

# pottery barn kids

## GIRAFFE CHAIR

### PRE-ASSEMBLY:

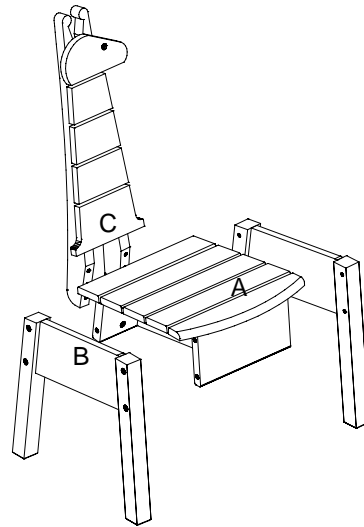
- Read all instructions before beginning assembly. The illustrations provided allow for easier assembly when used in conjunction with the assembly instructions.
- For your safety and ease, assembly by two adults is recommended.
- Remove all part and hardware from the box and lay out on a clean, carpeted, or scratch-free work surface. Use care as some parts or hardware may have sharp points or edges.
- Do not dispose of any contents until assembly is completed to avoid accidentally discarding small parts and hardware.
- Use the parts and hardware lists to identify and separate each of the pieces included.
- Note: Do not fully tighten all bolts until all parts are in place. Failure to follow these instructions may cause the bolts misalign during assembly.
- The use of power tools for assembly is not recommended. Power tools can damage hardware or split wood.

### PARTS INCLUDED:

- (A) Bench Seat (1)
- (B) Leg Frame (2)
- (C) Back Rest (1)

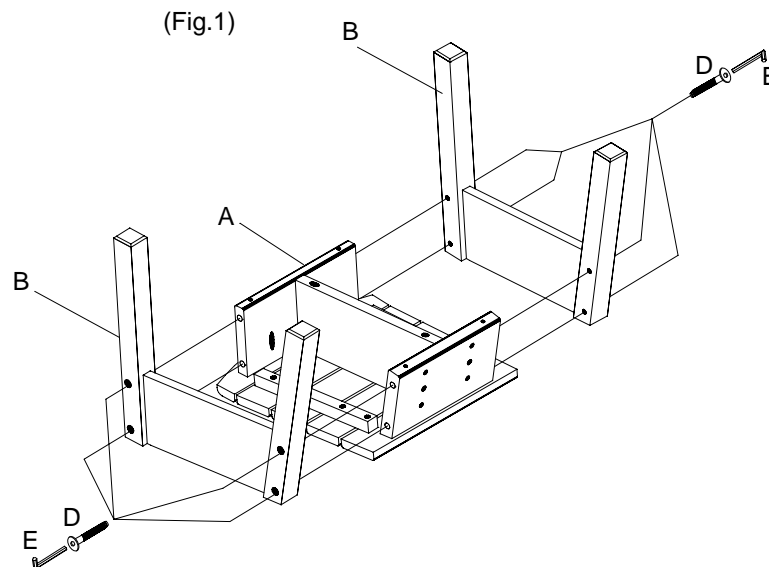
### HARDWARE INCLUDED:

- (D) Bolt 50mm (12)
- (E) 4mm Allen Key (1)

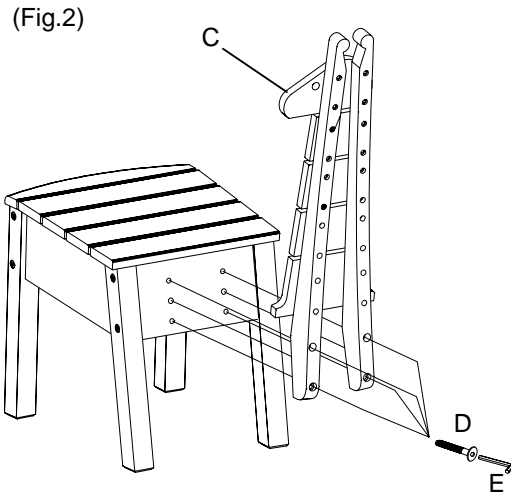


### ASSEMBLY INSTRUCTIONS:

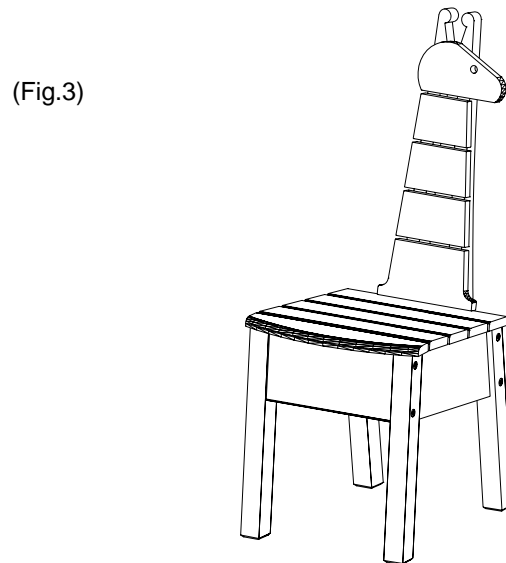
1. Carefully lay the seat (A) upside down on a carpeted or scratch-free surface. Attach the Leg Frames (B) to the Seat (A) with 4 bolts (D), using the Allen Key (E).



2. Turn chair upright. Attach the backrest (C) to seat (A) with 4 bolts (D), using the Allen Key (E), as shown in Figure 2. Do not fully tighten until all bolts are in place.



3. Assembly is complete.



**CARE INSTRUCTIONS:**

- For daily care wipe with a soft dry cloth. Blot Spills immediately and wipe with a clean dry cloth.
- Store in a dry, covered area when not in use.
- We do not recommend the use of chemical cleansers, abrasives, or furniture polish.
- Over time, the product may begin to gray. To nourish the wood, wash with soap and water. When dry, apply a coating of teak oil with a clean cloth. Remove excess oil by blotting with a soft, clean cloth.

Thank you for your purchase  
stores | catalog | [www.potterybarnkids.com](http://www.potterybarnkids.com)  
USA 1.800.290.8181