

pottery barn kids
BERKELEY CHANGING TABLE TOPPER



WARNING: FALL HAZARD - To prevent death or serious

injury from falls, always keep child within arm's reach.

- Read all instructions before use of the changing table. KEEP INSTRUCTIONS FOR FUTURE USE.
- Before each use check the changing table for damage, loose parts, or sharp edges. DO NOT use the changing table if it is damaged or broken.
- Set up this table to be level, stable, and structurally sound.
- This changing table may be used with or without a pad. The only pad approved for use with it is the Contour Changing Pad available for purchase from pottery barn kids. This pad is designed to be used in a space of at least 810 mm x 400 mm (32 inches x 16 inches). If used, place it within the rail-bounded changing area of the changing table.
- NEVER LEAVE THE CHILD UNATTENDED and always use the restraining system.

This changing table is intended for use with children weighing up to 50 pounds.

PRE-ASSEMBLY

- Please review all instructions before beginning assembly. The illustrations provided allow for easier assembly when used in conjunction with the assembly instructions.
- For your safety, assembly by two adults is required.
- Remove all parts and hardware from box and lay out on a carpeted or scratch-free work surface, as this will avoid damaging any parts during assembly. The shipping box provides an ideal work surface. Do not dispose of any contents until assembly is completed to avoid accidentally discarding email parts or hardware.
- Use the parts and hardware lists to identify and separate each of the piece included.
- Note: do not fully tighten all bolts until all parts are in place. Failure to follow these instructions may cause the bolts to misalign during assembly.
- The use of power tools for assembly is not recommended. Power tools can damage hardware or split wood.

HARDWARE:

A – Metal plate 94x20x10mm (x2)

B – Phillips head screw 6x15mm (x6)

PARTS INCLUDED:

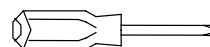
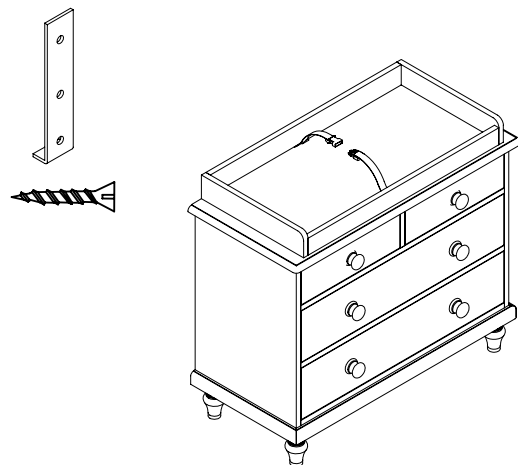
C — Changing Table Topper

PARTS REQUIRED:

D – Berkeley Dresser

TOOLS REQUIRED:

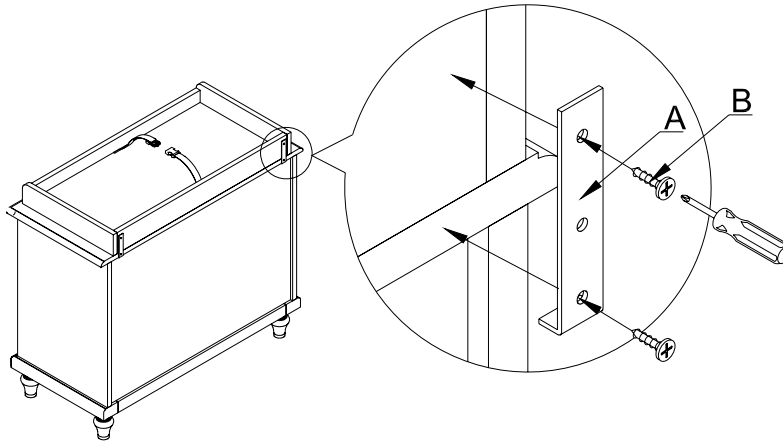
Phillips head screwdriver (not included)



ASSEMBLY:

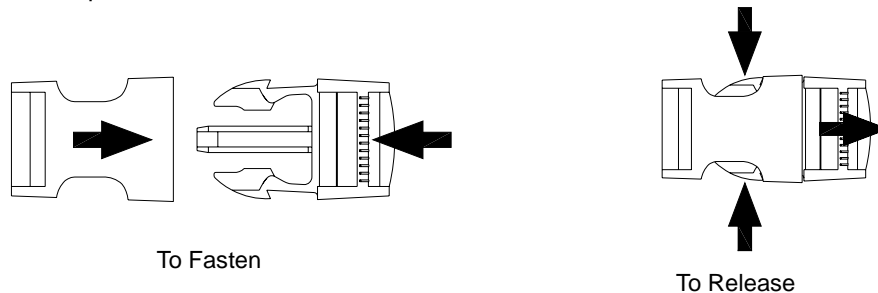
1. Place the changing table topper on short dresser in upright position, as shown. Attach the (A) metal plates to the back edge of the topper by inserting the (B) small Phillips head screw.

(Fig. 1)



2. Adjust the restraint strap to fit baby's body. To fasten restraint strap, insert the buckle as shown in Figure 2. To release, press inward on tabs.

(Fig. 2)



3. As a safety precaution, please follow the instructions enclosed to secure the changing table to the wall using tipping-restraint kit included.
4. If the piece does not sit level, determine which corner does not touch the ground correctly. With two people follow these steps:
 - Carefully elevate the item slightly to provide access to the levelers attached to the bottom.
 - Turn the levelers in a counter-clockwise direction or clockwise direction as needed.
 - Gently set down the piece and check stability.
 - Repeat steps until the furniture sits firmly on the ground

CARE INSTRUCTIONS:

- Dust often using a clean, soft, dry lint-free cloth.
- Blot spills immediately, and wipe with a clean, damp, cloth.
- We do not recommend the use of chemical cleansers, abrasives, or furniture polish on our lacquered finish.
- Check fasteners periodically for tightness. DO NOT over tighten. This may cause distortion or breakage.
- Parents should ensure a safe environment for the child by checking regularly, before placing the child in the product, that every component is properly and securely in place.

Thank you for your purchase
stores | catalog | www.potterybarnkids.com
USA 1.800.290.8181