

# pottery barn kids

## chesapeake bench

**CAUTION** : Adult assembly required. This item contains small parts in the unassembled state and care should be taken in the unpacking and assembly of the product.

### PRE ASSEMBLY

- Please read all instructions before beginning assembly.
- For ease of assembly two people are recommended.
- Save all packing materials until assembly is complete to avoid accidentally discarding smaller parts or hardware.


### PARTS INCLUDED:

(A) Bench Top - 1pc

(B) Legs - 4pcs

### HARDWARE ENCLOSED:

(C) Washer  $\text{Ø}17/8 \times 2 \text{ mm}$   - 4pcs

(D) Spring Washer  $\text{Ø}14/8 \times 2 \text{ mm}$   - 4pcs

(E) Nut #12 mm  - 4pcs

(F) Wrench #12 mm  - 1pc

### ASSEMBLY INSTRUCTIONS:

1. Lay Bench Top (A) upside down on a soft flat surface, such as a rug or carpet.
2. Insert the bolt of one of the Legs (B) through the hole in the corner on the underside of Bench Top (A). (Fig. 1)
3. Place a Washer (C), a Spring Washer (D) and a Nut (D) over the bolt and loosely tighten the connection with the Wrench (F) provided. (Fig. 1)
4. Repeat Steps 2 and 3 with the remaining Legs (B) and completely tighten all the connections.
5. Bring bench to an upright position and re-tighten all connections if necessary. (Fig. 2)

Fig. 1

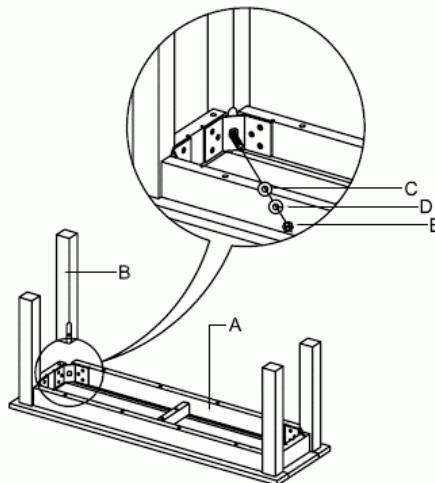
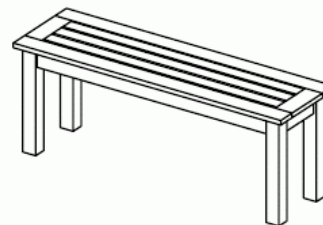


Fig. 2



### CARE INSTRUCTIONS:

- For daily care wipe with a soft dry cloth. Wipe spills with clean, dry cloth. Avoid the use of harsh cleaners and abrasive.
- Should the finish of outdoor furniture change year over year, apply teak oil or your choice of furniture stain to restore the natural luster and beauty of the wood. For maximum results, we recommend carefully following the labeled instructions for correct applications of the teak oil or furniture stain you choose to purchase.
- Store in a dry, covered area when not in use.