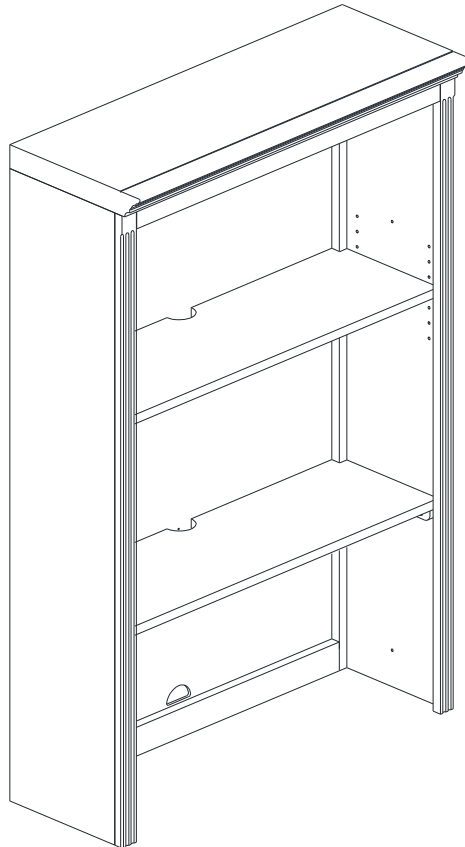


POTTERYBARN



LIVINGSTON DOUBLE BOOKCASE HUTCH

Date : 30-March-16

Rev :-

www.potterybarn.com

Important Safety Instructions:

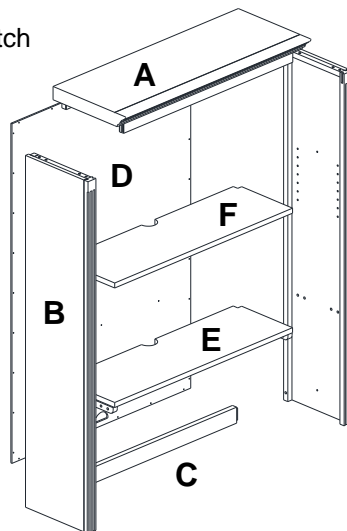
- Please read all instructions carefully before assembling.
- For your safety, assembly by two or more adults is strongly recommended.
- Keep instructions for future use.
- Use only vendor supplied hardware to assemble. Using unauthorized hardware could jeopardize the structural integrity of the item.
- The Livingston Double Bookcase Hutch is designed for use with Livingston Double Lateral File or Double Glass Cabinet.

Pre-assembly:

- Remove all parts and hardware from the box and lay out on a clear carpeted or scratch-free work surface, as this will avoid damaging parts during assembly. The shipping box provides an ideal work surface.
- Do not dispose of any packaging or contents of the shipping carton until assembly is completed to avoid accidentally discarding small parts or hardware.
- Use the parts and hardware lists below to identify and separate each of the pieces included.
- The illustrations provided allow for easier assembly when used in conjunction with the assembly instructions.
- The use of power tools to aid in assembly is not recommended. Power tools can damage hardware and split wood.

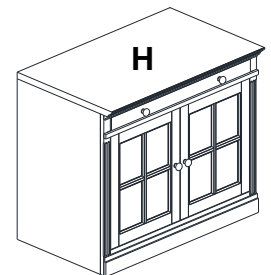
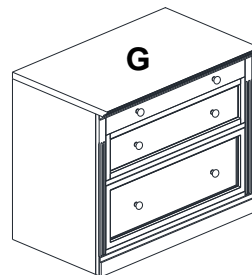
Parts Enclosed:

- Livingston Double Bookcase Hutch
 - ⇒ (A) Top Panel – 1x
 - ⇒ (B) Side Panel – 2x
 - ⇒ (C) Bottom Rail – 1x
 - ⇒ (D) Back Panel – 1x
 - ⇒ (E) Fixed Shelf – 1x
 - ⇒ (F) Adjustable Shelf – 1x

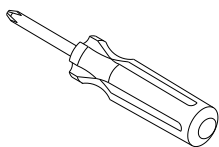


Needed for assembly:

- Livingston Double Lateral File and Double Top (G)
- Livingston Double Glass Cabinet and Double Top (H)



Tool Required:



Hardware Enclosed:

I. Allen Bolts 1/4" x 1 1/4" – 8x	J. Allen Bolts 1/4" x 2" – 6x	K. Curved Washers – 6x	L. Spring Washers – 6x
M. Bolts Connector – 3 Set	N. Allen Key M4 – 1x	O. Mending Plate – 2x	P. Bolt JF 5/32" x 1/2" – 4x
Q. Shelf Pins – 4x	R. Screw 6 x 3/4" – 30x	S. Drill – 1x	

1. Carefully lay the one Side Panel (B) on a flat, scratch-free or carpeted surface. Attach the Fixed Shelf (E) by inserting dowels on the fixed shelf into the holes on the Side Panel (B) shown in **fig. 1**.
2. Insert the Allen Bolts (I) through the holes on the cleat of the Fixed Shelf (E) into the insert on the Side Panel (B), tighten with the Allen Key (N) as shown in **fig. 1, illustration. 1**.
3. Attach the Bottom Rail (C) to the Side Panel (B). Place Spring Washers (L), Curved Washers (K) onto the Allen Bolts (J) through the holes on the cutout of the Bottom Rail (C) into the insert on the Side Panel (B) as shown in **fig. 2 illustration. 2**.

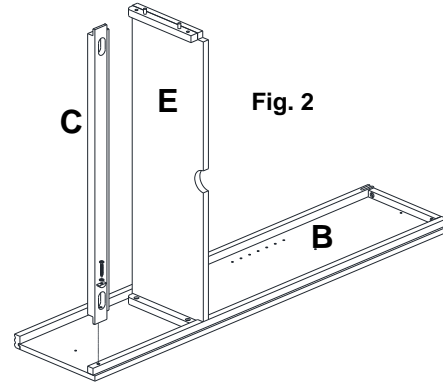
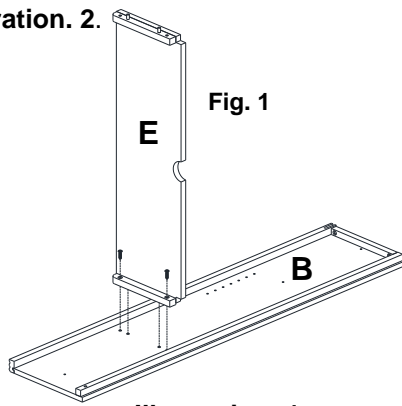
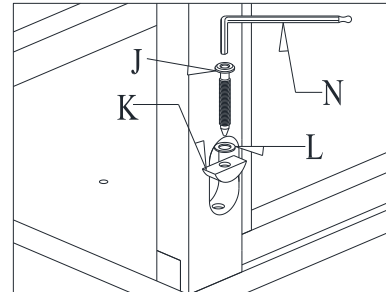
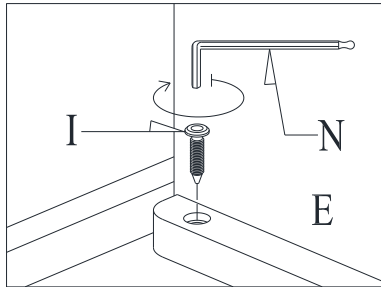


Illustration. 1

Illustration. 2



4. Attach the other Side Panel (B) repeat step 2 & 3 as shown in **fig. 3, illustration. 2 & 3**.
5. Attach the Top Panel (A) by inserting dowels on the Side Panels (B) into the holes on the Top Panel (A). Insert the Allen Bolts (I) through the holes on the cleat of the Side Panels (B) into the inserts on the Top Panel (A), tighten with the Allen Key (N) as shown in **fig. 4, illustration. 3**.
6. Place Spring Washers (L), Curved Washers (K) onto the Allen Bolts (J) through the holes on the cutout of the wood support of the Top Panel (A) into the inserts on the Side Panels (B) as shown in **fig. 4 illustration. 4**.

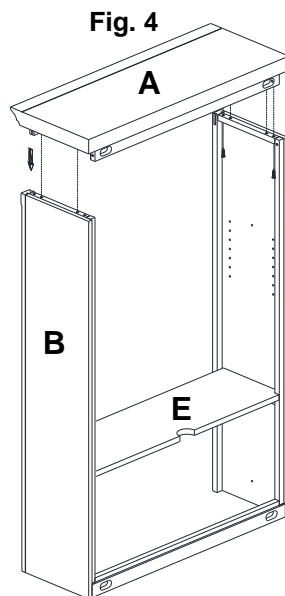
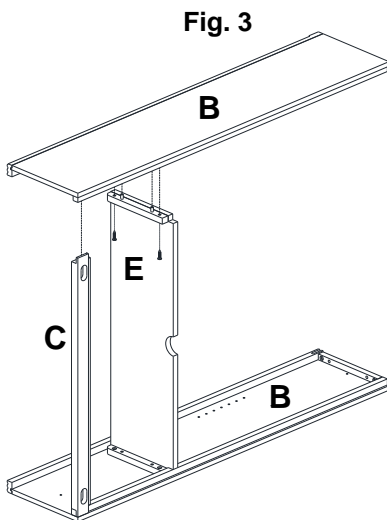


Illustration. 3

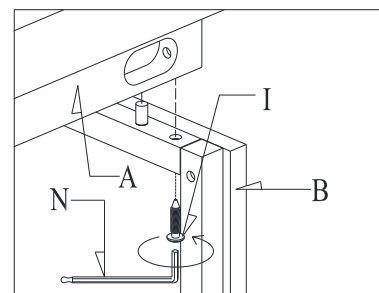
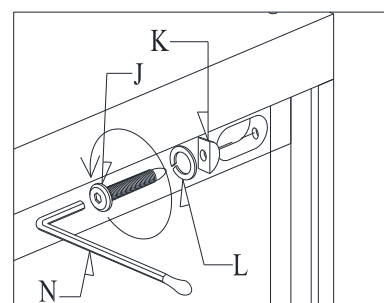


Illustration. 4



7. Attach the Back Panel (D) to the cabinet, insert Screws (R) into the pre-drilled holes on the back panel. Tighten with a Screwdriver (not included) as shown in **fig. 5, illustration. 5**.
8. Attaching Adjustable Shelves as shown in **fig. 6, illustration. 6 & 7**:
 - Determine desired height for Shelf (F), insert the Shelf Pins (Q) in the pre-drilled holes located on the side panels of the cabinet until they are fully secure.
 - Put the Shelf (F) into the cabinet by inserting the shelf “diagonally”. Place adjustable Shelf (F) onto the Shelf Pins (Q). Make sure the shelves are stable.

Fig. 5

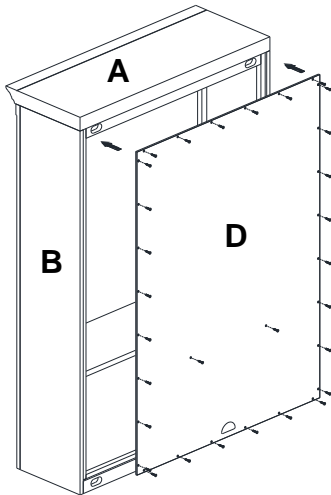


Illustration. 5

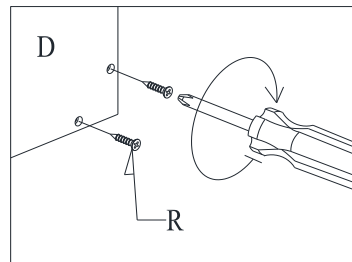


Fig. 6

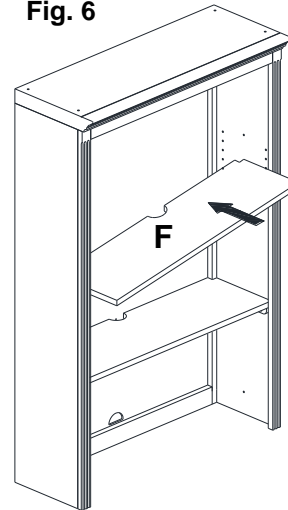


Illustration. 6

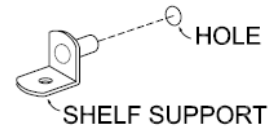
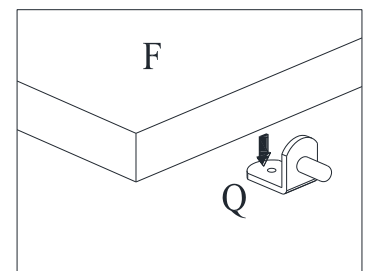


Illustration. 7



Assembly Instructions:

Livingston Double Hutch with Double Lateral File and Double Top (G) or Livingston Double Glass Cabinet and Double Top (H) :

1. Lay Double Bookcase Hutch on the Double Lateral File (G) or Double Glass Cabinet (H) as shown in **fig. 7**.
2. Align the holes on the back of the Double Hutch with the holes on the back of the Double Lateral File or Double Glass Cabinet. Attach Mending Plates (O) by Inserting the flat Head Bolts (P) through the holes on the Mending Plate (O) as shown in **fig. 7, illustration. 8**. Tighten with a screwdriver (not included).

Fig. 7

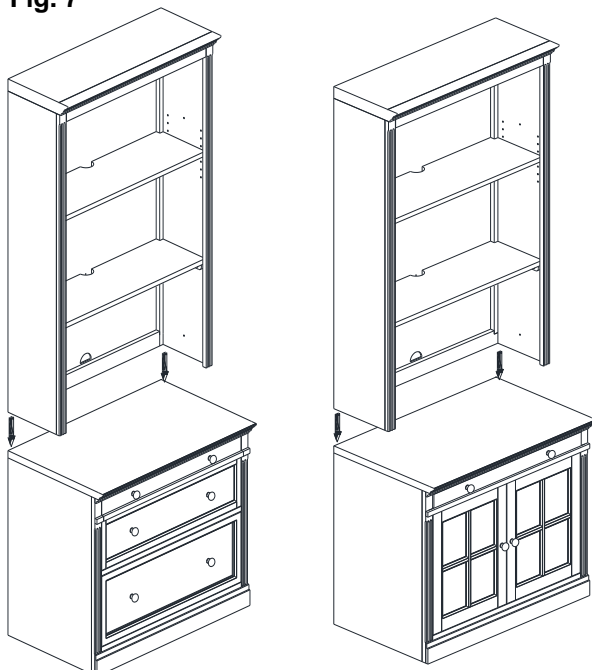


Fig. 8

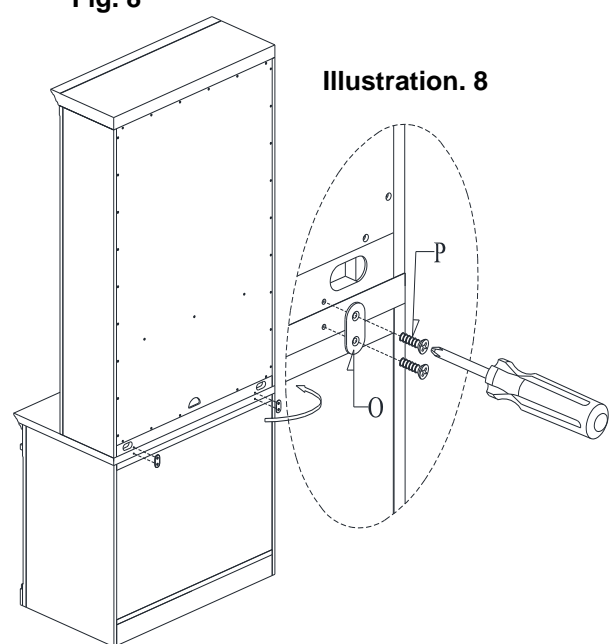


Illustration. 8

Livingston Double Hutch, Double Lateral File and Double Top with Livingston Single Hutch, Single Drawer Pedestal and Single Top.

- Position Livingston Modular items at the desired location.
- Use Drill Bit (S) to penetrate the pre-drilled holes on the side panels of the furniture that will be connected together as shown in **fig. 9, illustration. 9.**
- Align the holes of each item with other and insert the connector bolts (M & M') then tighten with a screwdriver (Not Included) as shown in **fig. 10, illustration. 10.**

Fig. 9

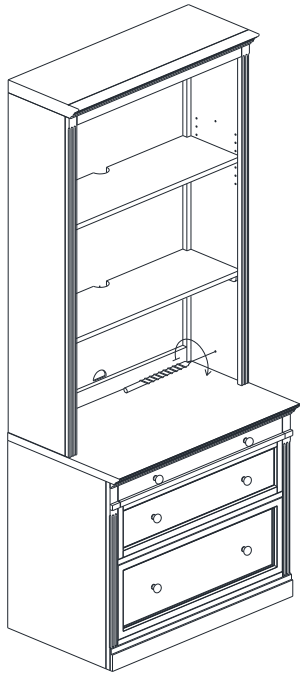


Illustration. 9

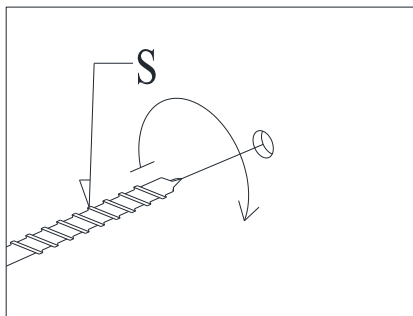


Fig. 10

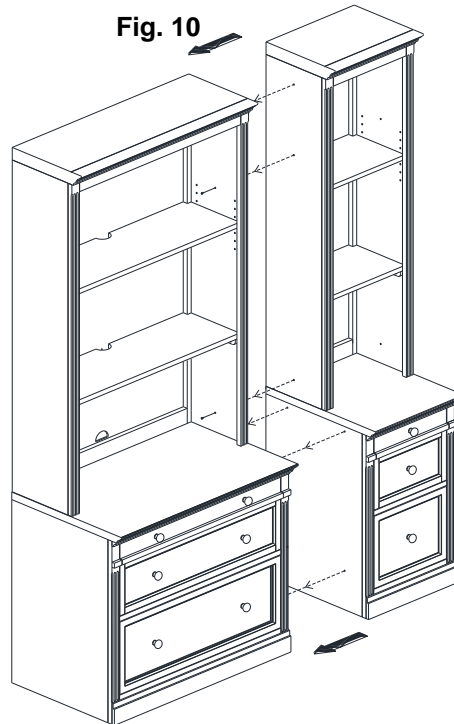
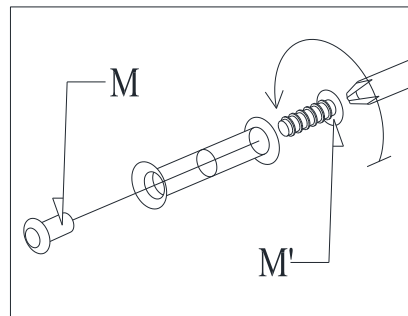


Illustration. 10



Care Instructions:

- Dust often using a clean, soft, dry and lint-free cloth.
- Blot spills immediately and wipe with a clean, damp, cloth.
- We do not recommend the use of chemical cleansers, abrasives or furniture polish on our lacquered finish.