

pottery barn kids

Doll Kitchen

For age 3 years and up



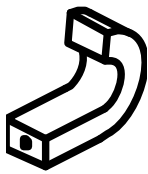
CAUTION: Adult Assembly required.

This item contains small parts in the unassembled state and care should be taken in the unpacking and assembly of the product. CHOKER HAZARD

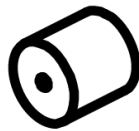
Caution – Assembly required. Please read assembly instructions carefully before beginning. Please take care when unpacking loose parts.

DO NOT USE power tools to assemble. Keep these small parts out of the reach of children!

PARTS INCLUDED:



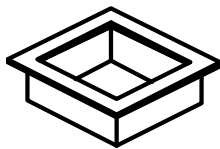
(A) Sink Faucet x 1



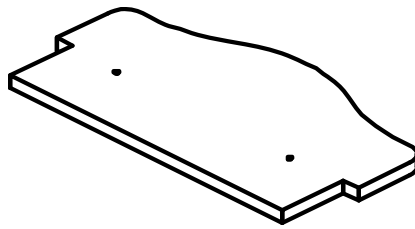
(B) Faucet Knob x 2



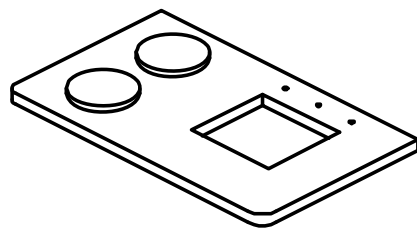
(C) Door Handle x 1



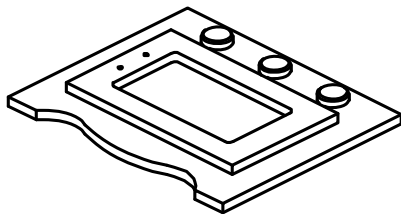
(D) Sink x 1



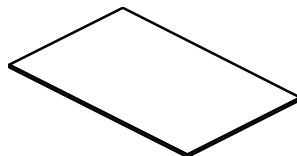
(E) Front Panel x1



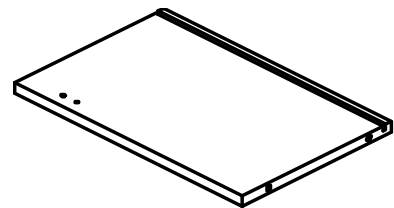
(F) Counter Top x 1



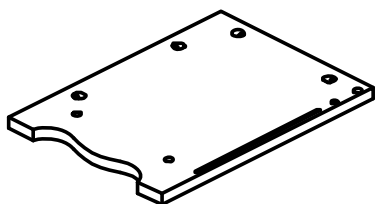
(G) Oven Door x 1



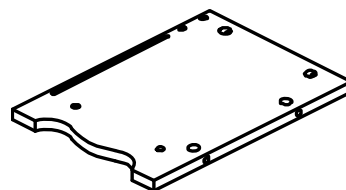
(H) Back Panel x 1



(I) Base Panel x 1



(J) Left Panel x 1



(K) Right Panel x 1

HARDWARE INCLUDED:



(L) Screw-Post x 14



(M) Cam Lock x 14



(N) Dowel x 2



(O) Short Screw x 4



(P) Long Screw x 4



(Q) Machine Screw x 3



(R) Latch Plate x 1

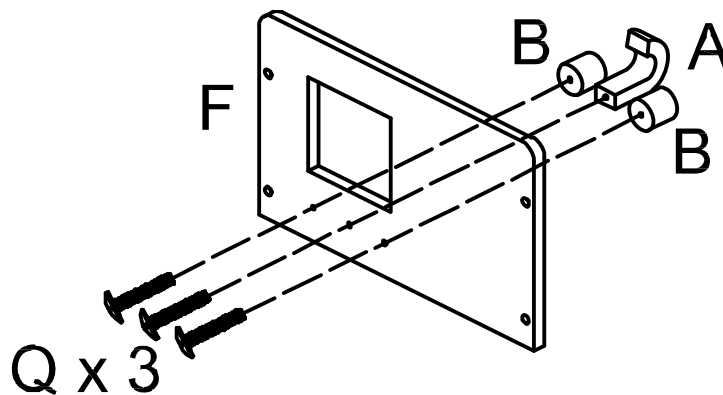


(S) Door Latch x 1

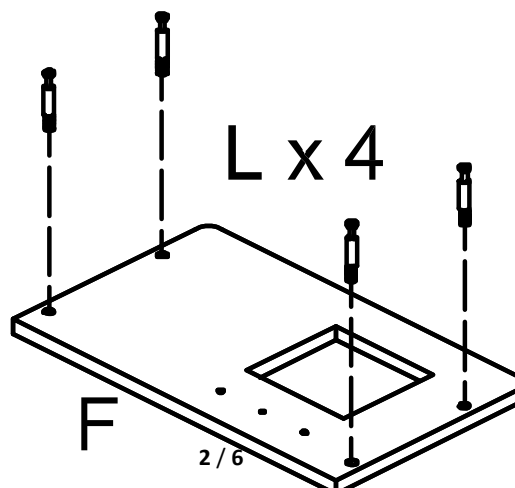
TOOLS REQUIRED (NOT INCLUDED): Phillips-Head Screwdriver, Flat-Head Screwdriver

ASSEMBLY INSTRUCTIONS

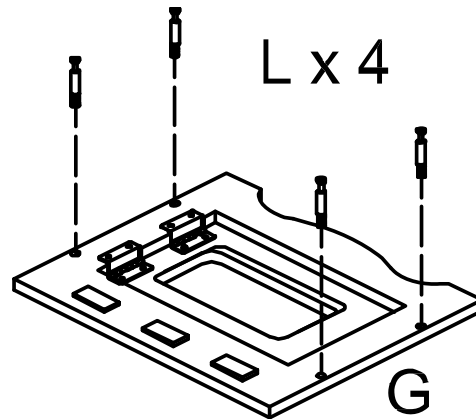
Step 1: Countertop (F) includes a top surface (the side with the two burners) and a rear surface. There is a square cutout for later receiving Sink (D) and three small holes along a rear edge of the square cutout. Secure Faucet (A) to the top surface of Countertop (F) using one of the three provided Machine Screws (Q) (pass the screw through the center hole from the rear surface of the countertop. Hold the faucet straight over the square cutout and then use a screwdriver to tighten the screw until the faucet is tight. Then, in a similar manner, use the remaining two Machine Screws (Q) and the screwdriver to secure Faucet Knobs (B) to countertop (F), one on each side of the faucet, as illustrated below.



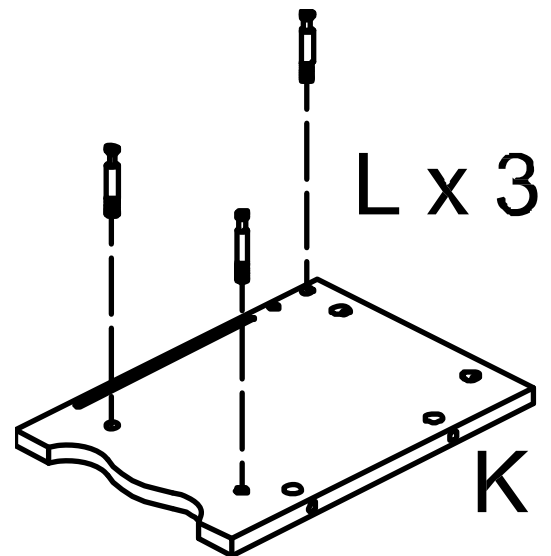
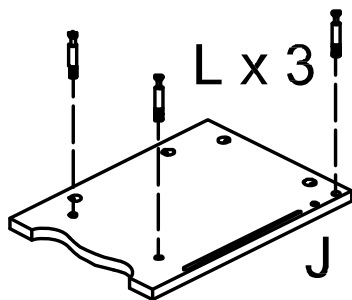
Step 2: Use the screwdriver to carefully secure a Screw Post (L) into each of the four pilot holes located along the perimeter of Countertop (F), as illustrated below.



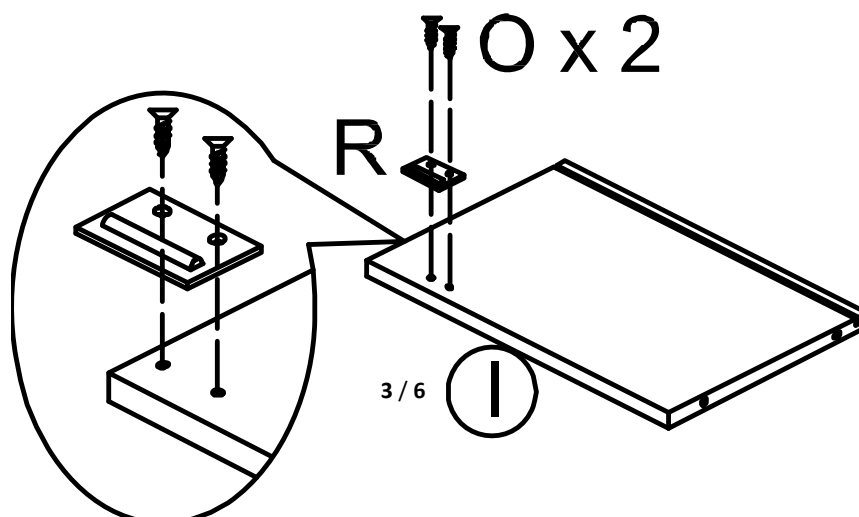
Step 3: Now do the same thing with Oven Door (G) - use the screwdriver to carefully secure a Screw Post (L) into each of the four pilot holes located along the perimeter of Oven Door (G) (on the inside surface - the same side as the door hinges), as illustrated below.



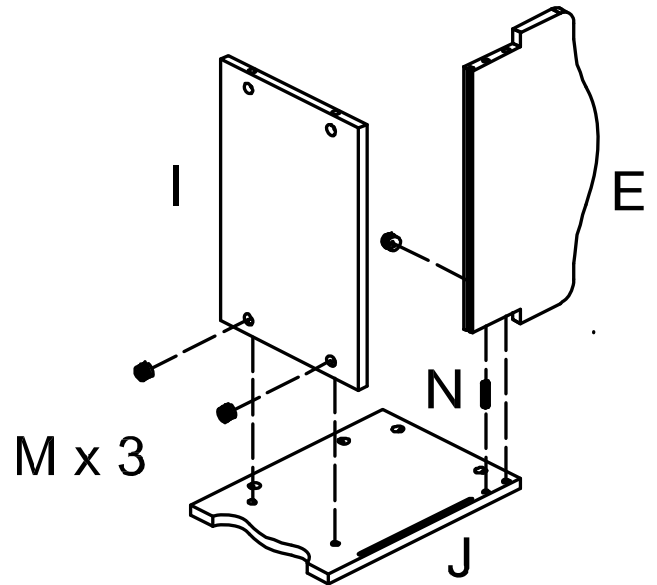
Step 4: Repeat this process by securing three more of the Screw Posts (L) to the inside surfaces of both the Left Panel (J) and Right Panel (K), as shown below (use the below illustrations to identify the locations of the pilot holes in each panel).



Step 5: As you can see, Base Panel (I) includes a rear edge channel and two small pilot holes. Align the two holes of Latch Plate (R) with the two pilot holes located on the inside surface of Base Panel (I). These holes are located opposite the rear edge channel - make sure to align the ridge of the plate as shown in the below illustration, close to the front panel edge. Then, use a screwdriver to secure the small latch plate to the panel using the very small Screws (O). Do not over-tighten these screws.

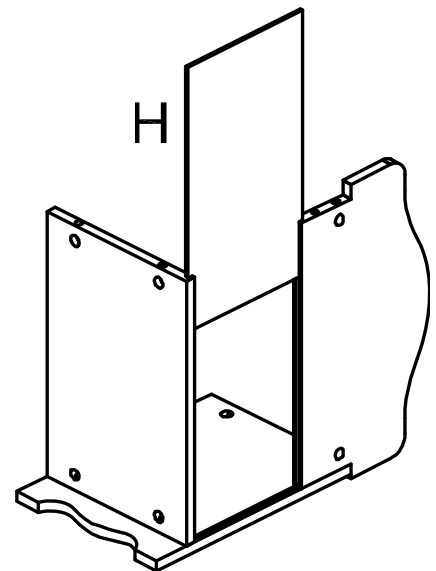


Step 6: Lay Left Side Panel (J) down on a flat surface so that the three Screw Posts (L) face up. Position Base Panel (I), as shown below, so that its rear edge channel aligns with the rear edge channel located on the side panel and so that two of the screw posts pass into two holes located along the edge of the base panel. Hold the panels steady and then insert a Cam Lock (M) into each of the large holes located adjacent to the two screw posts. Use a flat screwdriver to rotate each cam lock clockwise until tight. This action will effectively secure the two panels together.



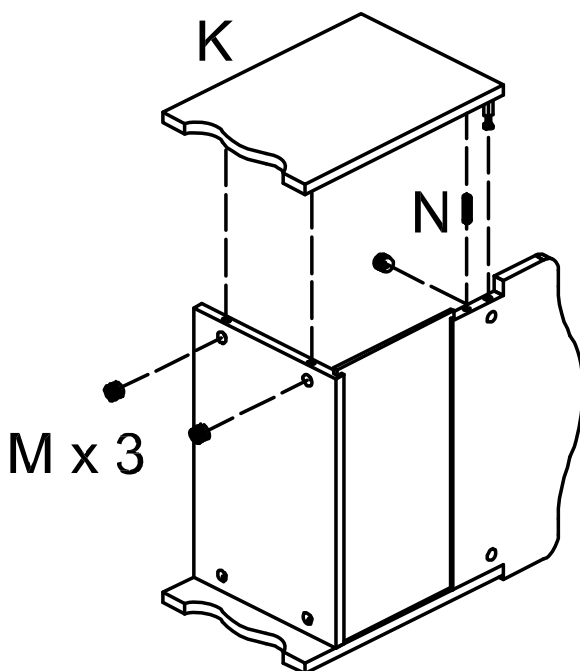
Repeat this process to secure Front Panel (E) to Left Side Panel (J), as illustrated. You have to insert a Wood Dowel (N) into the hole located next to the third screw post. Insert a Cam Lock (M) into the large hole located next to the screw post and tighten using the screwdriver.

Step 7: Slide Back Panel (H) into the aligned rear edge channels of Left Side Panel (J), Front Panel (E), and Base Panel (I), as shown. Then insert the second Dowel (N) into the edge hole of Front Panel (E) - the hole that is closest to Back Panel (H), as shown below.



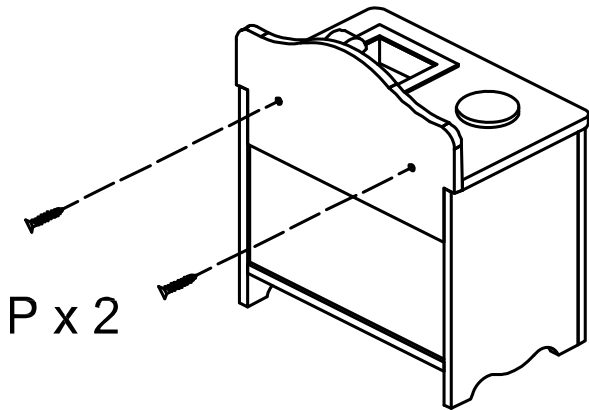
Step 8: Position Right Side Panel (K) onto the structure so that it mirrors Left Side Panel (J) and so that the three screw posts of the Panel (K) pass into the three edge holes of Front Panel (E) and Base Panel (I). You may have to wiggle the Panel (K) a bit to get

it to settle into place. Once in position, insert Cam Locks (M) into the large holes located in Back Panel (H) and Front Panel (E). Use a flat screwdriver to rotate each Cam Lock clockwise until tight.

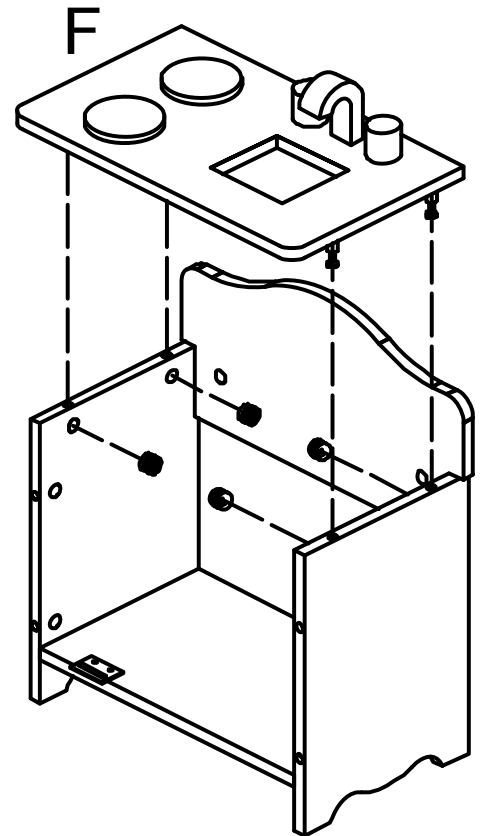


Step 9: Position the assembled structure upright, as shown, and place Countertop (F) from Step (1) onto the structure, so that the four screw posts of Countertop (F) fit within the edge holes of Left and Right Side Panels. Use four Cam Locks (M) and the flat blade screwdriver to secure each screw post, as shown.

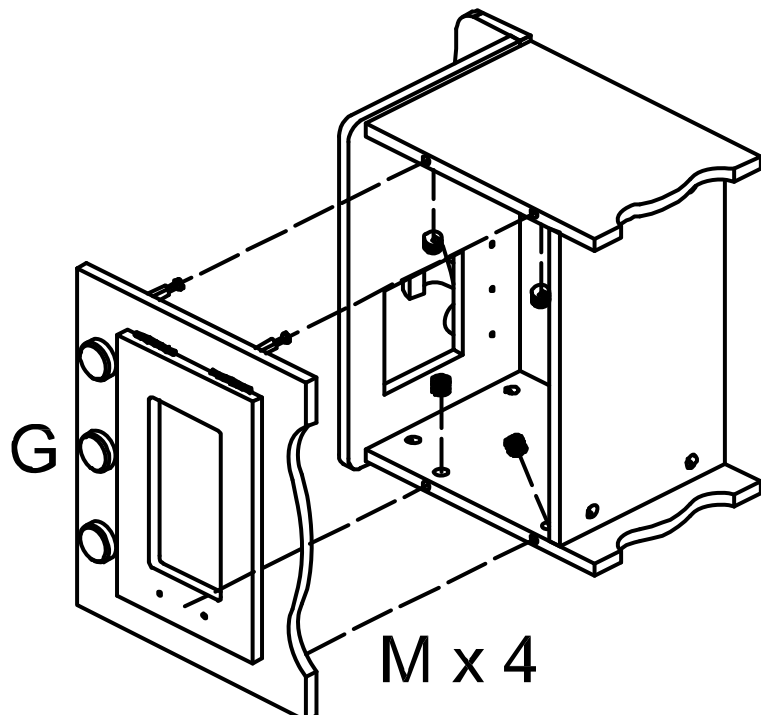
Step 10: Insert Two Long Screws (P) into the two holes located on the back of Front Panel (E). Use a screwdriver to tighten.



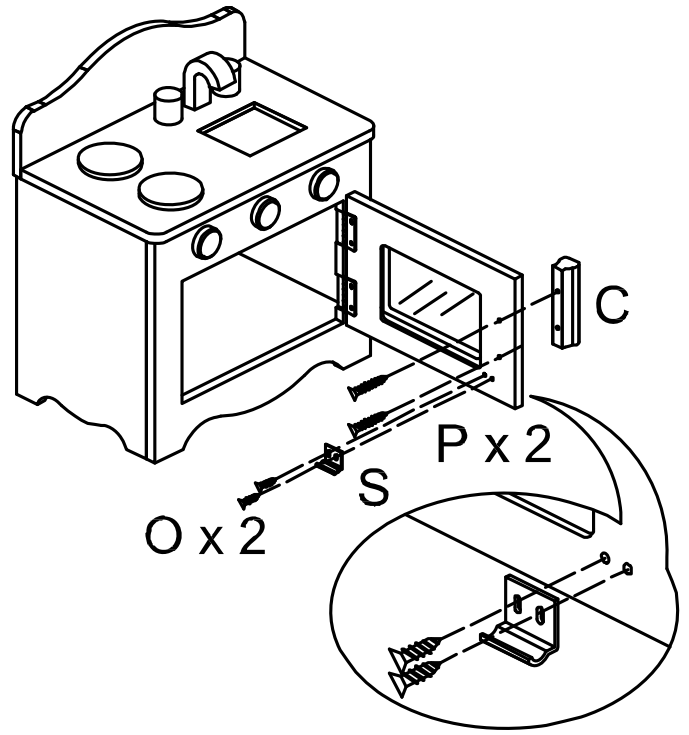
M x 4



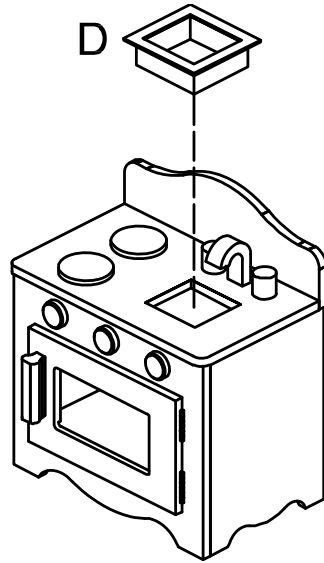
Step 11: Place Oven Door (G) from Step (3) onto the structure, so that the four screw posts of the oven door fit within the front edge holes of Left and Right Side Panels. Use four Cam Locks (M) and the flat blade screwdriver to secure each screw post, as shown. Note that you'll have to open the door to access the cam locks.



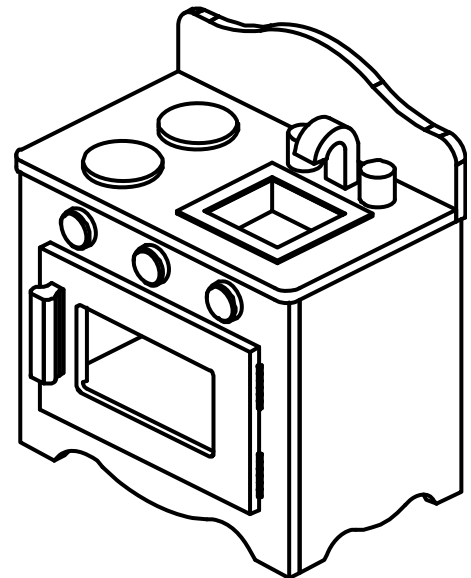
Step 12: Use Short Screws (O) and a screwdriver to secure Door Latch (S) to the inside surface of the oven door, as shown below. Make sure that the latch is oriented as shown in the enlarged inset. Use Screws (P) and the screwdriver to secure Handle (C) to the outside surface of the oven door, as shown.



Step 13: Insert Sink (D) into the countertop .



Step 14: Fully tighten all the screws before using the Doll Kitchen.
The below illustration shows the finished Doll Kitchen.



CARE INSTRUCTIONS

- Use furniture wax as needed
- Do not use abrasives or solvent cleaners
- Wipe up spills immediately
- Dust with a soft dry cloth

Thank you for your purchase
Stores/ catalog/ www.potterybarnkids.com
USA 1.800.290.8181