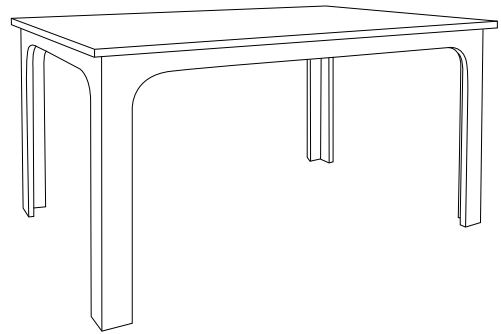




NICO & YEYE

KIDS CRAFT TABLE

TCRA01



PRE-ASSEMBLY:

- Adult assembly required.
- Please review product assembly manual before using and or attempting to assemble furniture.
- Please review our Warnings and Warranty manual.
- Remove all parts and hardware from the box and lay out on a flat, carpeted, or scratch-free surface, this will avoid damaging any parts during assembly. Do not dispose of any contents until assembly is completed to avoid accidentally discarding.
- Do not fully tighten all bolts until all parts are in place. Failure to follow these instructions may cause the bolts to misalign during assembly.
- If using power tools to aid in assembly please use caution. Power tools can damage hardware or split wood.

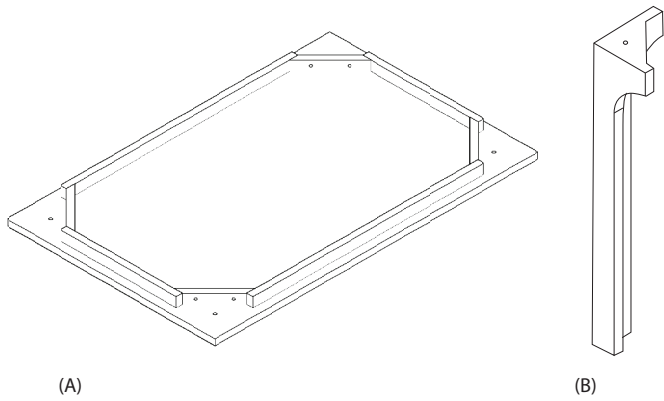
CUSTOMER SERVICE

If you are missing parts or have any questions about this product, please contact us at hello@nicoandyeye.com or (866) NIC YEYE

ASSEMBLY INSTRUCTIONS

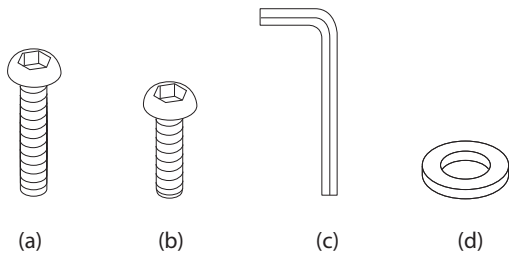
PARTS IDENTIFIER

NOTE: PARTS NOT SHOWN TO ACTUAL SIZE



PARTS

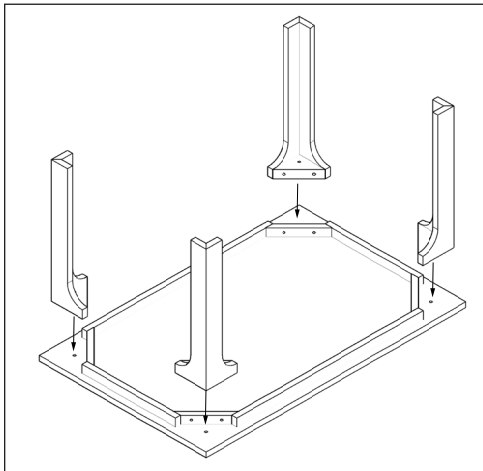
PART	DESCRIPTION	QUANTITY
A	Craft Table Top	1
B	Table leg	4



HARDWARE

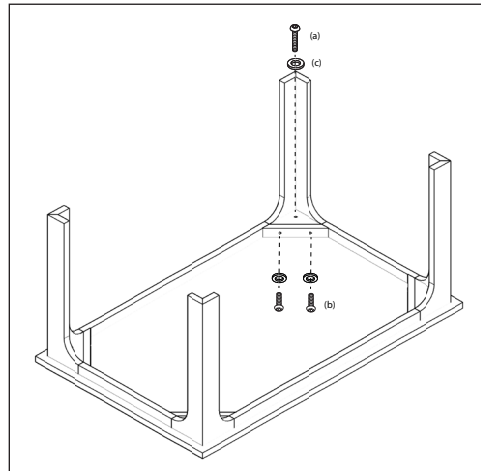
PART	DESCRIPTION	QUANTITY
a	Long Bolt 1 1/2"	4
b	Short Bolt 1"	8
c	Allen Key	1
d	Washer	12

1



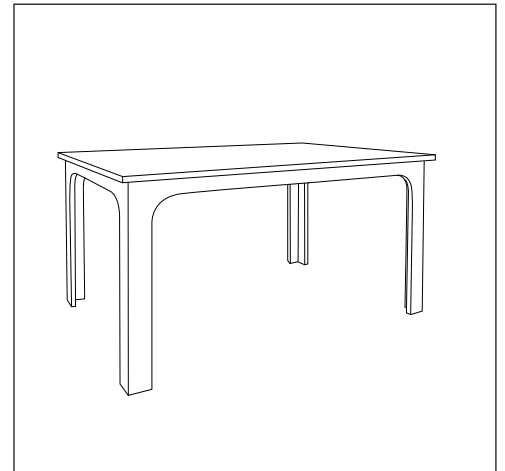
Lay table top (A) on level ground and align table legs (B) as see in image.

2



Screw table legs (B) to table top (A) with long bolt (a) + washer (d), and two short bolts (b) + washer (d) on each side using an Allen Key (c).

3



You are done!

CUSTOMER SERVICE

If you are missing parts or have any questions about this product, please contact us at hello@nicoandyeye.com or (866) NIC YEYE