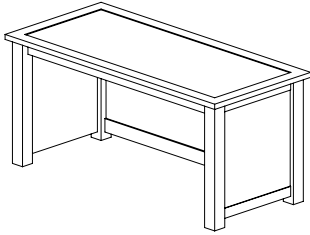


pottery barn kids

CAMERON PLAY TABLE

IMPORTANT SAFETY INSTRUCTIONS:






Please read all instructions carefully before assembling.
For your safety, assembly by two adults is recommended.



PARTS INCLUDED

- (A) Table Top - 1pc
- (B) Left Side Panel - 1pc
- (C) Right Side Panel - 1pc
- (D) Rear Stretcher - 1pc
- (E) Center Stretcher - 1pc
- (F) Front Panel - 1pc

HARDWARE ENCLOSED

- (G) Allen Key  - 1pc
- (H) Bolt 1/4" x 25mm  - 8pcs
- (I) Spring Washer 1/4"  - 8pcs
- (J) Flat Washer 1/4"  - 8pcs
- (K) Wood Screw 4x30mm  - 14pcs

TOOLS REQUIRED:

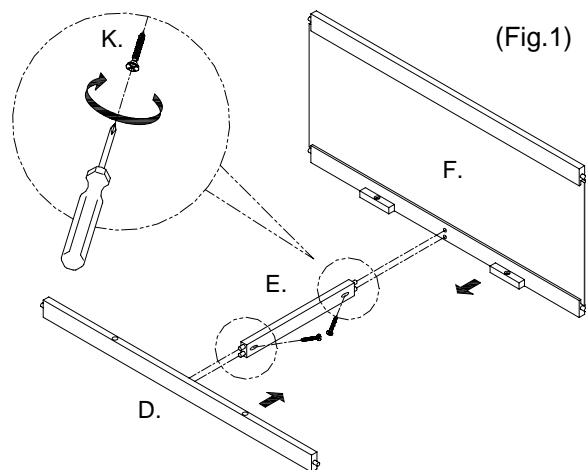
Philips Head Screwdriver (not included)

PRE-ASSEMBLY:

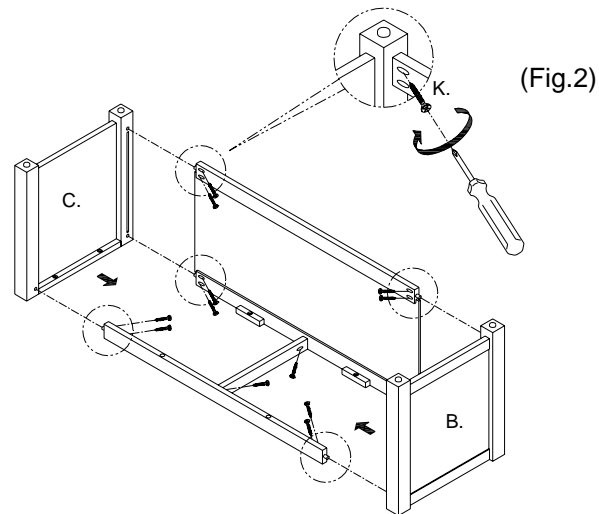
- Remove all parts and hardware from the box and lay out on a clean, carpeted, or scratch-free work surface, as this will avoid damaging any parts during assembly. The shipping box provides an ideal work surface. Do not dispose of any contents until assembly is completed to avoid accidentally discarding small parts or hardware.
- Use the parts and hardware lists above to identify and separate each of the pieces included.
- The illustrations provided allow for easier assembly when used in conjunction with the assembly instructions.
- Note: Do not fully tighten all bolts until all parts are in place. Failure to follow these instructions may cause the bolts to misalign during assembly.
- If using power tools to aid in assembly please use caution. Power tools can damage hardware or split wood.

ASSEMBLY INSTRUCTIONS:

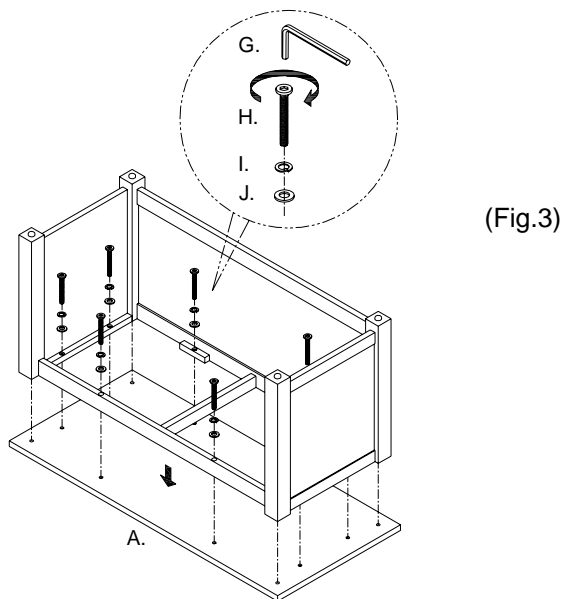
1. Connect the Front Panel (F) to Rear Stretcher (D) using the Center Stretcher (E). Secure using (2) Wood Screws (K). (Fig.1)



2. Attach the Right (C) and Left (B) Panels to the assembled piece from Step 1. Ensure the pieces are aligned and fasten with the remaining (12) Wood Screws (K) as shown. (Fig.2)



3. Place the Table Top (A) face-down on the work surface. Secure the assembled piece from Step 2 to the Table Top (A) using Bolts (H), Spring Washers (I) and Flat Washers (J) as shown. (Fig.3)



4. Carefully turn the table upright. Verify all connections are tightly fastened.

CARE INSTRUCTIONS:

- Dust often using a clean, soft, dry lint-free cloth.
- Bolt spills immediately, and wipe with a clean, damp, cloth.
- We do not recommend the use of chemical cleansers, abrasives, or furniture polish on our lacquered finish.

Thank you for your purchase.