

pottery barn kids

LARKIN CHANGING TABLE TOPPER



WARNING: FALL HAZARD - To prevent death or serious injury from falls, always keep child within arm's reach.

- Read all instruction before use of the changing table. KEEP INSTRUCTION FOR FUTURE USE.
- Before each use check the changing table for damage, loose parts or sharp edges. DO NOT use the changing table if it is damaged or broken.
- Set up this table to be level, stable, and structurally sound.
- This changing table may be used with or without a pad. The only pad approved for use with it is the Contour Changing Pad available for purchase from pottery barn kids. This pad is designed to be used in a space of at least 810 mm x 400 mm (32 inches x 16 inches). If used, place it within the rail-bounded changing area of the changing table.
- NEVER LEAVE THE CHILD UNATTENDED and always use the restraining system.

This Changing table is intended for use with children weighing up to 50 pounds.

Important Safety Message: Use only vendor-supplied hardware to assemble. Using unauthorized hardware could jeopardize the structural integrity of the item

PRE-ASSEMBLY:

- Please read all instructions before beginning assembly.
- For your safety and ease, assembly by two adults is recommended.
- Remove all parts and hardware from box and lay out on a carpeted or scratch-free work surface, as this will avoid damaging any parts during assembly. The shipping box provides an ideal work surface. Do not dispose of any contents until assembly is completed to avoid accidentally discarding small parts or hardware.
- Use the parts and hardware lists to identify and separate each of the pieces included.
- Note: Do not fully tighten all bolts until all parts are in place. Failure to follow these instructions may cause the bolts to misalign during assembly.
- The use of power tools for assembly is not recommended. Power tools can damage hardware or split wood..

PARTS INCLUDED:

(A) Changing Table Topper – 1pc

NOTE:

This Topper should be used in conjunction with the Larkin Sleigh Dresser (SOLD SEPARATELY)

HARDWARE ENCLOSED:

(B) Bracket – 2pcs
(C) CBS M4 x 16 mm – 8pcs
(D) Anti-Tip Kit – 1

NOTE:

Installation of Anti Tip Kit is required. Please refer to separate page for instruction.

TOOLS REQUIRED:

Phillips Head Screwdriver (not included)

Assembly Instructions:

1. Carefully place the Changing Table Topper (A) on top of the Larkin Dresser (SOLD SEPARATELY), taking care not to scratch or otherwise damage the dresser top. as shown in Figure 1.

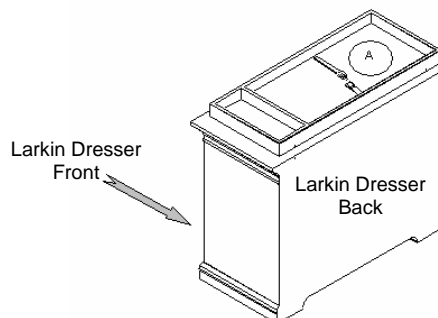
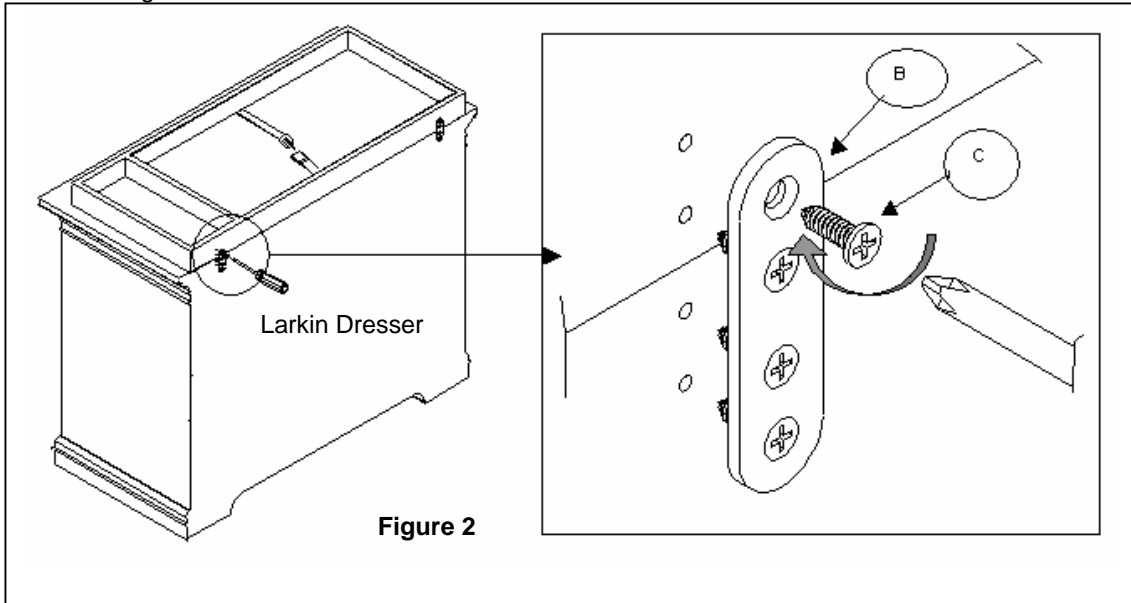


Figure 1

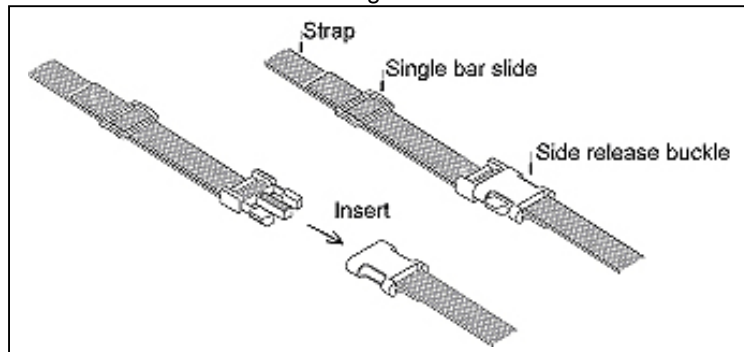
- Attach each of the Brackets (B) to the pre-drilled hole located on either side of back of the Topper and Dresser. Fasten each bracket with (4) CBS screws (C) using a Phillips head screwdriver (not included), as shown in Figure 2.



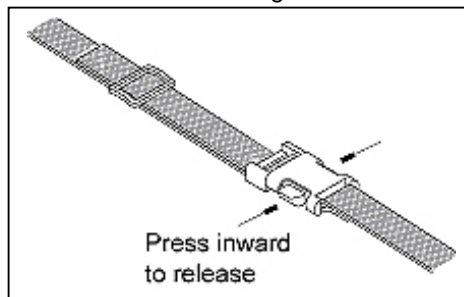
- Please follow the separate instruction to secure the changing table to wall using tipping-restraint kit included.
- Assembly complete.

RESTRAINING SYSTEM INSTRUCTION:

- Gently place baby onto table across restraining strap.
- Adjust the strap through single bar slide so that it fits baby's body.
- To fasten insert the buckle as shown in Figure 3.



- To release press inward on tabs as shown in Figure 4.



CARE INSTRUCTIONS:

- Dust often using a clean, soft, dry lint-free cloth.
- Blot spills immediately, and wipe with a clean, damp, cloth.
- We do not recommend the use of chemical cleansers, abrasives, or furniture polish on our lacquered finish.
- Parents should ensure a safe environment for the child by checking regularly, before placing the child in the product, that every component is properly and securely in place.

Thank you for your purchase
Stores | catalog | www.potterybarnkids.com
USA 1.800.290.8181