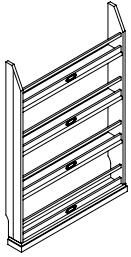


pottery barn kids

SCHOOLHOUSE BOOKRACK

IMPORTANT SAFETY INSTRUCTIONS:

Please read all instructions carefully before assembling.
For your safety, adult assembly by two people is recommended.





PARTS INCLUDED:

(A) Bookrack - 1pc

TOOLS REQUIRED:
Philips Head Screwdriver
(not included)

HARDWARE ENCLOSED:

(B) Short Wood Screw 4x25mm  - 4pcs

(C) Metal Anchor  - 4pcs

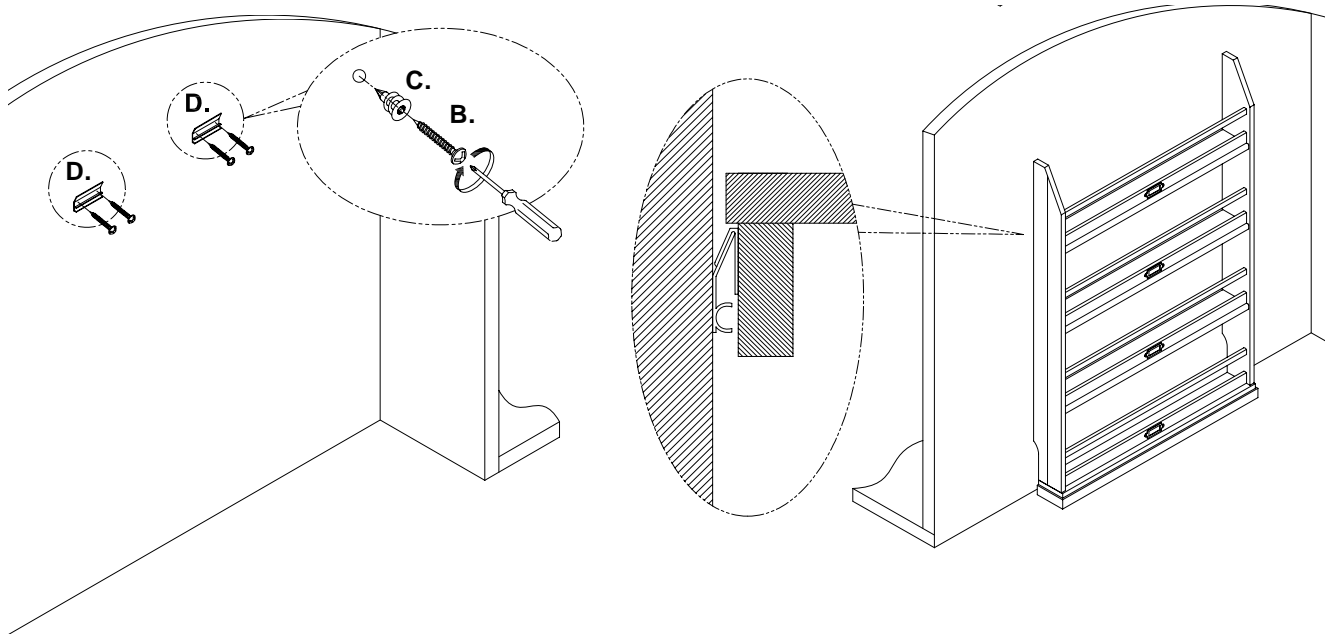
(D) Wall-side Bracket  - 2pcs

PRE-ASSEMBLY:

- Remove all parts and hardware from the box and lay out on a clean, carpeted, or scratch-free work surface, as this will avoid damaging any parts during assembly. The shipping box provides an ideal work surface. Do not dispose of any contents until assembly is completed to avoid accidentally discarding small parts or hardware.
- Use the parts and hardware lists above to identify and separate each of the pieces included.
- The illustrations provided allow for easier assembly when used in conjunction with the assembly instructions.
- Do not use power tools to insert the hardware. Power tools will damage the hardware, product, and walls.

WALL MOUNTING HARDWARE USAGE:

1. Secure the Wall-side Bracket (D) installing a Metal Anchor (C) into the holes and securing with Short Wood Screws (B) as shown. Do not "push" the anchor; it is designed to bore into the wall like a drill bit. Slowly turn the anchor clockwise while applying minimal pressure until the flange just touches the bracket. Repeat with the other anchor and insertion point. Each Wall-side Bracket is secured by two screws. Note: Product arrives with brackets already attached to the back of the piece.



CARE INSTRUCTIONS:

- Dust often using a clean, soft, dry lint-free cloth.
- Blot spills immediately, and wipe with a clean, damp, cloth.
- We do not recommend the use of chemical cleansers, abrasives, or furniture polish on our lacquered finish.

Thank you for your purchase
stores | catalog | www.potterybarnkids.com
USA 1.800.290.8181