

pottery barn kids

JULIETTE STORAGE DESK

ASSEMBLY INSTRUCTIONS



www.potterybarnkids.com

Important Safety Instructions:

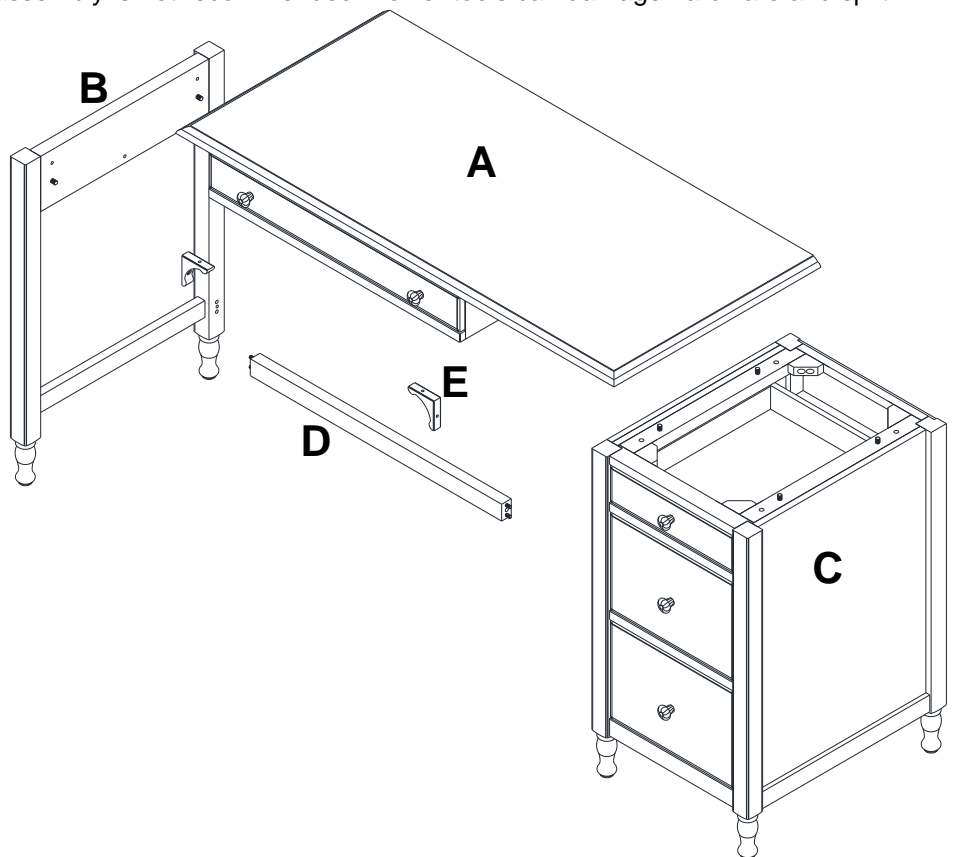
- Please read all instructions carefully before assembling.
- For your safety, assembly by two or more adults is strongly recommended.
- Keep instructions for future use.
- Use only vendor supplied hardware to assemble. Using unauthorized hardware could jeopardize the structural integrity of the item.

Pre-assembly:

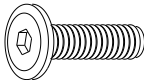

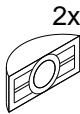

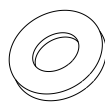
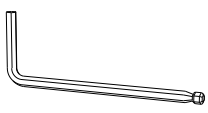
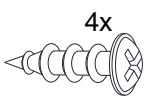
- Remove all parts and hardware from the box and lay out on a clear carpeted or scratch-free work surface, as this will avoid damaging parts during assembly. The shipping box provides an ideal work surface.
- Do not dispose of any packaging or contents of the shipping carton until assembly is completed to avoid accidentally discarding small parts or hardware.
- Use the parts and hardware lists below to identify and separate each of the pieces included.
- The illustrations provided allow for easier assembly when used in conjunction with the assembly instructions.
- The use of power tools to aid in assembly is not recommended. Power tools can damage hardware and split wood.

Parts Included:

- (A) Top - 1pc
- (B) Left End Panel - 1pc
- (C) Right Frame - 1pc
- (D) Bottom rail - 1pc
- (E) Decoration - 2pcs



Hardware Included:

<p>(F) Bolt M6x25mm – 10x</p> 	<p>(G) Bolt M6x50mm – 2x</p> 	<p>(H) Half moon washer – 2x</p> 	<p>(I) Lock washer – 12x</p> 
<p>(J) Flat washer – 10x</p> 	<p>(K) Allen key 4mm – 1x</p> 	<p>(L) RH screw 8x19mm – 4x</p> 	

Tools Required (not included):

Philips Head Screwdriver

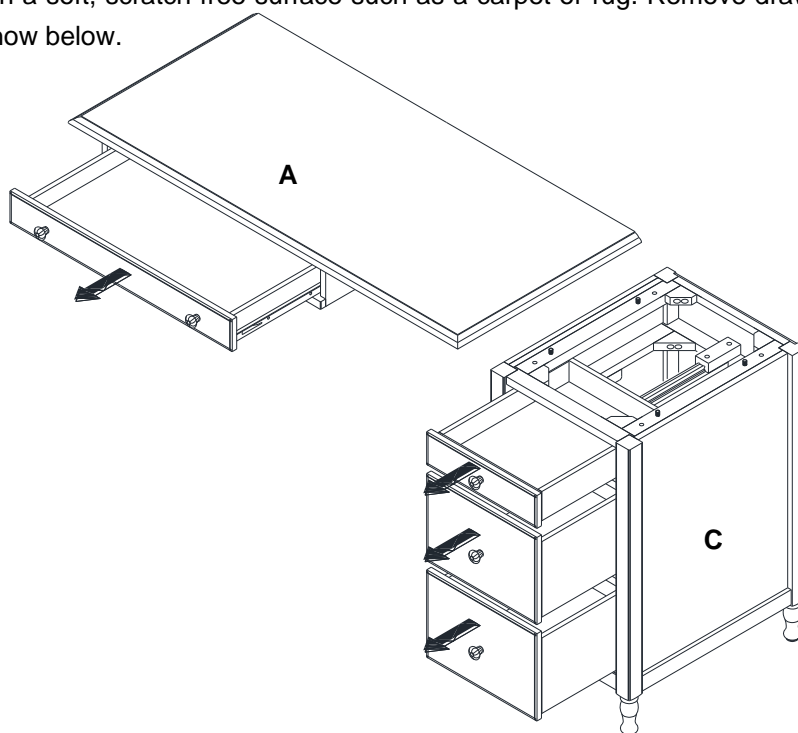


Date: 2014-April-17

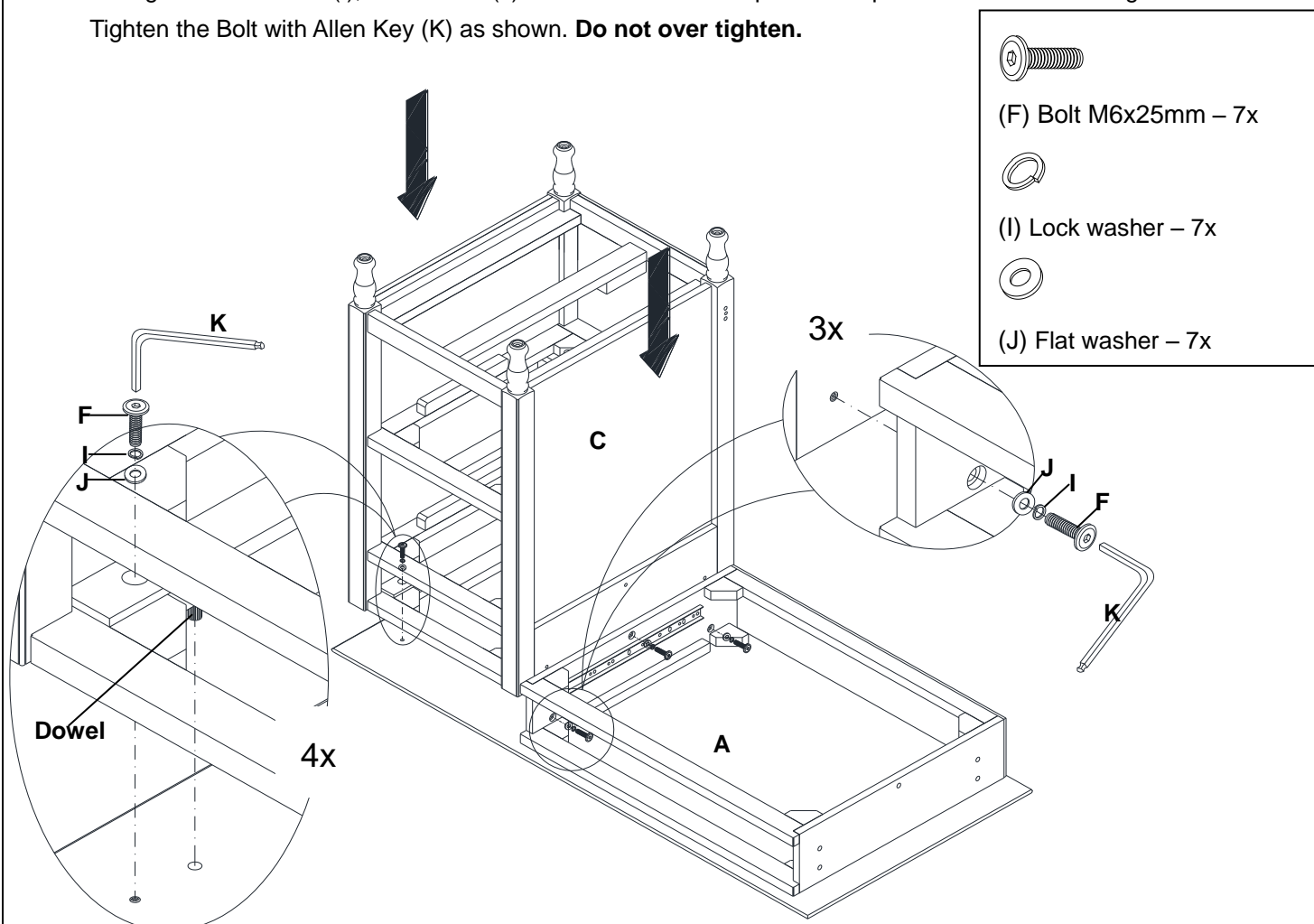
Rev:

Assembly Instruction Steps:

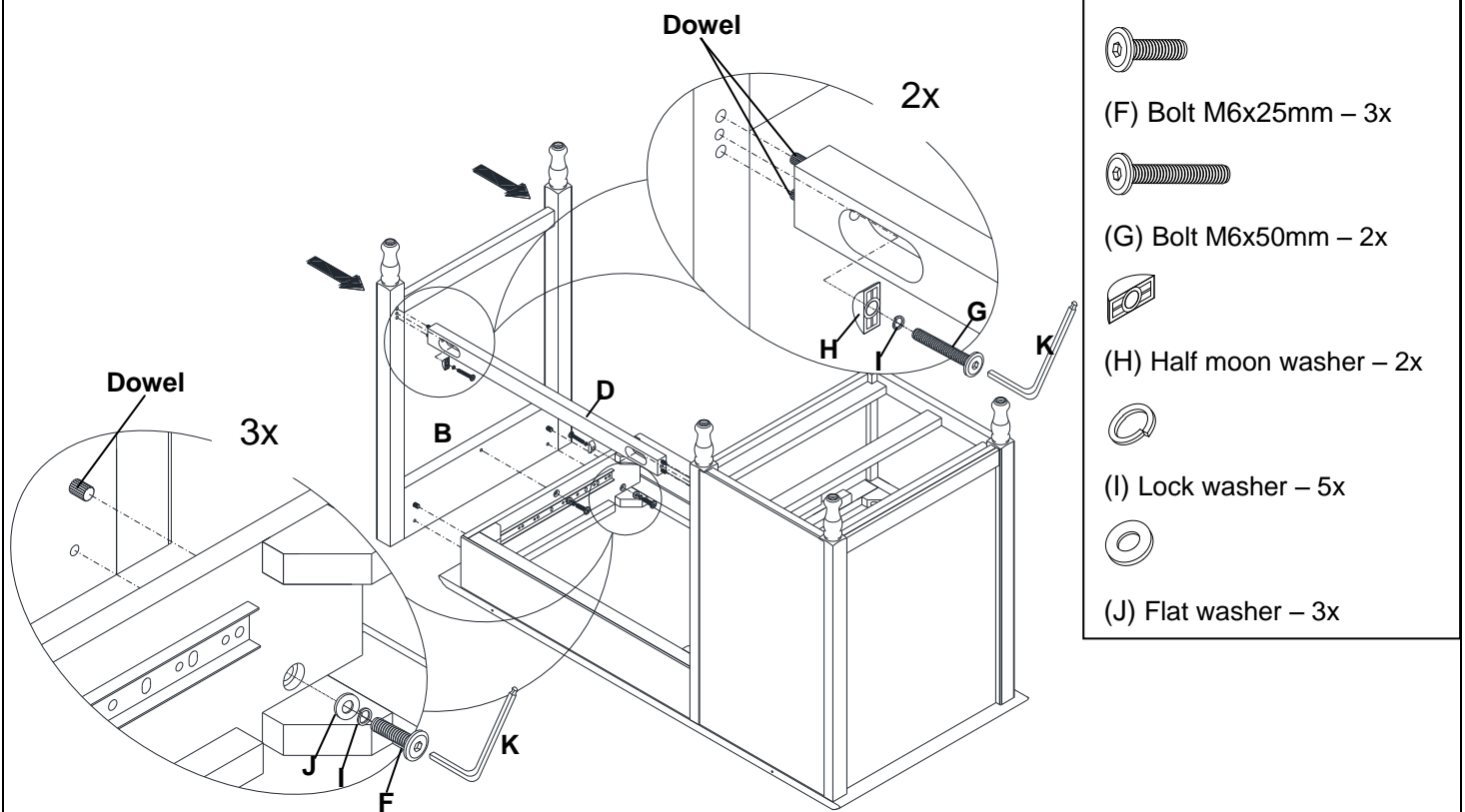
1. Place all furniture parts on a soft, scratch free surface such as a carpet or rug. Remove drawers from Top (A) and Right frame (C) as show below.



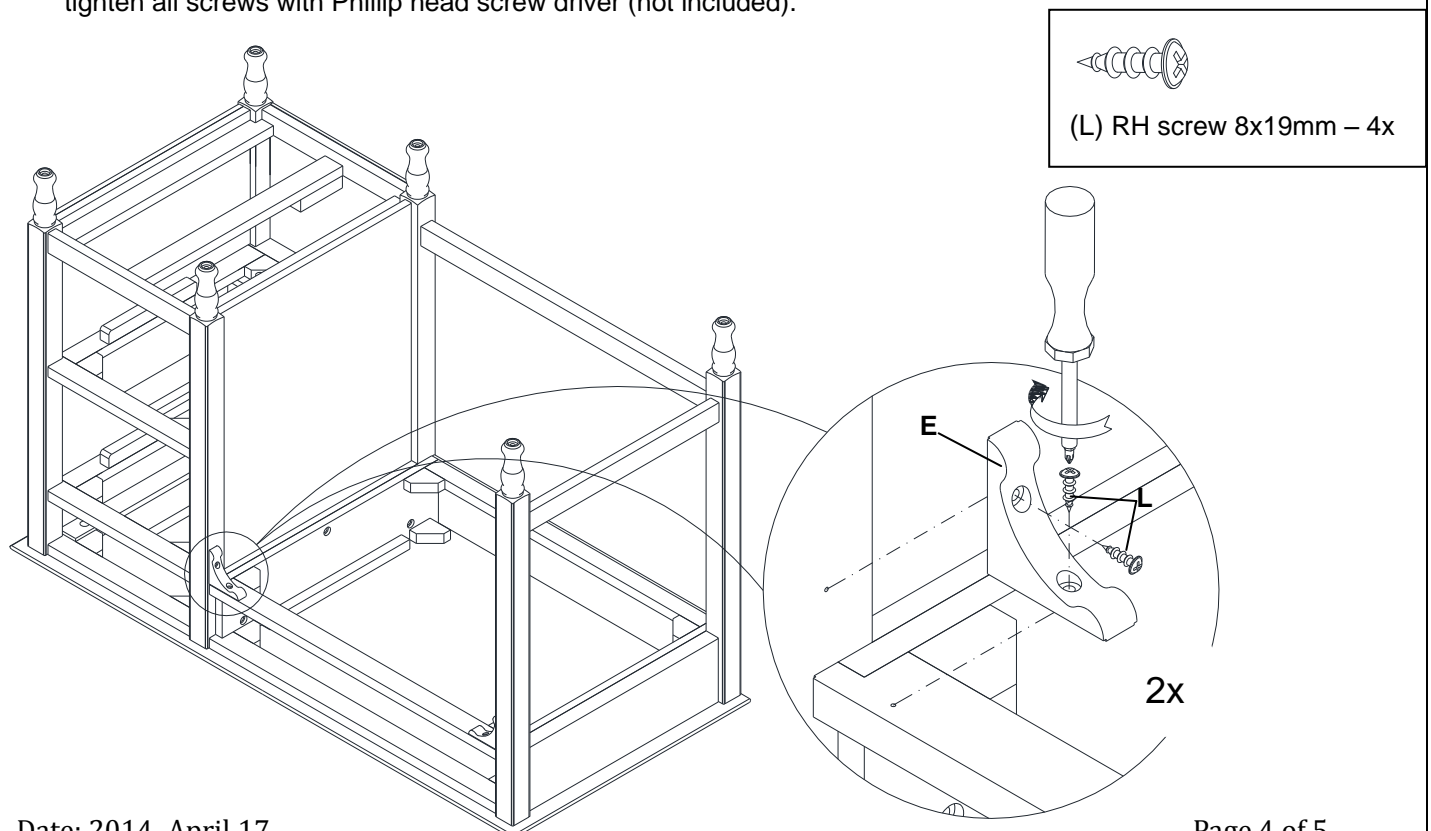
2. Lay the Top (A) on a soft flat surface. Assemble Right frame (C) with Top (A). Make sure pre-installed dowels on the Right frame align with pre-drilled holes on Top. Insert (4x) Bolt M6x25mm (F), through a lock washer (I), flat washer (J) and holes at the top rail of Right frame into metal insert on Top. Insert (3x) Bolt M6x25mm (F), through a lock washer (I), flat washer (J) and holes at the side panel of Top into metal insert on Right frame. Tighten the Bolt with Allen Key (K) as shown. **Do not over tighten.**



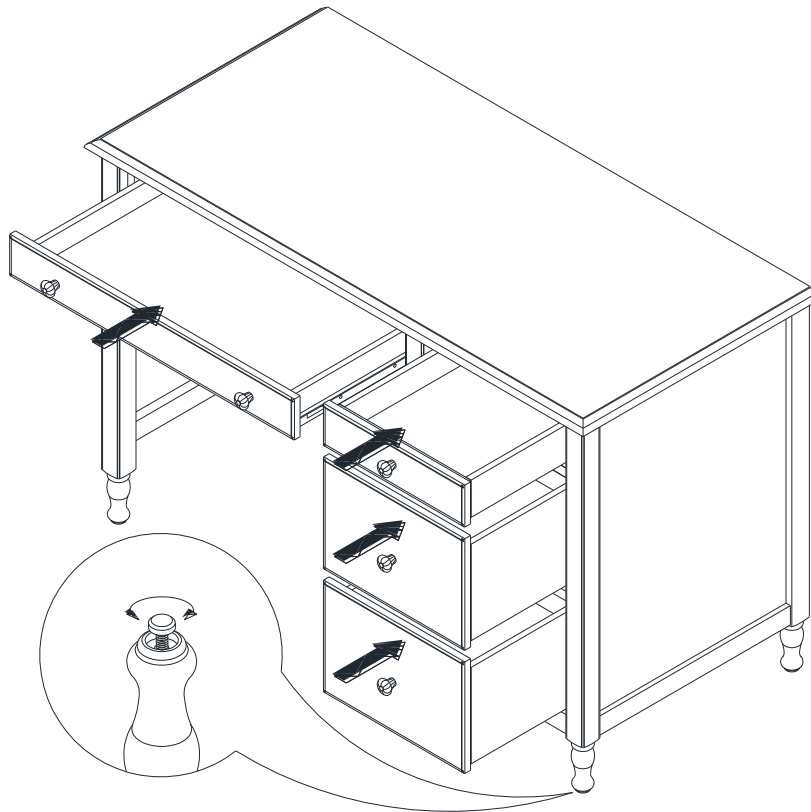
3. Align pre-installed dowels of Bottom rail (D) with pre-drilled holes on the Right frame (C). Attach Left panel (B) to the Top and Bottom with the wooden dowels and pre-drilled holes aligned, as seen in illustration below. Insert (2x) Bolt M6x50mm (G), through a lock washer (I), half moon washer (H) and holes at the back of bottom rail into metal insert in Left panel and Right frame. Insert (3x) Bolt M6x25mm (F), through a lock washer (I), flat washer (J) and holes at the side panel of Top into metal insert in Left panel. Tighten the Bolt with Allen Key (K). **Check alignments and tighten all connections.**



4. Attach (2x) Decoration (E) to assembled Desk by inserting (4x) RH Screw 8x19mm (L) from pre-drilled holes on Decoration into pre-drilled holes on posts and front horizontal slat as shown below. Check alignments and tighten all screws with Phillip head screw driver (not included).



5. Slowly turn the Storage desk upright with a helper and place the drawers back. Adjust levelers under legs to balance the desk if necessary.



6. NOTE: Installation of the Anti Tip Kit is REQUIRED. Please follow the separate instructions to secure the Desk to the wall- using the tipping-restraint kit include.

Care Instructions:

- Dust often using a clean, soft, dry and lint-free cloth.
- Blot spills immediately and wipe with a clean, damp, cloth.
- We do not recommend the use of chemical cleansers, abrasives or furniture polish on our lacquered finish.
- Hardware may loosen over time. Periodically check to make sure all connections are tight.
Re-tighten if necessary.

Thank you for your purchase
Stores | catalog | www.potterybarnkids.com
USA 1.800.290.8181