

pottery barn kids

MADISON CABINET





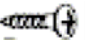

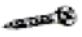


IMPORTANT SAFETY INSTRUCTIONS:

- Please read all instructions carefully before assembling.
- For your safety, assembly by two adults is recommended.

PRE-ASSEMBLY:

- Remove all parts and hardware from the box and lay out on a clean, carpeted, or scratch-free work surface, as this will avoid damaging any parts during assembly. The shipping box provides an ideal work surface. Do not dispose of any contents until assembly is completed to avoid accidentally discarding small parts or hardware.
- Use the parts and hardware lists above to identify and separate each of the pieces included.
- The illustrations provided allow for easier assembly when used in conjunction with the assembly instructions.
- Note: Do not fully tighten all bolts until all parts are in place. Failure to follow these instructions may cause the bolts to misalign during assembly.
- If using power tools to aid in assembly please use caution. Power tools can damage hardware or split wood.

HARDWARE ENCLOSED AND INCLUDED:

- (A) Knob -1pc  (spare part)
- (B) Knob screw - 1pc  (spare part)
- (C) Hinge screw 12mm flat head - 4pcs  (assembled on cabinet)
- (D) Magnet - 1pc  (assembled on cabinet)
- (E) Magnet screw 12mm round head - 2pcs  (assembled on cabinet)
- (F) Metal piece - 1pc  (assembled on the door)
- (G) Metal piece screw 10mm flat head - 1pc  (assembled on the door)
- (H) Sleeve screw – 2pcs 
- (I) Sleeve nut – 2pcs 

NOTE: One additional knob and knob screw are included for your convenience.

TOOLS REQUIRED:

Phillips Head Screwdriver (not included)

ASSEMBLY INSTRUCTIONS:

1. The door can also be attached on right side. To do so, exchange the cabinet door with the door of the hutch. Unscrew the door hinge and Magnet (D) from the cabinet. (Fig. 1)

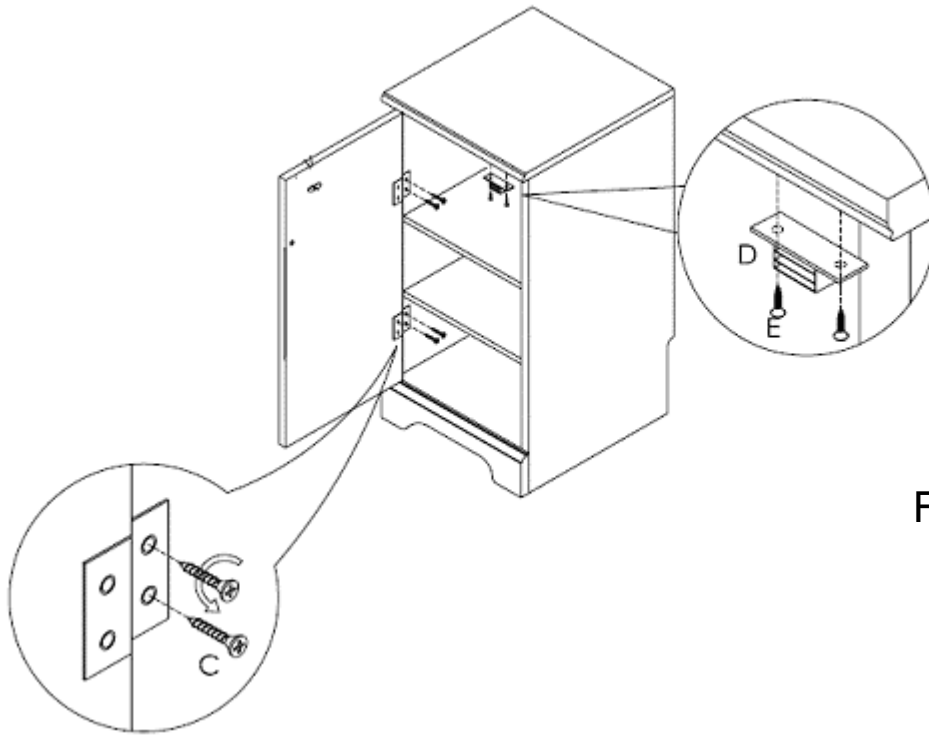


Fig 1

2. Unscrew Metal piece (F) from the door. Fig 2.



Fig 2

3. Reattach the hutch's door to the right side of the cabinet. NOTE: When positioned correctly, the door's Knob (A) will be in the upper left corner of the door. Align the door's hinge with the pre-drilled holes on the interior right side of the cabinet and attach using the Hinge Screw (C). Reattach the Metal piece (F) to the door corner by aligning the Metal Piece (F) with the pre-drilled holes on the door's interior and attaching with Screw (G). Reattach the Magnet (D) to the left side of the cabinet top's underside, as shown below. Align the Magnet (D) to the pre-drilled holes on the cabinet top's underside and attach with the Screws (E). (Fig. 3)

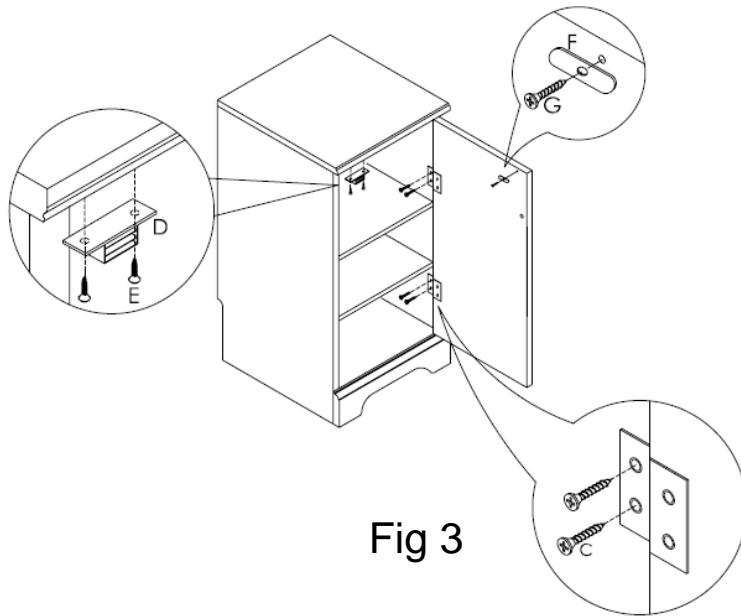


Fig 3

4. Assembly is complete.

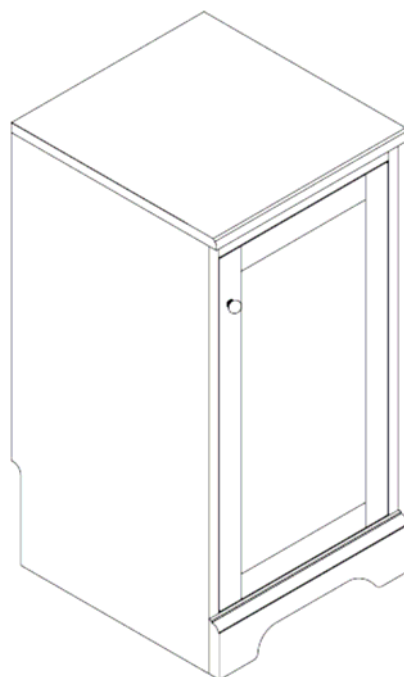


Fig 4

5. You can combine this cabinet with another component of the Madison system using the included Sleeve Screws (H) and Sleeve Nuts (I). To do so, align the two items. Insert the Sleeve Nuts (I) into the pre-drilled countersunk holes on the end of other component of the Madison system. Then insert Sleeve screws (H) into the pre-drilled countersunk holes on end of cabinet. Press the Sleeve Nut (I) and tighten the Sleeve Screws (H) with Phillips Head Screwdriver (not included). (Fig. 5)

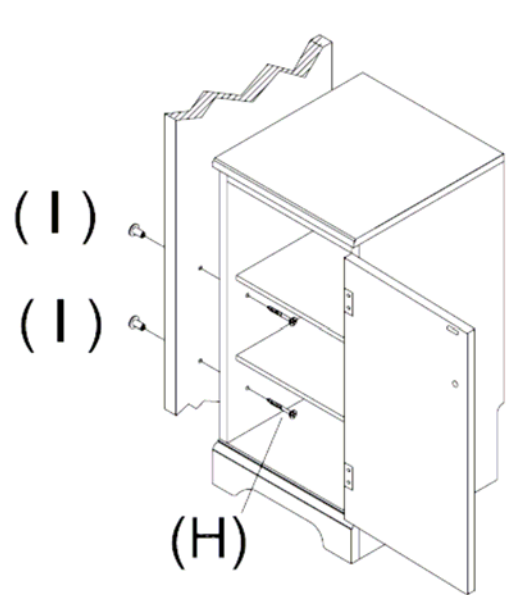


Fig 5

CARE INSTRUCTIONS:

- Dust often using a clean, soft, dry lint-free cloth.
- Blot spills immediately, and wipe with a clean, damp, cloth.
- We do not recommend the use of chemical cleansers, abrasives, or furniture polish on our lacquered finish.
- Do not stand on the shelves.

Thank you for your purchase
stores | catalog | www.potterybarnkids.com
USA 1.800.290.8181