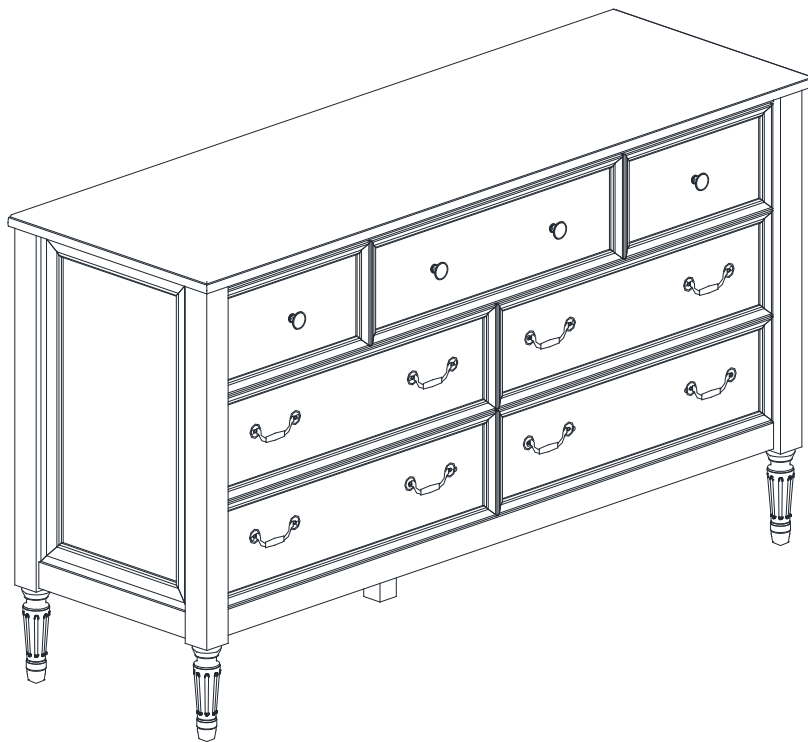


pottery barn kids

BLYTHE WIDE DRESSER

ASSEMBLY INSTRUCTIONS



Date: 2013-April-03
Rev:

www.potterybarnkids.com

Important Safety Instructions:

- Please read all instructions carefully before assembling.
- For your safety, assembly by two or more adults is strongly recommended.
- Keep instructions for future use.
- Use only vendor supplied hardware to assemble. Using unauthorized hardware could jeopardize the structural integrity of the item.

Pre-assembly:

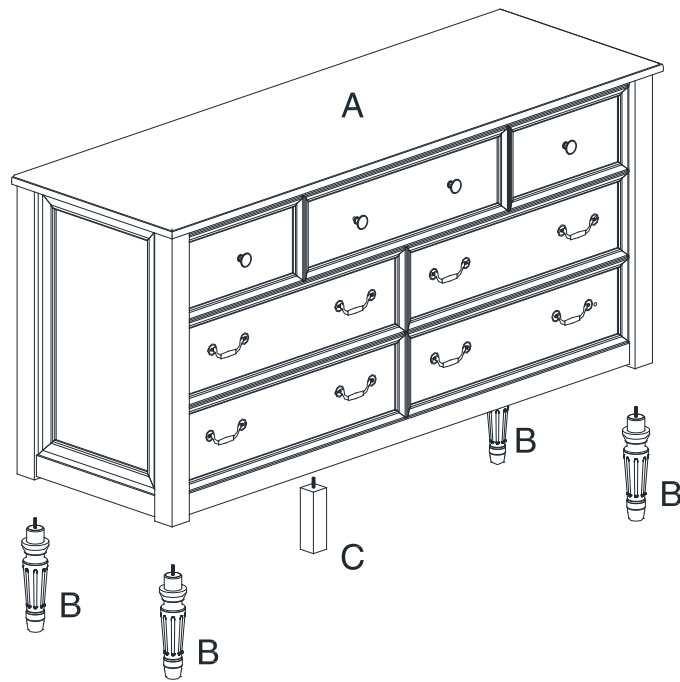
- Remove all parts and hardware from the box and lay out on a clear carpeted or scratch-free work surface, as this will avoid damaging parts during assembly. The shipping box provides an ideal work surface.
- Do not dispose of any packaging or contents of the shipping carton until assembly is completed to avoid accidentally discarding small parts or hardware.
- Use the parts and hardware lists below to identify and separate each of the pieces included.
- The illustrations provided allow for easier assembly when used in conjunction with the assembly instructions.
- The use of power tools to aid in assembly is not recommended. Power tools can damage hardware and split wood.

Parts Included:

(A) Wide Dresser Case - 1pc

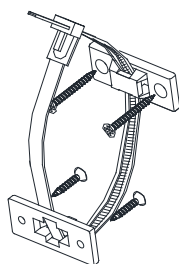
(B) Turned Leg - 4pcs

(C) Center Leg - 1 pc -



Hardware Included:

(D) Tipping – Restraint Kit – 1set



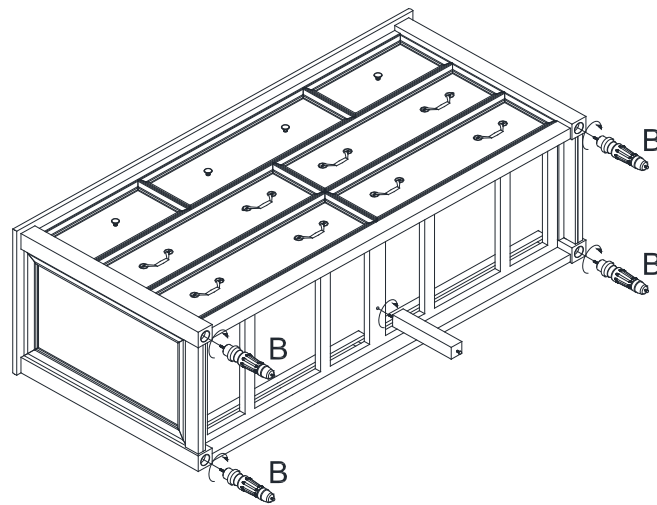
TOOLS REQUIRED (Not included):



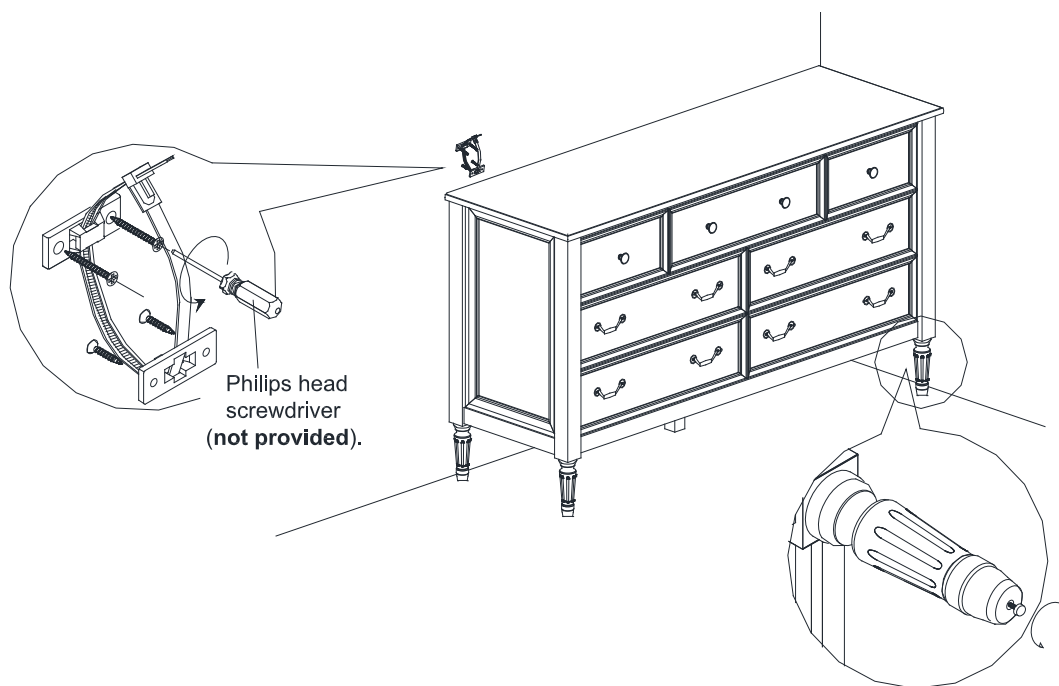
Philips Head Screwdriver

Assembly Instruction Steps:

1. Lay the Wide Dresser Case (A) down into soft flat surface. Assemble the Turned Leg (B) and (C) Center Leg into Wide Dresser Case and tighten them.



2. As a safety precaution, please follow the separate instruction enclosed to secure the Wide Dresser Case to the wall using Tipping-Restraint Kits (D). If the chest doesn't sit level, please adjust the levelers under legs.



Care Instructions:

- Dust often using a clean, soft, dry and lint-free cloth.
- Blot spills immediately and wipe with a clean, damp, cloth.
- We do not recommend the use of chemical cleansers, abrasives or furniture polish on our lacquered finish.
- Hardware may loosen over time. Periodically check to make sure all connections are tight. Re-tighten if necessary.

Thank you for your purchase
Stores | catalog | www.potterybarnkids.com
USA 1.800.290.8181