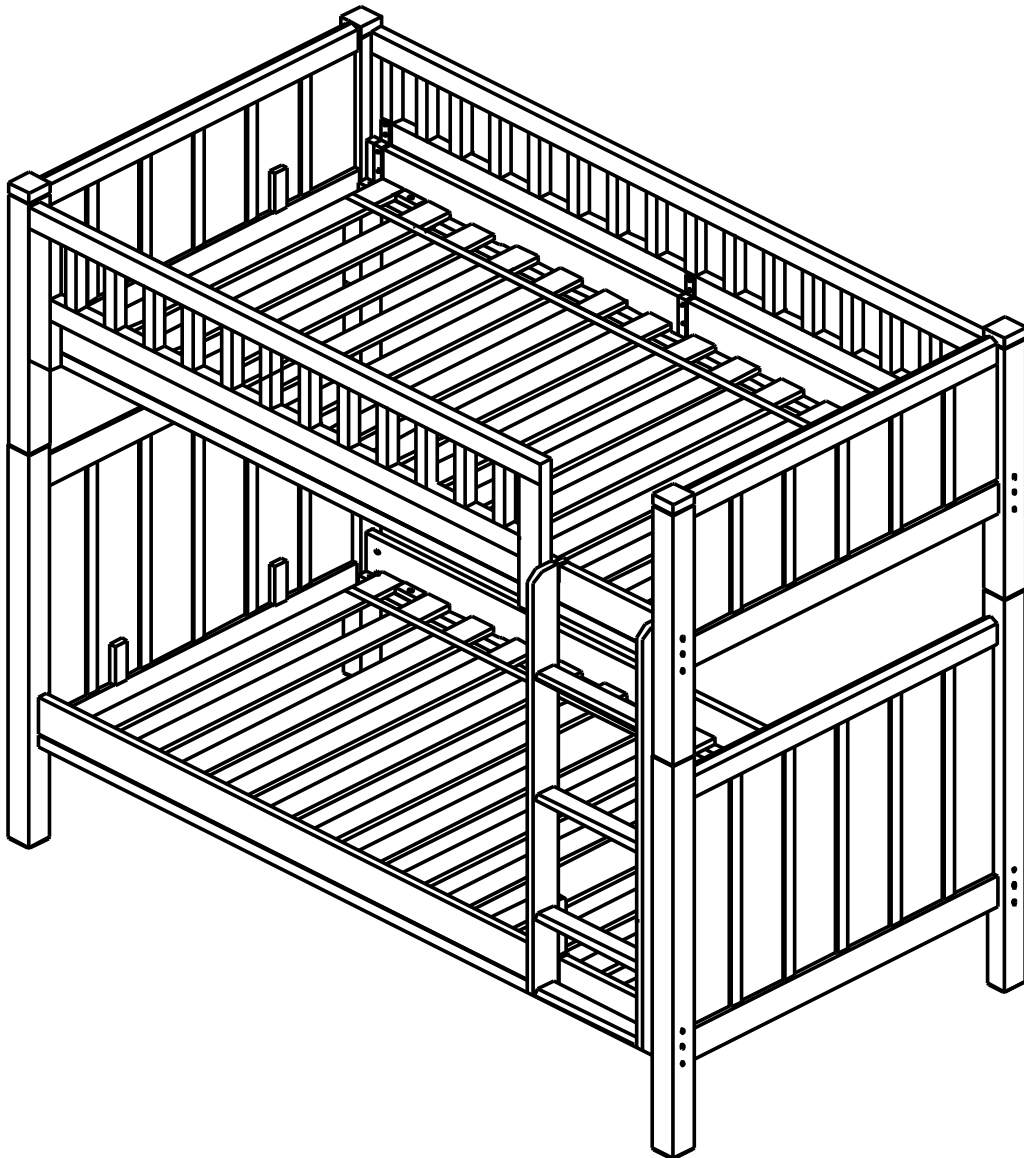


pottery barn kids

CAMP BUNK BED TWIN OVER TWIN ASSEMBLY INSTRUCTIONS



www.potterybarnkids.com



WARNING: Failure to follow these warnings and assembly instructions could result in serious injury or death. To help prevent serious or fatal injuries from entrapment or falls:

- Read all instructions before assembling bunk bed.
- Before each usage or assembly, inspect bunk bed for damaged hardware, loose joints, missing parts or sharp edges. DO NOT use bunk bed if any parts are missing or broken.
- DO NOT use substitute parts. Contact pottery barn kids for replacement parts and and instructional literature if needed.
- Follow the information on the warnings appearing on the upper bunk end structure and on the carton. DO NOT REMOVE WARNING LABEL FROM BED.
- Always use the recommended size mattress or mattress support, or both, to help prevent the likelihood of entrapment or falls.
- Ensure thickness of mattress on upper bunk does not exceed 9 inches and the surface of mattress must be at least 5 inches (127 mm) below the upper edge of guardrails.
- Only use the 9" thickness mattress on the lower bunk.
- Ensure both upper and lower bunk are assembled to the highest position when using the product as a bunk bed.
- Use only mattress which is 74"-75" long and 37.5"-38.5" wide on upper and lower bunk.
- Do not allow children under 6 years of age to use the upper bunk.
- Periodically check and ensure that the guardrail, ladder, and other components are in their proper position, free from damage, and that all connectors are tight.
- Do not allow horseplay on or under the bed and prohibit jumping on the bed.
- Prohibit more than one person on the upper bunk.
- Always use the ladder for entering and leaving the upper bunk.
- Use of a night light may provide added safety precaution for a child using the upper bunk.
- Always use guardrails on both long sides of the upper bunk. If the bunk bed will be placed next to the wall, the guardrail that runs the full length of the bed should be placed against the wall to prevent entrapment between the bed and wall.
- The use of water or sleep flotation mattresses is prohibited.
- If refinishing, use a non-toxic finish specified for children's products.

STRANGULATION HAZARD - Never attach or hang items to any part of the bunk bed that are not designed for use with the bed; for example, but not limited to, hooks, belts and jump ropes

- This bunk bed meets the requirements of ASTM F1427-13
- KEEP THESE INSTRUCTIONS FOR FUTURE REFERENCE

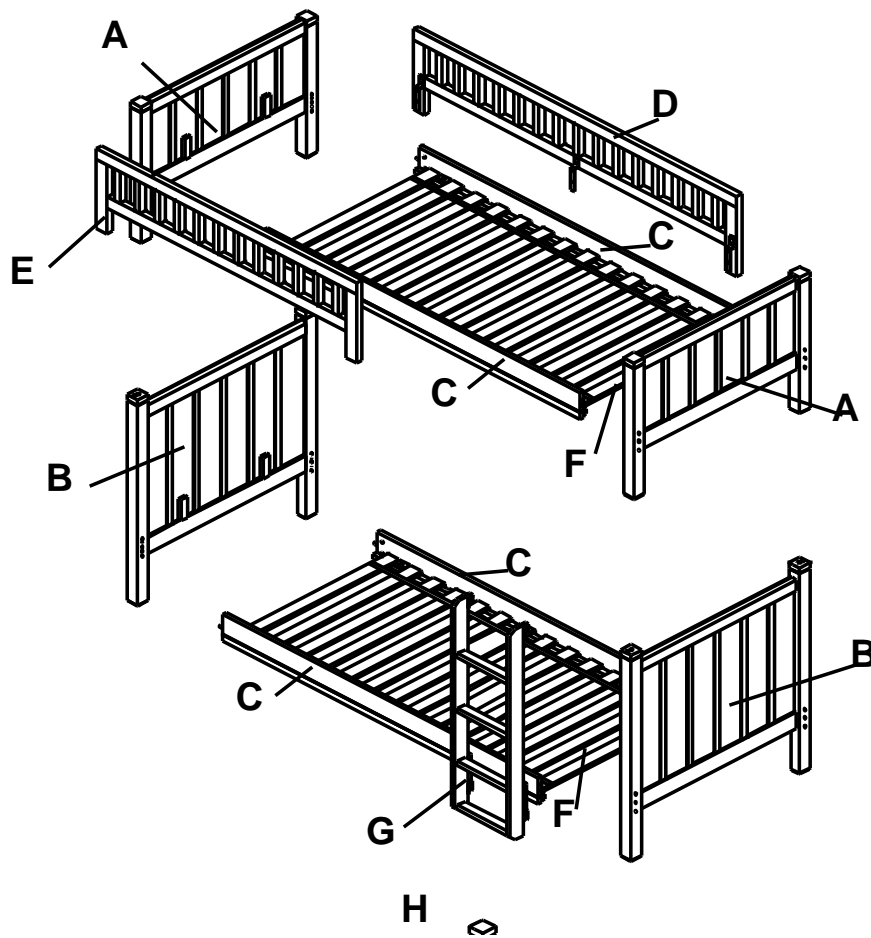
04-000044-7

Important Safety Instructions:

- Please read all instructions carefully before assembling.
- For your safety, assembly by two or more adults is strongly recommended.
- Keep instructions for future use.
- Use only vendor supplied hardware to assemble. Using unauthorized hardware could jeopardize the structural integrity of the item.

Pre-assembly:

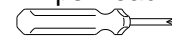
- Remove all parts and hardware from the box and lay out on a clear carpeted or scratch-free work surface, as this will avoid damaging parts during assembly. The shipping box provides an ideal work surface.
- Do not dispose of any packaging or contents of the shipping carton until assembly is completed to avoid accidentally discarding small parts or hardware.
- Use the parts and hardware lists below to identify and separate each of the pieces included.
- The illustrations provided allow for easier assembly when used in conjunction with the assembly instructions.
- The use of power tools to aid in assembly is not recommended. Power tools can damage hardware and split wood.
- Note: Do not fully tighten all the bolts until all parts are in place. Failure to follow these instruction may cause the bolts to misalign during assembly.



PARTS INCLUDED:	
(A). Short End Board	2x
(B). Tall End Board	2x
(C). Side Rail	4x
(D). Long Guardrail	1x
(E). Short Guardrail	1x
(F). Slat Roll	2x
(G). Ladder	1x
(H) Finial	4x


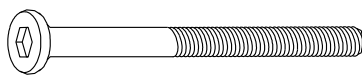




Tools Required:

Philips Head Screw Driver



(not included)

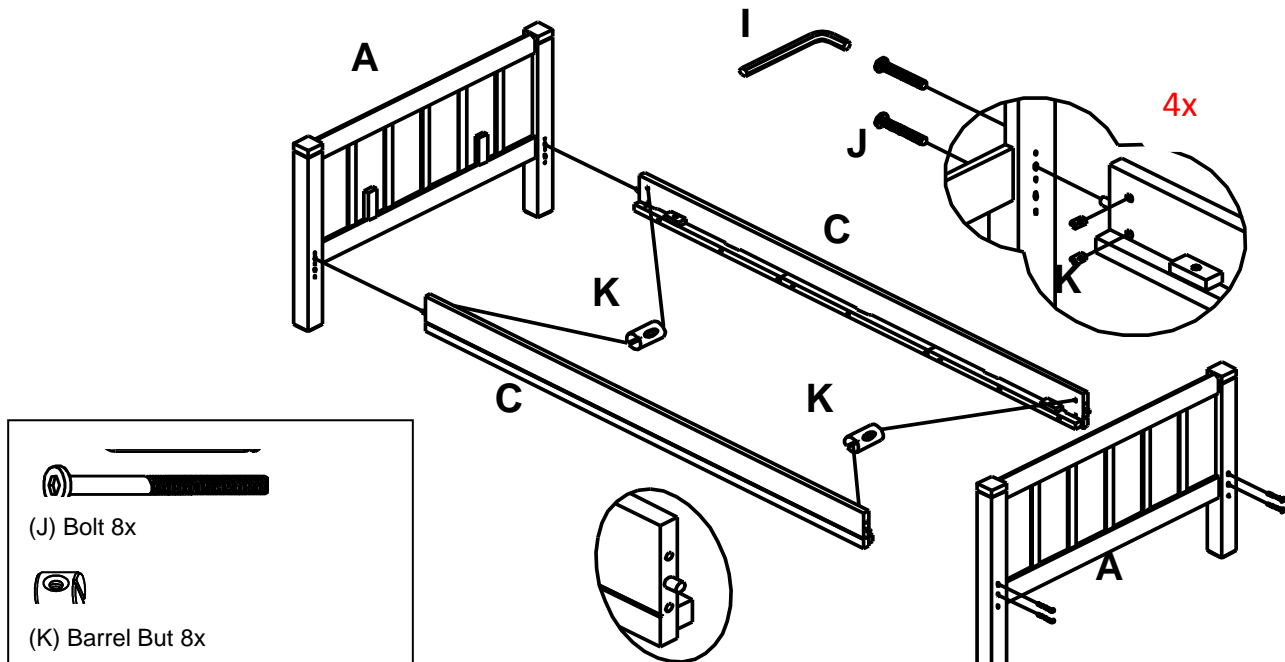
HARDWARE INCLUDED:

 (I). Allen Key- 1pc	 (J) Bolt M8x110mm – 16x	 (K) Barrel Nut – 16x
 (L) Long Screw 4x30mm – 56x	 (M) Short Screw 4x20mm – 18x	 (R) Smooth Metal Dowel – 4x

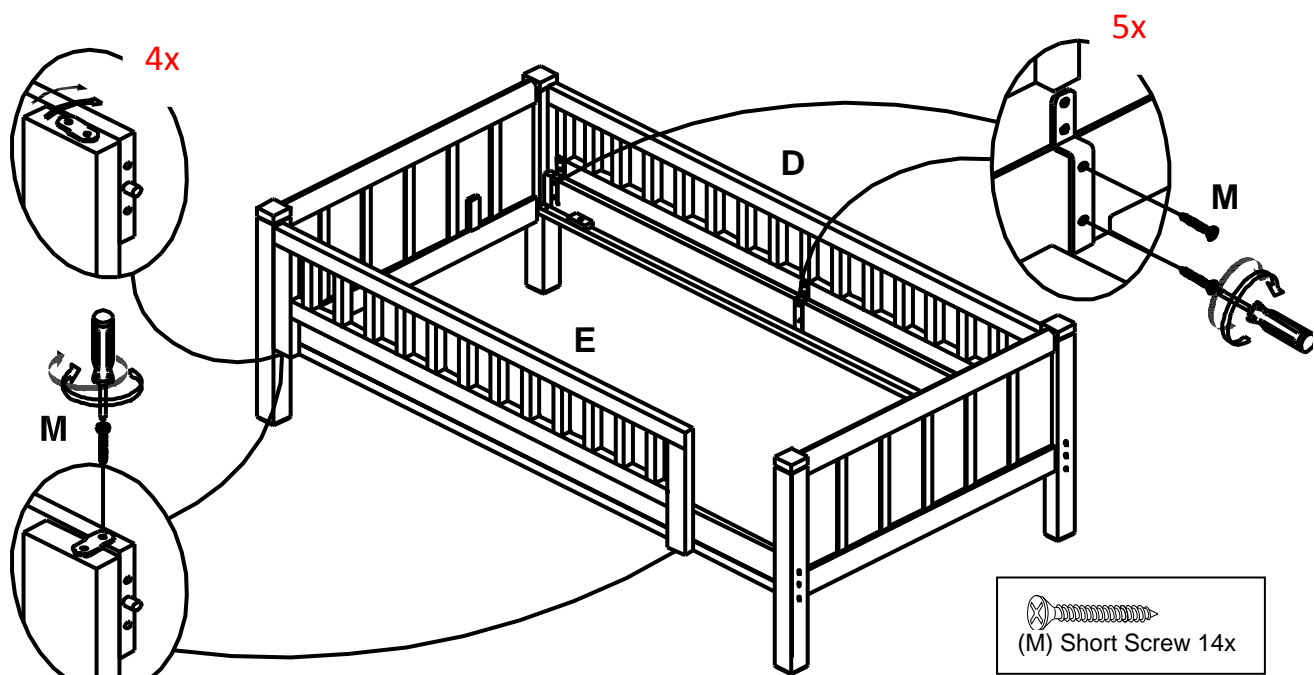
Assembly Instruction Steps:

1. Assemble upper bunk first using (2x) Short End Board (A) as headboard and footboard. Insert (2) Long Bolts (J) into pre-drilled holes on each end of Short End Board (A). Place (2) Barrel Nut (K) in the corresponding openings on the Side Rail (C) and use Allen Key (I) to connect. Repeat with another (6) Long Bolts. (See Fig. 1). Do not fully tighten until all bolts are in place.

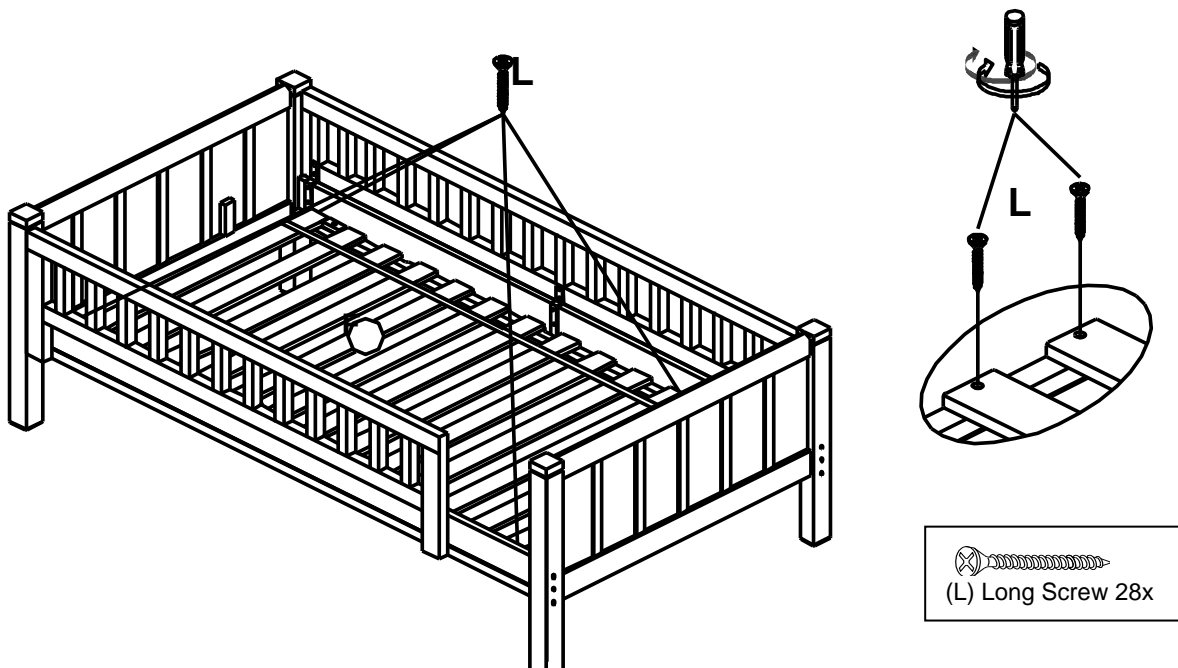
Note: The side rails of the bed are adjustable to two heights. Both beds must be set at the same setting (either upper or lower) to ensure the ladder will fit. To accommodate a trundle with Camp Bunk Bed, please set both beds to the higher setting.



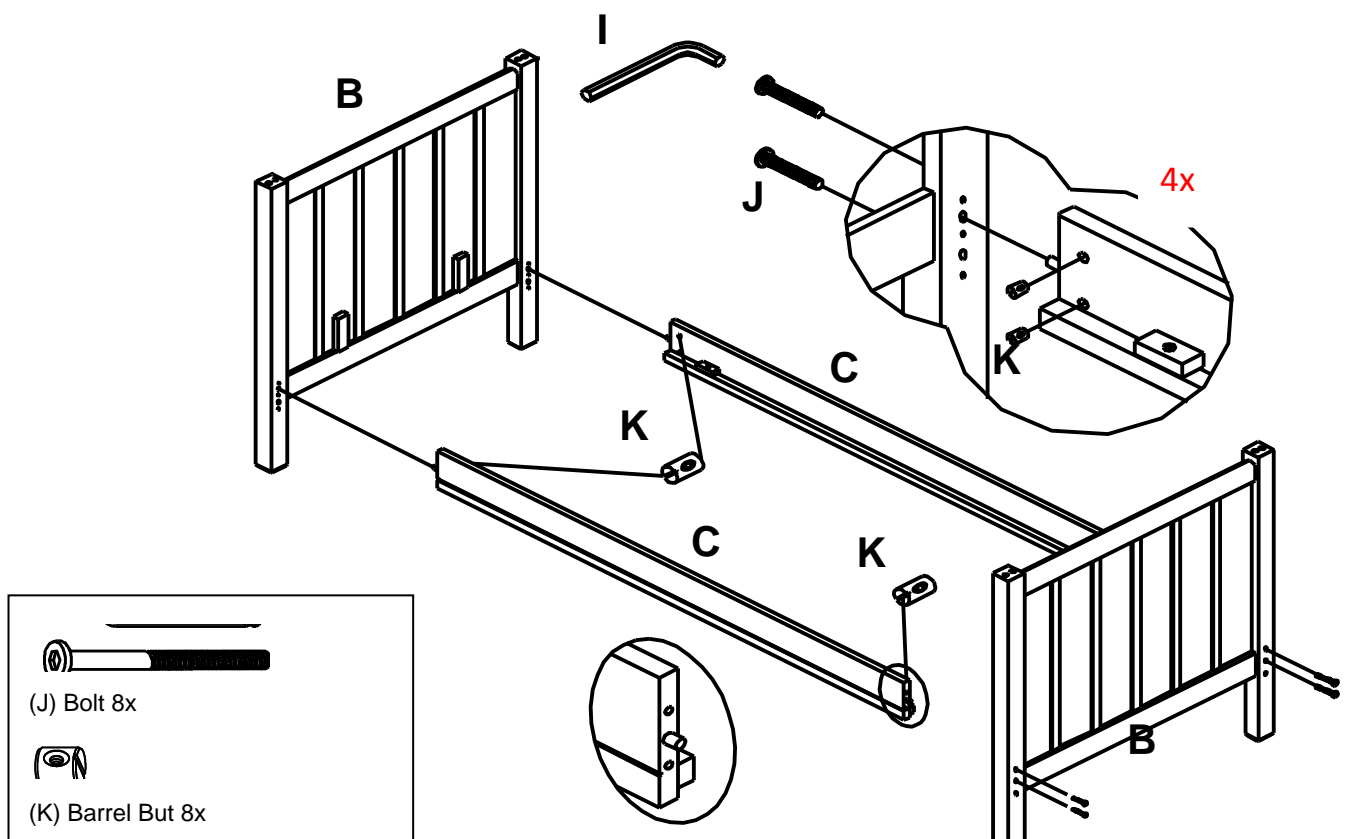
2. Install the Long Guardrail (D) and the Short Guardrail (E) to the Side Rails (C), using the Phillips head screwdriver and (10) small Phillips Head Screws 8x20mm (M). (Note: the short guardrail (E) can be installed so the opening is at either end of the bed.) (Fig. 2).
3. Loosen the screw of connector bracket at bottom of guardrail (it is sent this way to avoid damage in shipment), and turn the opposite end of connector bracket to side rail. Use the small Phillips Head Screws (M) to fasten Guardrail to Side Rail (C), (Fig. 3).



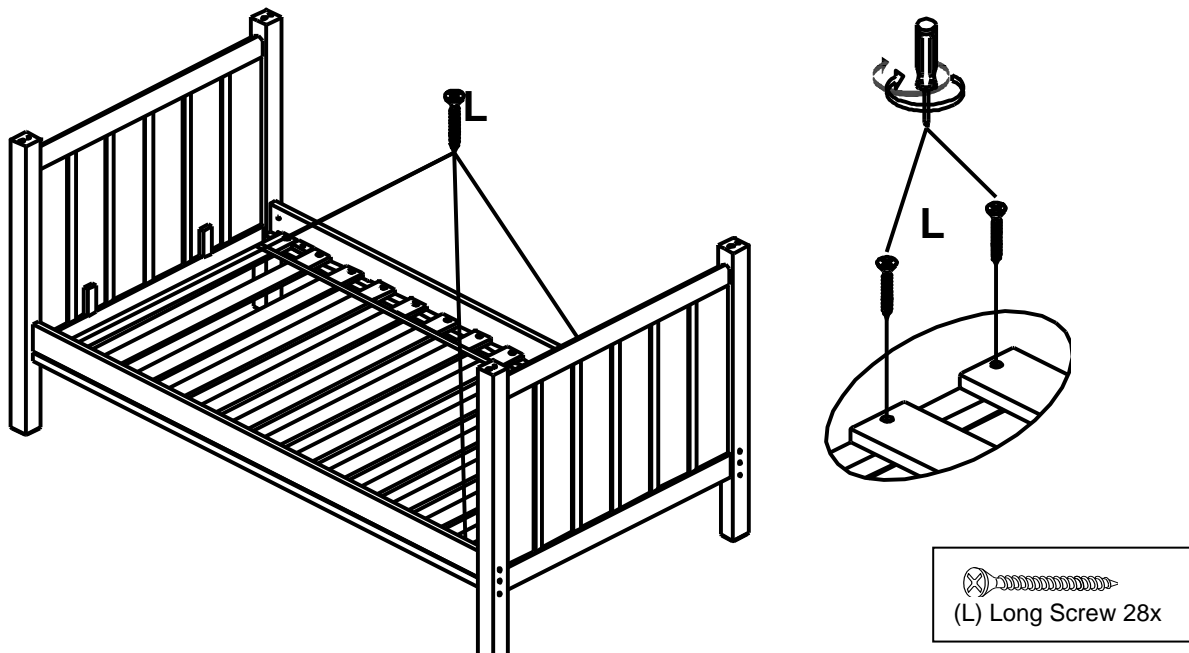
4. Place (1) Slat Roll (F) between the Side Rails and use (28) Long Wood Screws (L) to fasten the Slat Roll to the mattress supports on the Side Rails of the upper bunk, (Fig. 4).



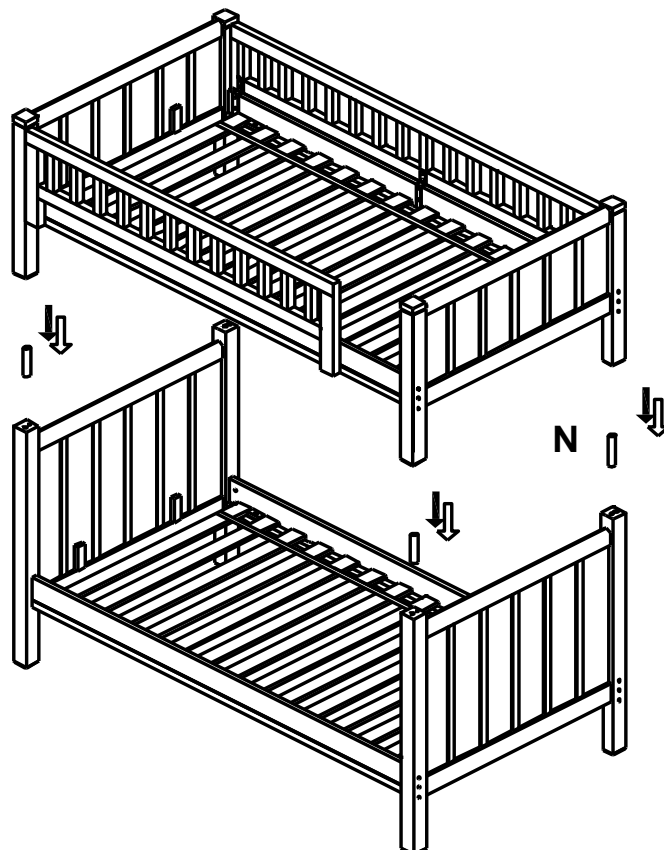
5. Now assemble bottom bunk using the (2) Tall End Board (B) as headboard and footboard. Insert (2) Long Bolts (J) into pre-drilled holes on each end of Tall End Board (B). Place (2) Barrel Nut (K) in the corresponding openings on the Side Rail (C) and use Allen Key (I) to connect. (Fig. 5). Repeat with the remaining (6) Long Bolts. Do not fully tighten until all bolts are in place.



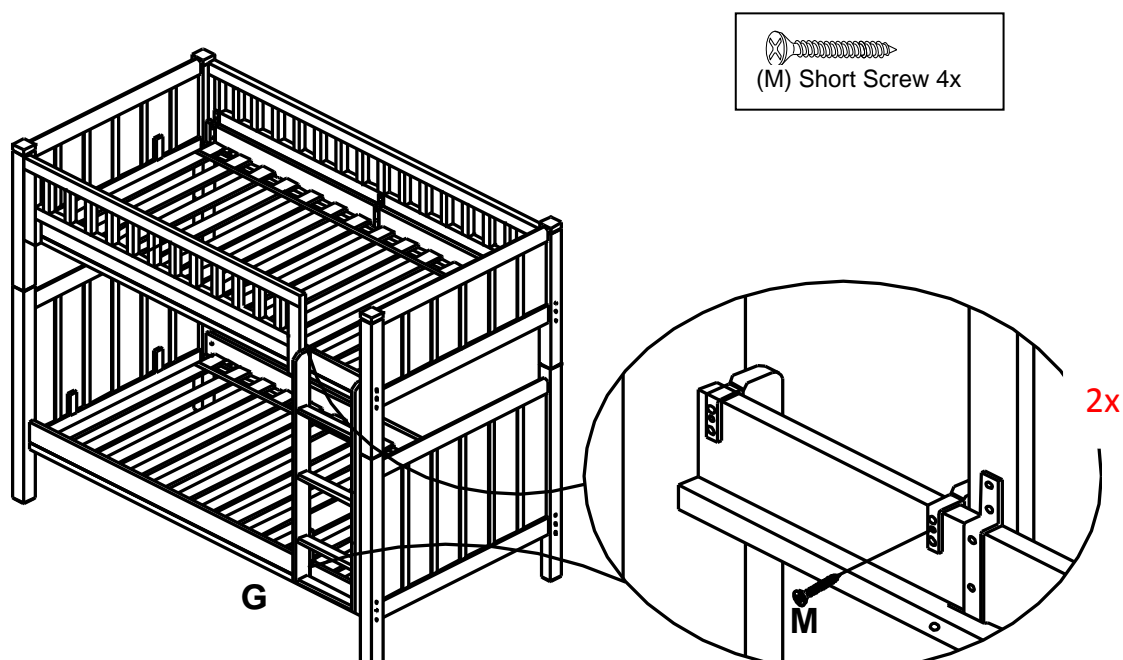
6. Place the other Slat Roll (F) on the assembled bottom bunk and use (28) Long Wood Screws (L) to fasten the Slat Roll to Side Rails of the bottom bunk, (Fig. 6).



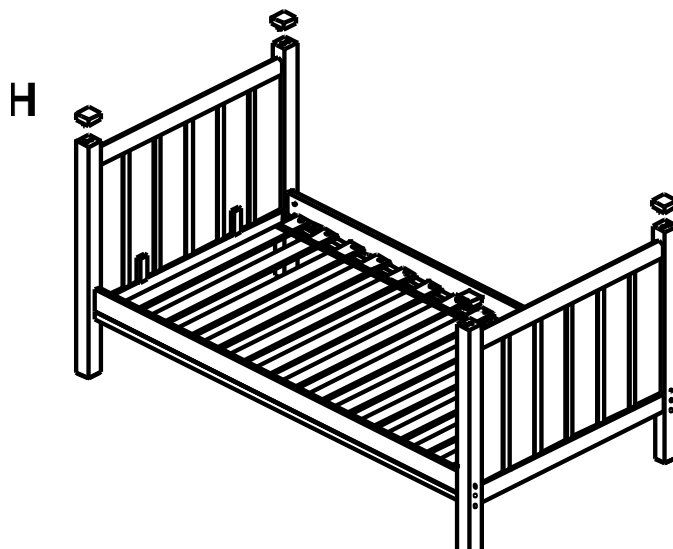
7. Place the bottom bunk on the desired location. If needed, loosen or tighten the Adjustable Levelers on the legs of the bottom bed, so that it sits evenly on the floor. Insert (4) Smooth Metal Dowels (N) into the pre-drilled holes on top of the bottom bunk. Lift and place the upper bunk on top of the bottom bunk by aligning and placing the pre-drilled holes on bottom of upper bunk bed post to the Smooth Metal Dowels as shown below.



8. Attach the Ladder (G) to opening of the Short Guardrail. Place the brackets pre-attached to the Ladder over the Side Rails on upper/bottom bunk units and secure with (4) Short Wood Screws (M), (Fig. 8).
9. Check alignments and secure all bolts before use.



10. Note If you would like to use the bottom bunk as a regular twin size bed, attach (4) Finials (H) to the post.



Care Instructions:

- Dust often using a clean, soft, dry and lint-free cloth.
- Blot spills immediately and wipe with a clean, damp, cloth.
- We do not recommend the use of chemical cleansers, abrasives or furniture polish on our lacquered finish.
- Hardware may loosen over time. Periodically check to make sure all connections are tight. Re-tighten if necessary.

Thank you for your purchase
 Stores | catalog | www.potterybarnkids.com
 USA 1.800.290.8181