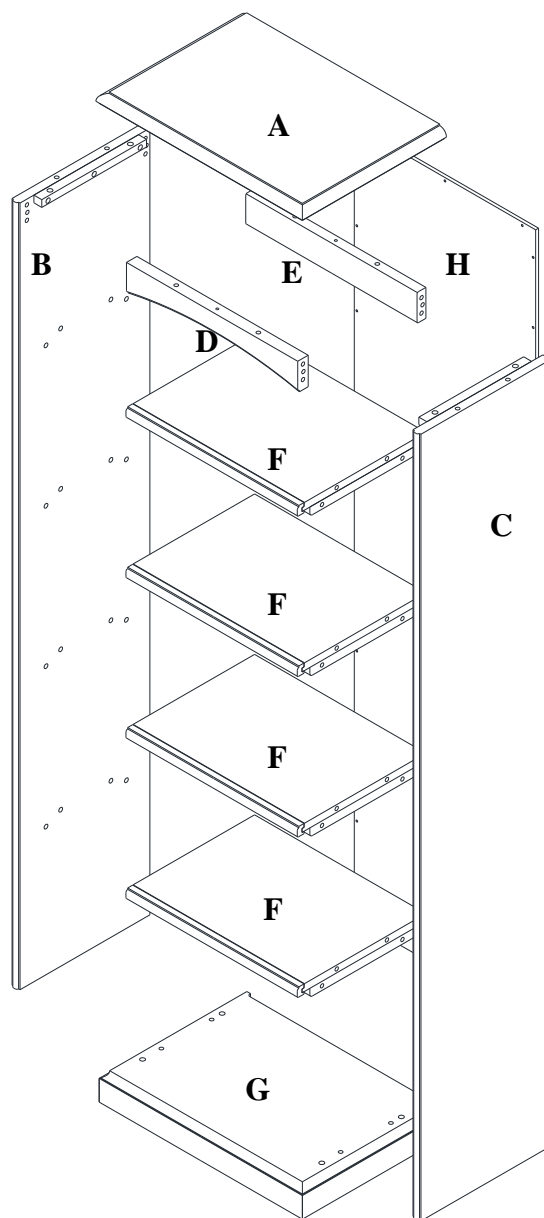
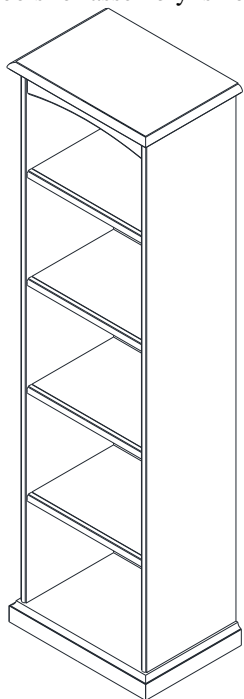


Pottery Barn Kids
CATALINA STORAGE TOWER

PRE-ASSEMBLY:



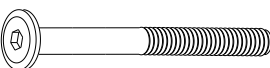
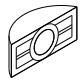



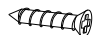
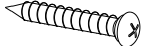

- Please read all instructions before beginning assembly.
- Assembly by two adults is recommended for your safety and ease.
- Remove all parts and hardware from the box. Place them on a carpeted or scratch-free work surface, as this will avoid damaging any parts during assembly. The shipping box provides an ideal work surface.
- To avoid accidentally discarding small parts or hardware, do not dispose of any contents until assembly is complete.
- Use the parts and hardware lists to identify and separate each of the pieces included.
- Note: Do not fully tighten all bolts until all parts are in place. Failure to follow these instructions may cause the bolts to misalign during assembly.
- The use of power tools for assembly is not recommended. Power tools can damage hardware or split wood.




PART INCLUDED

(A) Top Panel	- 1 pc
(B) Left Side Panel	- 1 pc
(C) Right Side Panel	- 1 pc
(D) Front Frame	- 1 pc
(E) Back Frame	- 1 pc
(F) Shelves	- 4 pcs
(G) Base	- 1 pc
(H) Back Panel	- 1 pc

HARDWARE INCLUDED

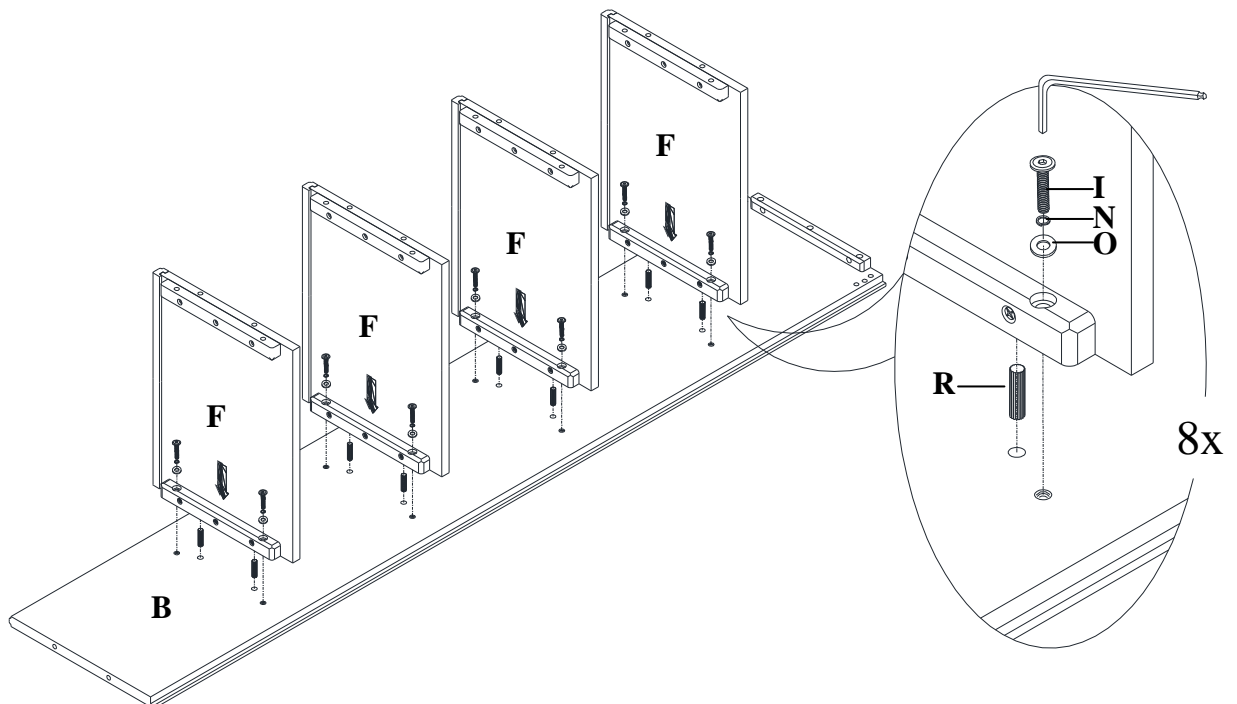
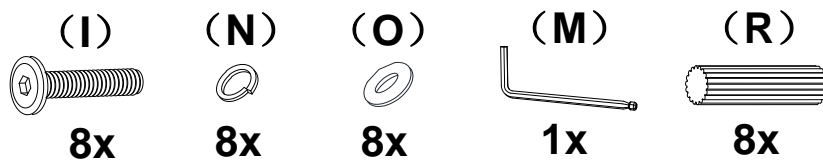
(I) JCBC Bolt M6 x 32mm	- 20 pcs	
(J) JCBC Bolt M6 x 50mm	- 4 pcs	
(K) JCBC Bolt M6 x 70mm	- 4 pcs	
(L) Half Moon Washer	- 4 pcs	
(M) Allen Key 4mm	- 1 pc	
(N) Lock washer 6x11x2mm	- 28 pcs	
(O) Flat washer 6 x 13 x 1.5mm	- 24 pcs	
(P) Flat Head Screw 6 x 19mm	- 26 pcs	
(Q) Round Head Screw 8 x 38mm	- 2 pcs	
(R) Dowel 8 x 30mm	- 36 pcs	

TOOL REQUIRED

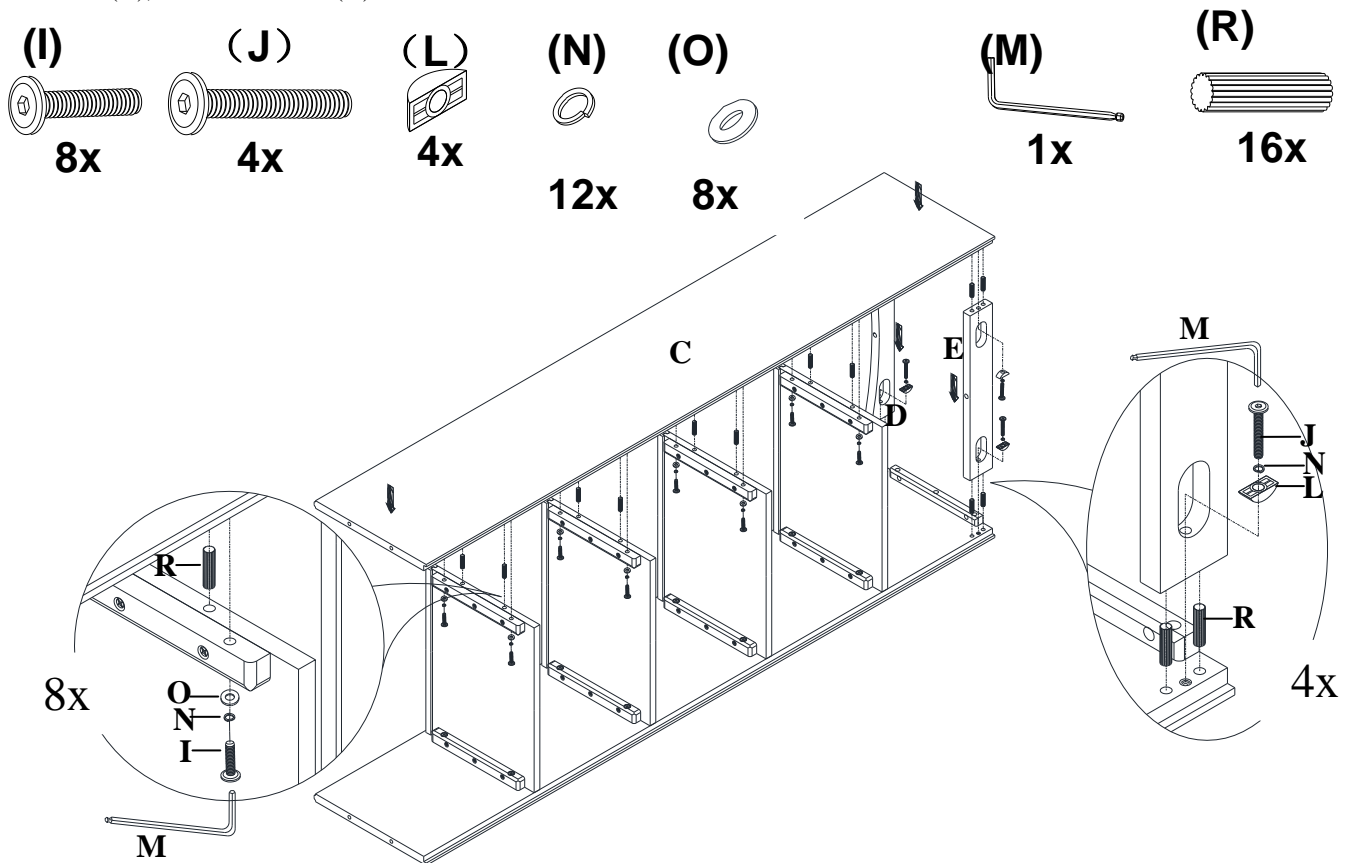
(S) Phillips head screw driver (not included) - 1 pc 

Assembly Instructions For The Catalina Storage Tower

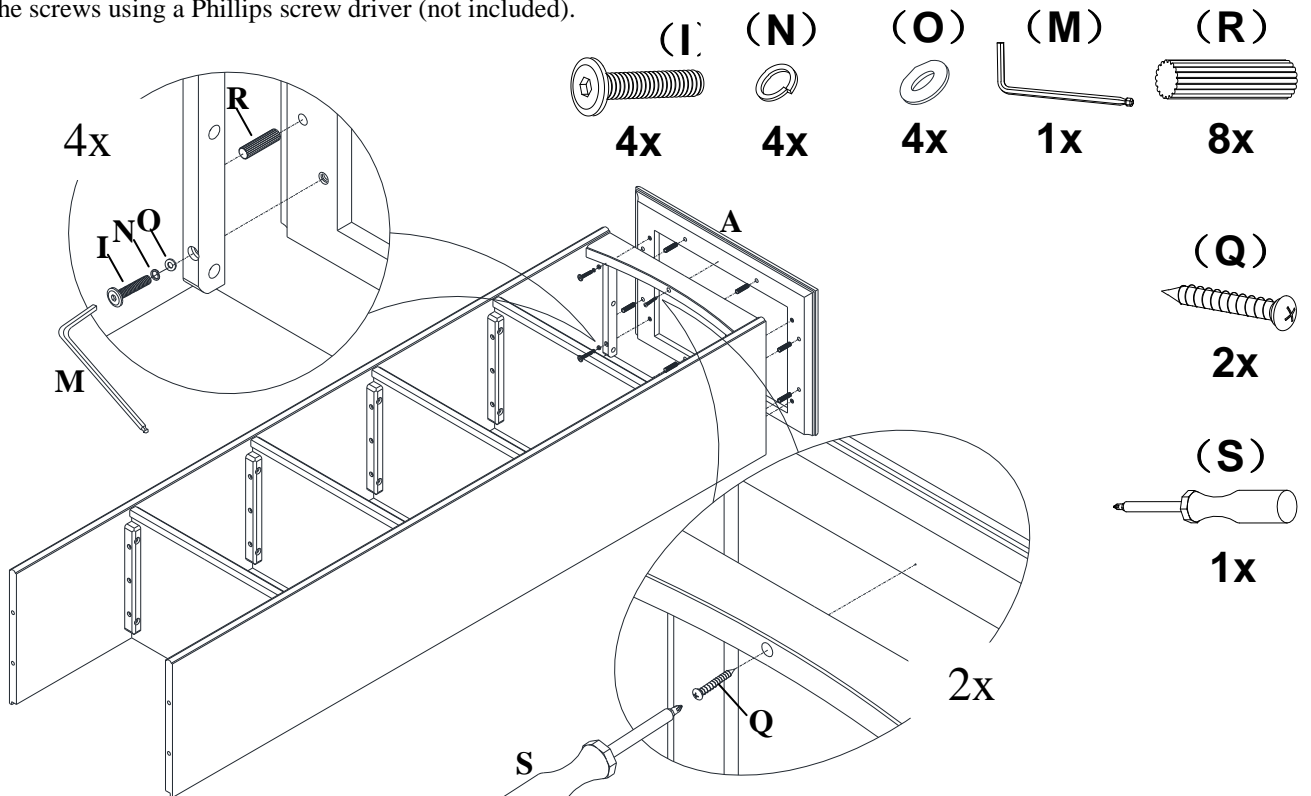
1. Insert 8 Dowels 8 x 30mm (R) to the Left Side Panel (B). Assemble the Left Side Panel (B) with 4 Shelves (F) using JCBC Bolts M6 x 32mm (I), Lock Washer (N), and Flat Washer (O) with the Allen key (M). See the picture below.



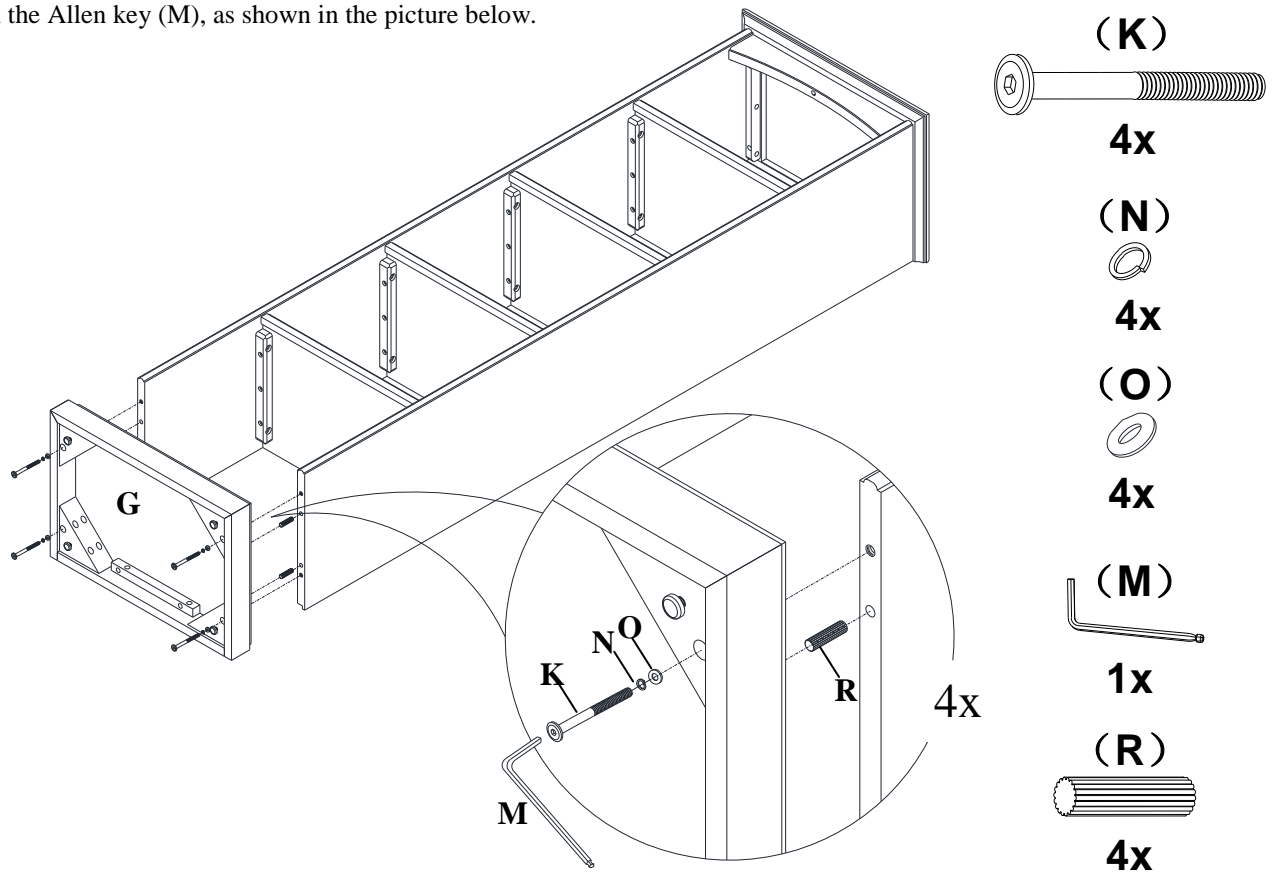
2. Attach the Front Frame (D) and the Back Frame (E) to the Left Side Panel (B). At the same time, attach the Right Side Panel (C) to the Front Frame (D), Back Frame (E), and 4 Shelves as shown in the picture below. Using the Allen Key (M), attach the Front Frame (D) and Back Frame (E) with the following hardware: Half Moon Washer (L), JCBC Bolts M6 x 50mm (J), and Lock Washer (N). For the Shelves (F) use the following hardware: JCBC Bolts M6 x 32mm (I), Lock Washer (N), and Flat washer (O).



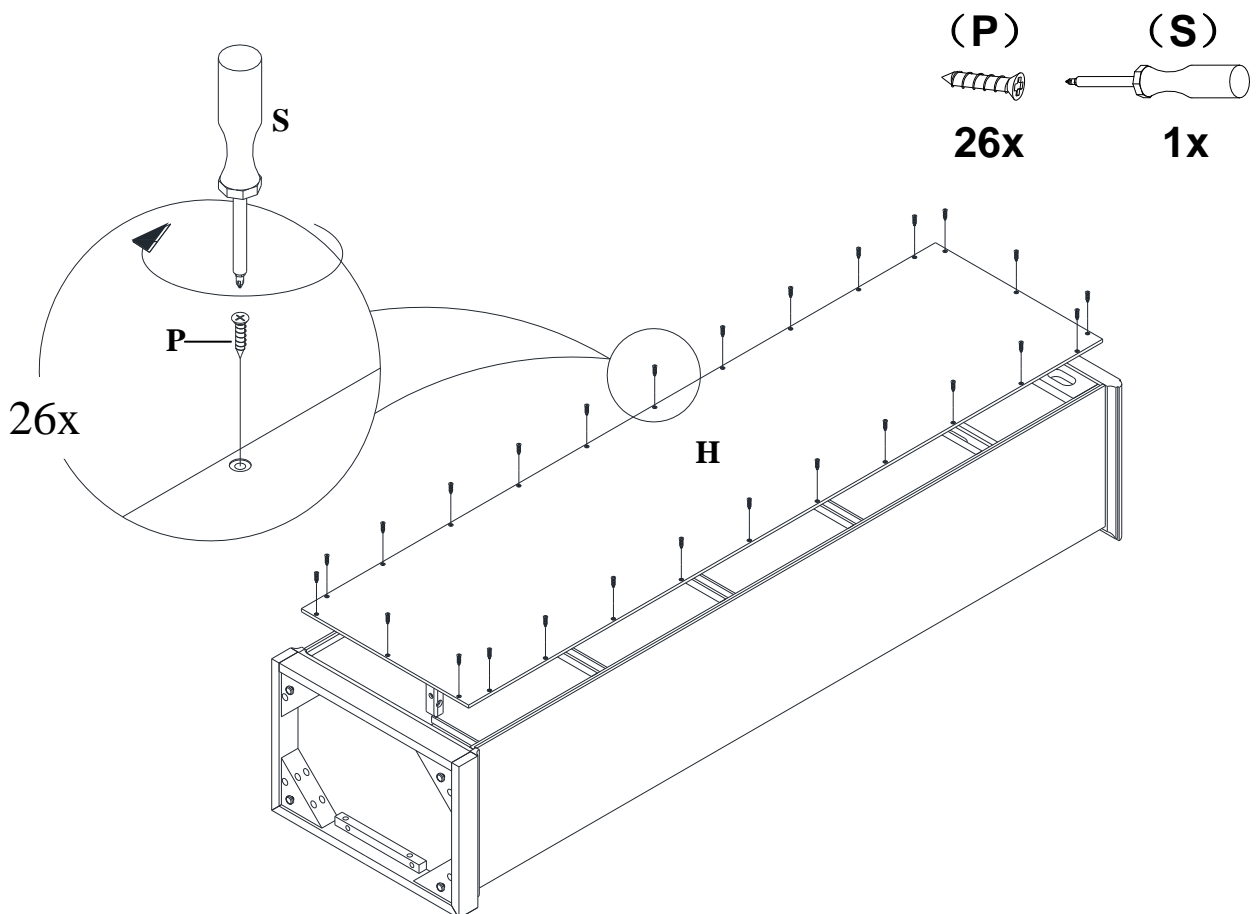
3. Attach Dowel 8 x 30mm (R) on top of Side panel, Front Frame, and Back Frame. Then assemble Top panel (A), using JCBC Bolts M6 x 32mm (I), Lock Washer (N), and Flat washer (O). Tighten the Bolts with Allen Key (M). At the same time, insert the Round Head Screw 8 x 38mm (Q) to the Front Frame (D) and Back Frame (E) hole (at the center). Tighten the screws using a Phillips screw driver (not included).



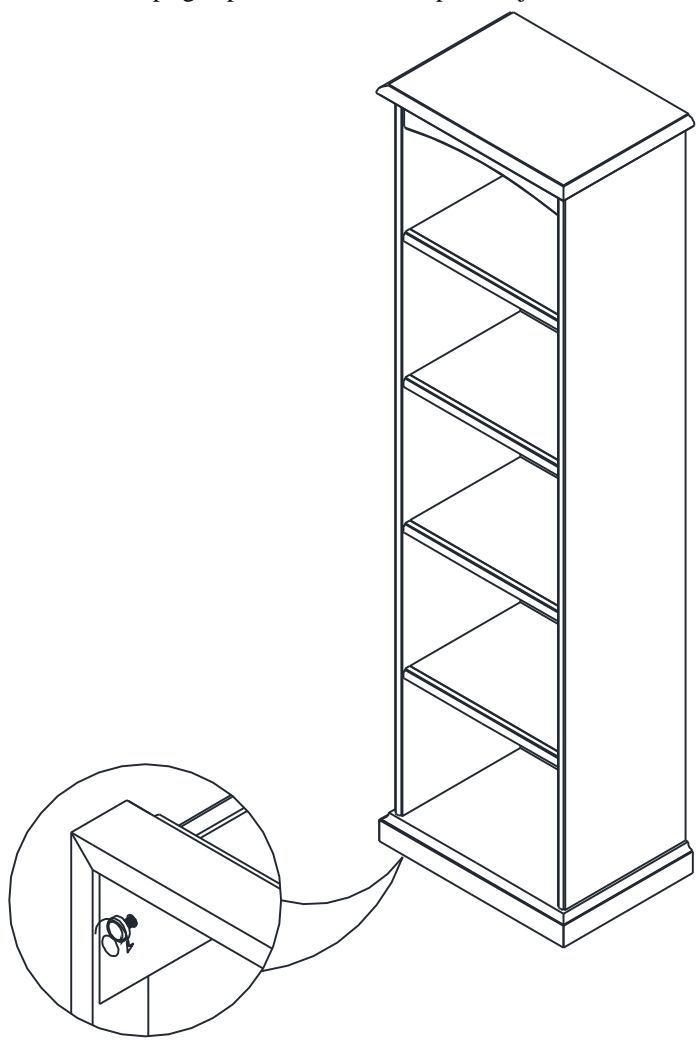
4. Assemble the Base (G) using JCBC Bolt M6 x 70mm (K), Lock Washer (N), Flat washer (O), and Dowel 8 x 30mm (R) with the Allen key (M), as shown in the picture below.



5. Position the Back Panel (H) on the Back of the Storage tower as shown in the picture below. Insert 26 of the 6x19mm Screws (P) into the pre-drilled holes on the Back Panel (H). Tighten with a Phillips Head screw driver (not included).



6. Slowly turn the Storage tower to the upright position with a helper. Adjust levelers under legs to balance the tower if necessary.



CARE INSTRUCTIONS:

- Dust often using a clean, soft, dry, lint-free cloth.
- Blot spills immediately, and wipe with a clean, damp cloth.
- We do not recommend the use of chemical cleansers, abrasives or furniture polish.