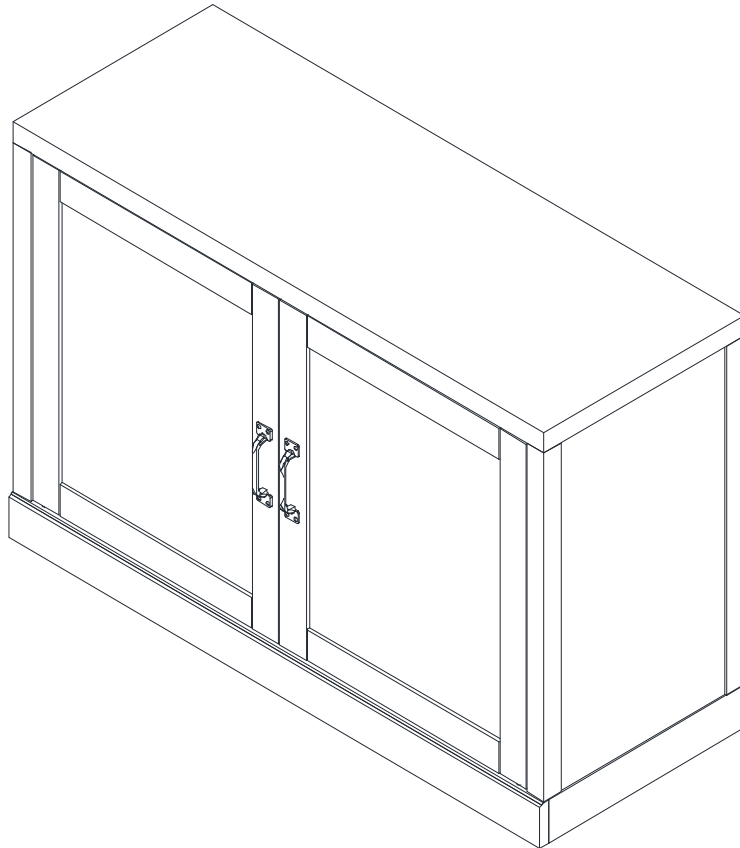


# pottery barn kids



## **PRESTON MEDIA BASE**

[www.potterybarnkids.com](http://www.potterybarnkids.com)

Imported by / Importé par  
Pottery Barn Kids  
3250 Van Ness, San Francisco, CA 94109



## WARNING

For use with televisions weighing **130 lbs / 59 (Kg)** or less with a maximum width of **45-1/4 inches / 114.9 (cm)** which represents the overall width or inside dimension of the unit the TV will be placed on. Attention: this unit is not rated for use with a CRT type television.



## WARNING

Death or serious injury may occur when children climb on audio and/or video equipment furniture. A remote control or toys placed on the furnishing may encourage a child to climb on the furnishing and as a result the furnishing may tip over on to the child.



## WARNING

Relocating audio and/or video equipment to furniture not specifically designed to support audio and/or video equipment may result in death or serious injury due to the furnishing collapsing or over turning onto a child.

All other support shelves should not be loaded more than 25 lbs.

**DO NOT EXCEED RECOMMENDED LOAD.** Use with heavier televisions may result in instability causing tip over resulting in death or serious injury.

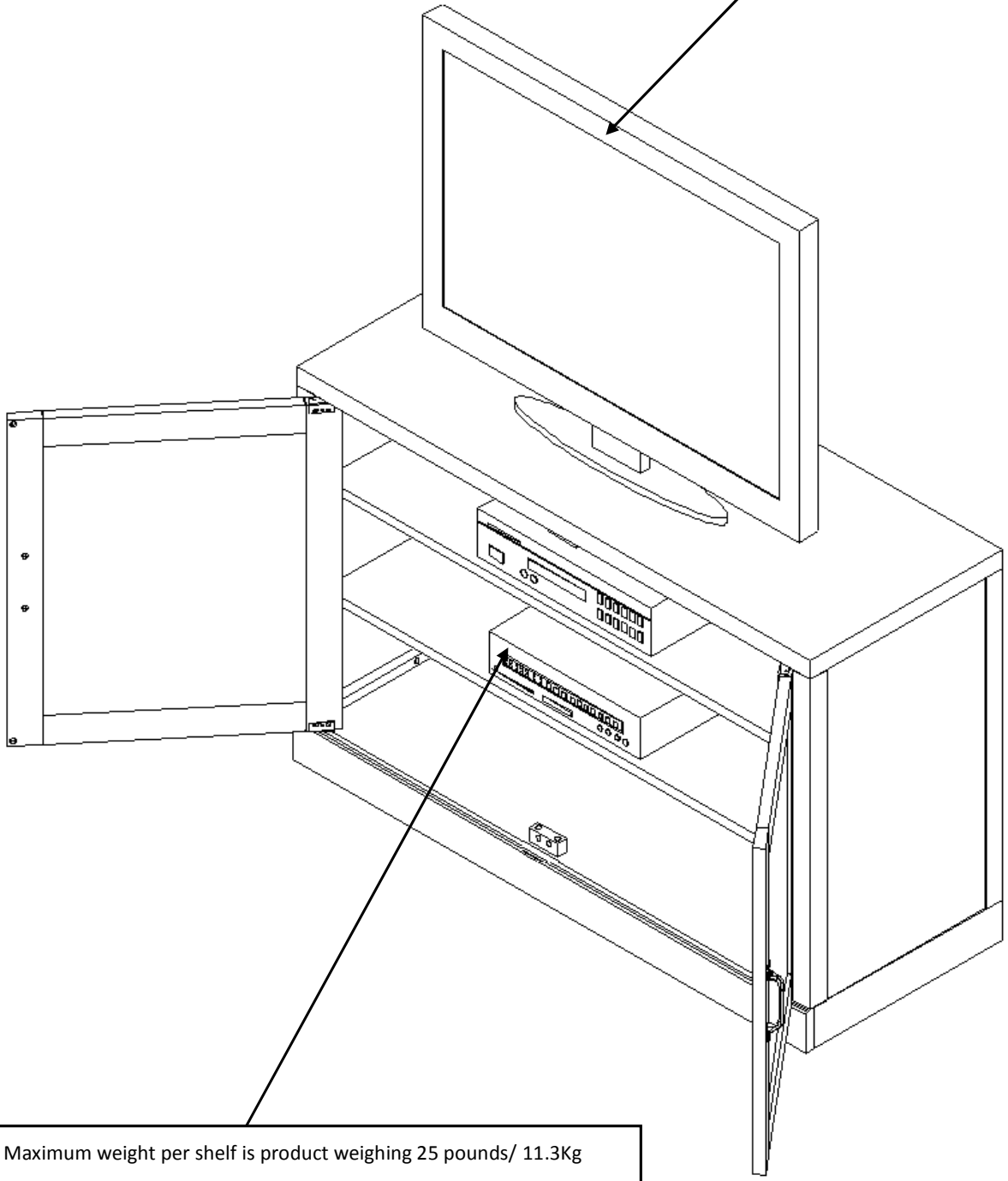
Please use caution when using electrical equipment. Improper use could result in the risk of fire, electric shock or injury to persons associated with the use of this unit during operation, user-maintenance, loading, storage, and, as applicable, electrical issues including grounding or double-insulation.

Electronic components generate heat that may cause damage to the equipment. Please refer to the manufacturer's owner's manual for space and ventilations requirements.

Do not allow children under 16 years to move cart.

04-000077-3

For use with televisions weighing **130 lbs** / **59 (Kg)** or less and with a maximum width of **45-1/4 inches** / **114.9 (cm)**



Maximum weight per shelf is product weighing 25 pounds/ 11.3Kg

**Important Safety Instructions:**

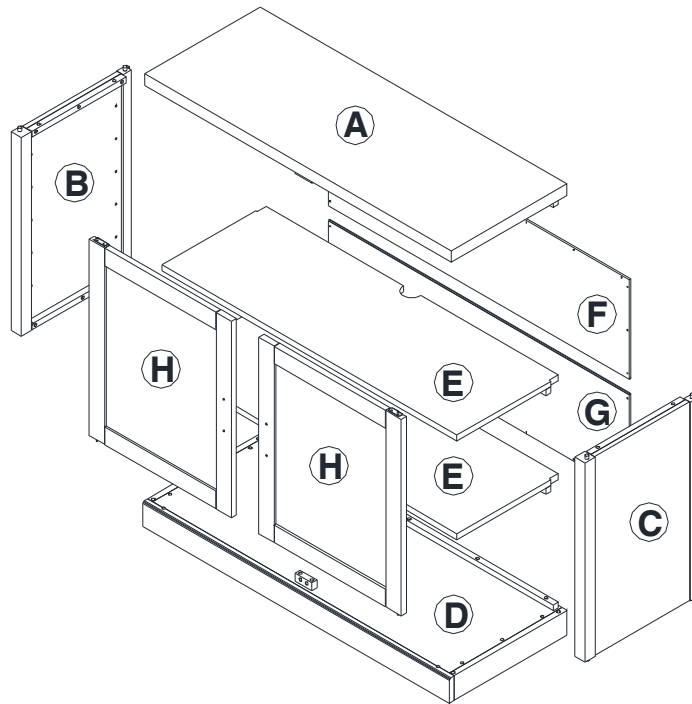
- Please read all instructions carefully before assembling this Media Base.
- For your safety, assembly by two or more adults is strongly recommended.
- Keep these instructions for future use.
- Use only vendor-supplied hardware to assemble this item. Using unauthorized hardware could jeopardize the structural integrity of the item.

**Pre-assembly:**












- Remove all parts and hardware from the box. Place all items on a carpeted or scratch-free work surface, as this will avoid damaging the parts during assembly. The shipping box provides an ideal work surface.
- To avoid accidentally discarding small parts or hardware, do not dispose of any packaging or contents of the shipping carton until assembly is complete.
- Use the parts and hardware lists below to identify and separate each of the pieces included.
- The illustrations provided allow for easier assembly when used in conjunction with the assembly instructions.
- The use of power tools to aid in assembly is not recommended. Power tools can damage the hardware and split the wood.

**Parts Included:**


- (A) Top Panel (1x)
- (B) Left Side Panel (1x)
- (C) Right Side Panel (1x)
- (D) Bottom Panel (1x)
- (E) Shelves (2x)
- (F) Upper Back Panel (1x)
- (G) Lower Back Panel (1x)
- (H) Door (2x)



**Hardware Included:**

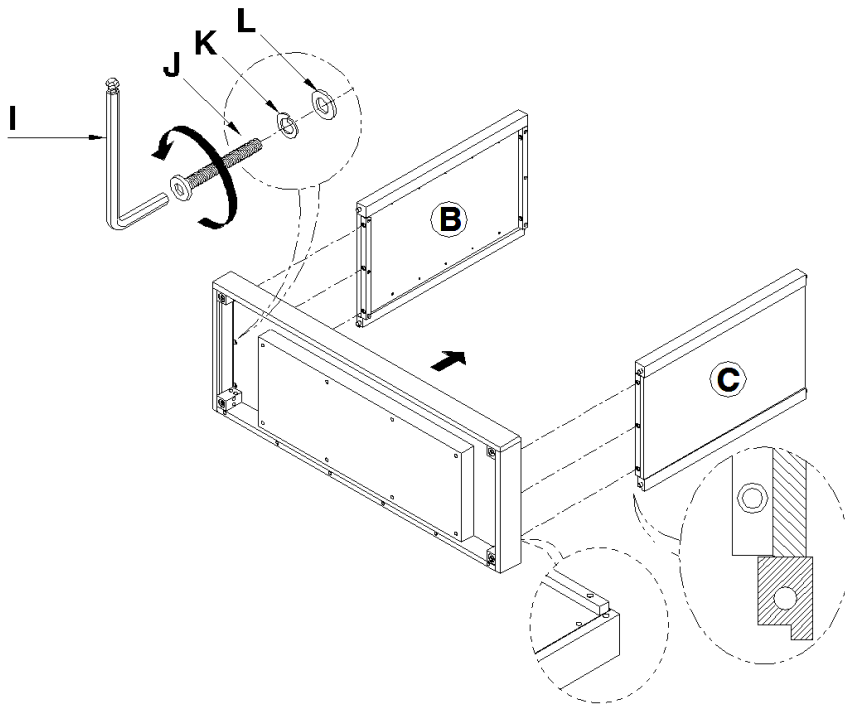
 (I) Allen Key – 1x	 (J) Short Bolt (1/4"x28mm) – 10x	 (K) Spring Washer (1/4") – 10x
 (L) Flat Washer (1/4") – 10x	 (M) Shelf Support Peg – 8x	 (N) Plastic Cap – 4x
 (O) Wood Screw 3.5x19mm – 26x	 (P) Door Handle – 2x	 (Q) Machine Screw (5/32"x22mm) – 4x
 (R) Metal Bracket – 1x	 (S) Short Screw (3x12mm) – 4x	

**Tools Required:**

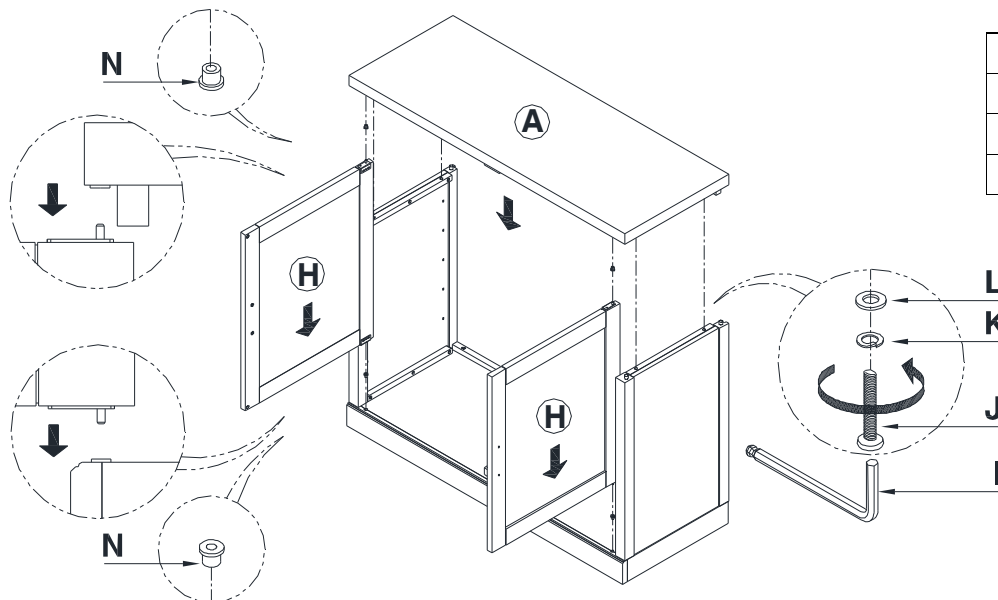
Phillips Head Screwdriver (not included) 

**Assembly Instruction Steps:**

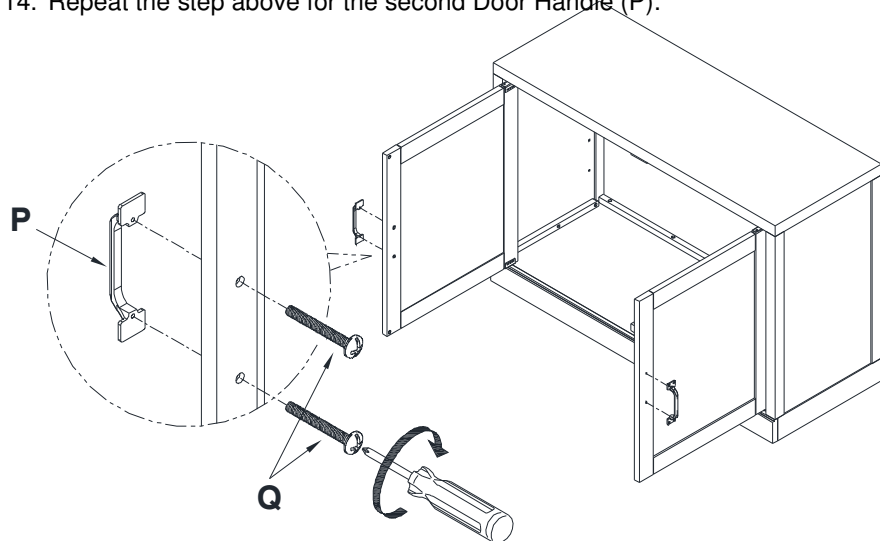
1. Attach the Left and Right Side Panel (B&C) to the Bottom Panel (D), by aligning the pre-drilled holes with the wooden dowels, as seen in the illustration below. Make sure the ledge on the Bottom Panel (D) and the cut-out on the Side Panel Frame (B&C) face downward, as shown below.
2. Secure with 6 sets of Short Bolt (J), Spring Washer (K), and Flat Washer (L), as shown below.
3. Loosely tighten the bolts with Allen Key (I).



4. With the help of another person, carefully turn the assembled Media Base upright.
5. Insert 2 Plastic Caps (N) into the pre-drilled holes, located on the Bottom Panel (D), and insert the other 2 Plastic Caps (N) into the pre-drilled holes on the Top Panel (A), as seen below.
6. Attach the 2 Doors (H) by aligning the metal pivots with the Plastic Caps, which are installed on the Bottom Panel (D), as shown below.
7. Attach Top Panel (A) by aligning the Plastic Caps, with the metal pivots on the top of the 2 Doors (H), as shown below.
8. Secure with 4 sets of Short Bolt (J), Spring Washer (K), and Flat Washer (L), as shown below.
9. Loosely tighten the bolts with Allen Key (I).
10. Check alignments before tightening all bolts.

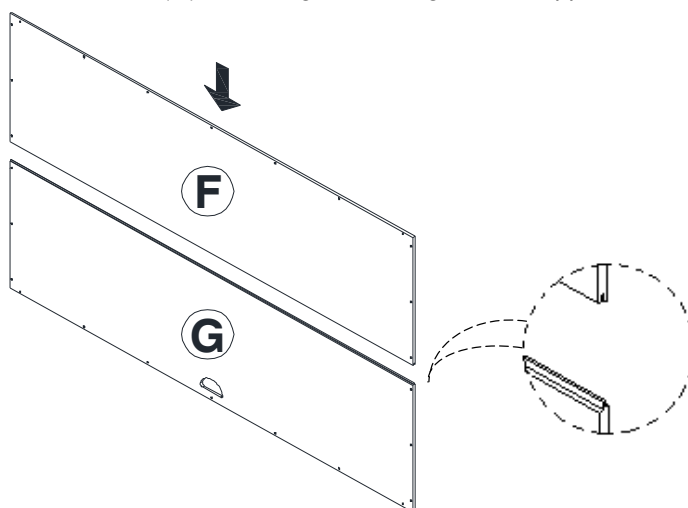


11. Place 1 Door Handle (P) over the pre-drilled holes on one of the Doors, as seen below.
12. Insert 2 Machine Screws (Q) through the pre-drilled holes of the Door and into the Door Handle (P), as shown below
13. Tighten the Machine Screws by using a Philips Head Screwdriver (not included).
14. Repeat the step above for the second Door Handle (P).

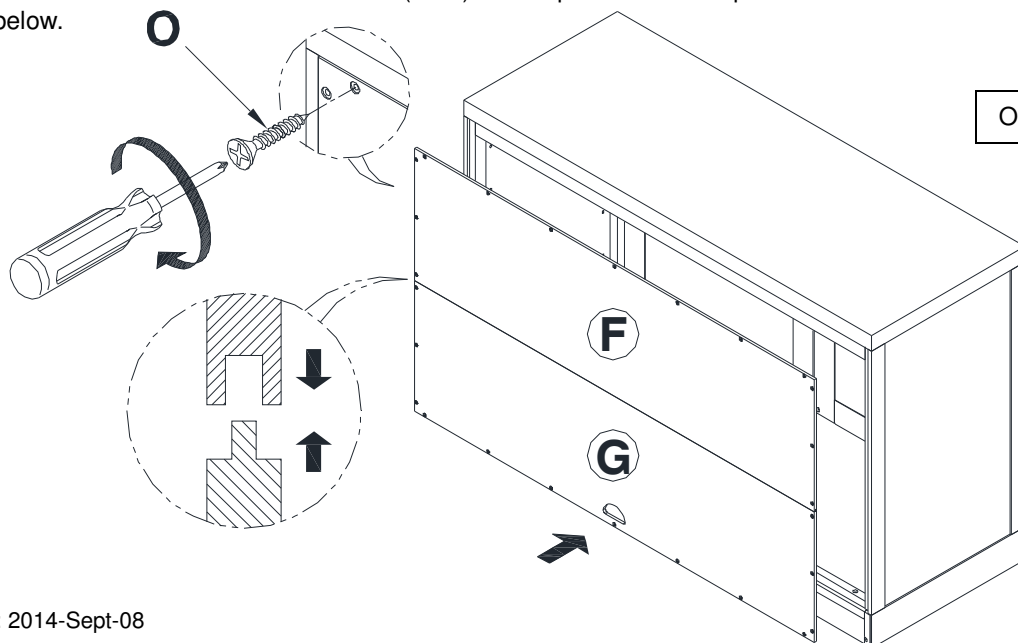


P		2x
Q		4x

15. Slot the protruding edge of the Lower Back Panel (G) into the grooved edge of the Upper Back Panel (F), as shown in the illustration below.

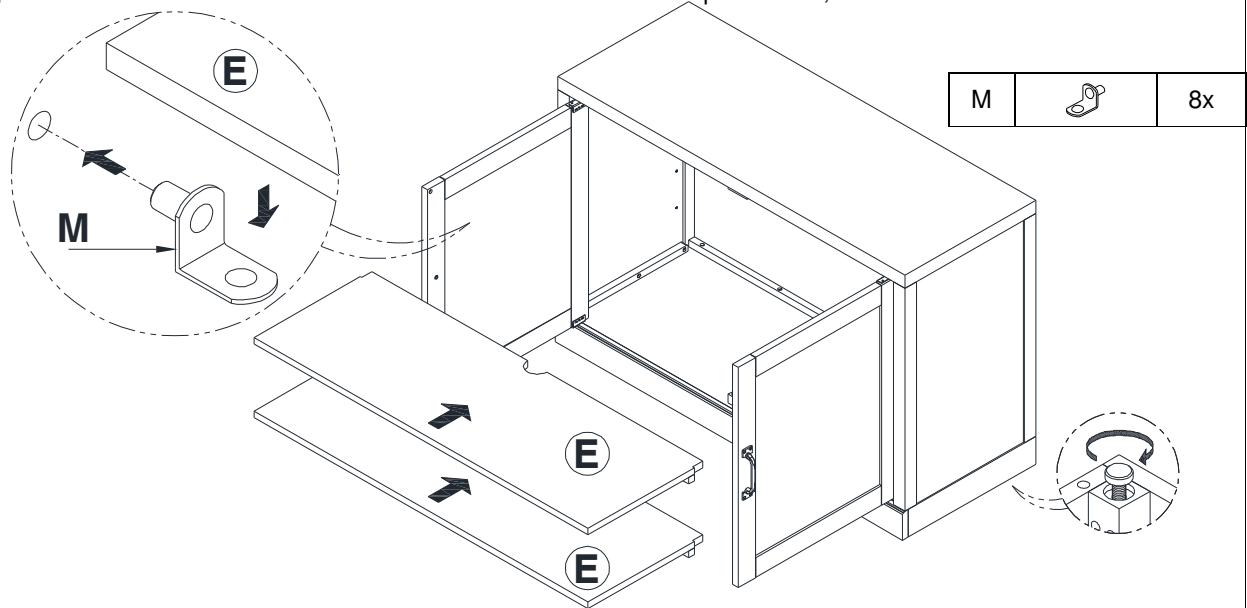


16. Attach the assembled Back Panels (G&F) to the pre-assembled piece with 26 Wood Screws (O), as shown below.



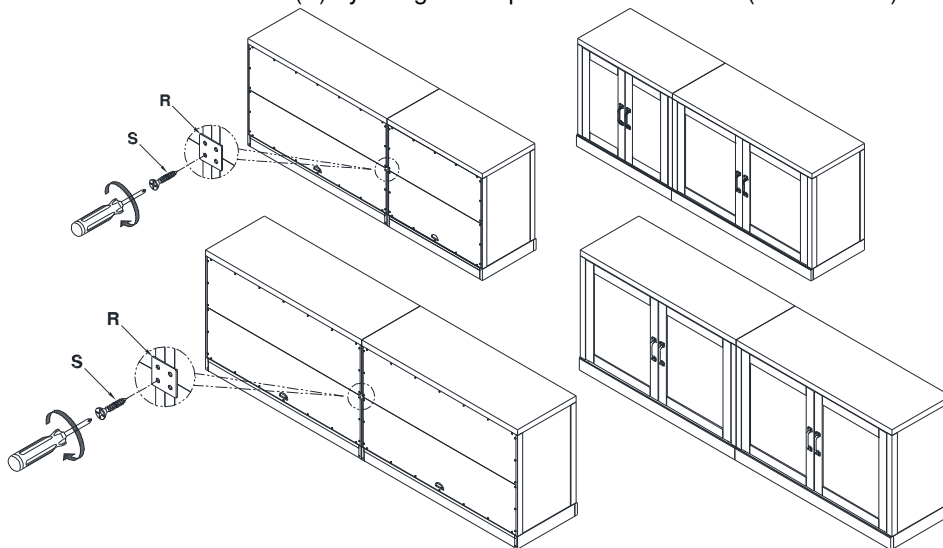
O		26x
---	--	-----

17. Insert the 8 Shelf Support Pegs (M) into the corresponding holes inside the assembled Media Base.
18. Place the 2 Adjustable Shelves (E) onto the Shelf Support Pegs, as seen below. Ensure each shelf is stable.
19. Adjust the levelers located on the bottom of the Media Base to keep unit level, as needed.



**Multiple Media Bases can be combined together, by following the assembly instructions below:**

20. Place the Media Bases in their desired location.
21. Align the Media Bases together, as seen below.
22. Place 1 Metal Bracket (R) over the pre-drilled holes, on the rear side of the Media Bases, as shown below.
23. Secure with 4 Short Screw (S) by using a Phillip Head Screw Driver (not included).



24. **NOTE: Installation of the Anti Tip Kit is REQUIRED.** Please follow the separate instructions to secure the Media Base to the wall by using the tipping-restraint kit included.

**Care Instructions:**

- Dust often using a clean, soft, dry, and lint-free cloth.
- Blot spills immediately and wipe with a clean, damp cloth.
- We do not recommend the use of chemical cleansers, abrasives, or furniture polish on our lacquered finish.
- Hardware may loosen over time. Periodically check to make sure all connections are tight. Re-tighten if necessary.

Thank you for your purchase  
 Stores | catalog | [www.potterybarnkids.com](http://www.potterybarnkids.com)  
 USA 1.800.290.8181

# pottery barn kids

## FURNITURE TIPPING RESTRAINT

**WARNING:** This product is only a deterrent. It is not a substitute for proper adult supervision. Manufacturer assumes no liability for improper installation or excessive loads placed on screws, brackets or straps.

Young children may be injured by tipping furniture and the use of a tipping restraint is highly recommended.

When properly installed, this restraint will provide protection against tipping of furniture. This tipping restraint **MUST** be secured to a wall-stud or wall structure of similar strength.

---

Hardware included: (2) Brackets (1) Nylon Strap  
(2) Long Stud Mounting Screws (2) Short Furniture-Side Mounting Screws

Note: For safe mounting it is essential to use the proper hardware for your wall type. The included hardware is for drywall or stud mounting only. For other wall types (e.g., plaster, concrete and brick) please consult your local hardware store for fastener advice.

To install:

**1) LOCATING THE STUDS:** Use a stud finder to locate the vertical wooden studs within your wall located behind the final position of the furniture item. Mark the stud locations with a light pencil-mark.

**2) MOUNTING THE FURNITURE-SIDE BRACKET:** Move the furniture item close to the wall to its final position. Use pieces of tape or a pencil to transcribe the stud locations of the wall onto the furniture item. Move the furniture item again so you can access its back and use the marks to locate a suitable mounting point for the furniture-side bracket. Make sure that the bracket is secured to a firm portion of the furniture frame and as high as possible. Remember: The furniture-side bracket must be positioned near a wall stud. Using a pencil, and the bracket as a guide, mark "screw marks" on the furniture item through the bracket holes.

Use a 3/32" drill bit to drill pilot holes into the furniture item at the "screw marks". Use the TWO Short screws to secure the furniture-side bracket. This bracket can be positioned either vertically or horizontal as necessary (See Figure 1).

**3) MOUNTING THE WALL-SIDE BRACKET:** Position the wall-side bracket along the selected stud mark so that it will be adjacent the furniture-side bracket when the furniture item is moved to its final position. The wall-side bracket should be about ONE inch lower than the furniture-side bracket (See Figure 3). Use the TWO Long screws to secure the wall-side bracket to the wall. Remember to position the wall-side bracket vertically so that both screws will engage the selected wall stud (See Figure 2).

**4) ATTACHING THE STRAP:** When both brackets are securely attached, move the furniture to its final desired position and thread the strap through the openings of each bracket and also through the ratcheting "buckle". Tighten the strap until several "clicks" are heard. The furniture item is now securely tethered to the wall.

Note: If you must move the furniture item, you can release the strap by depressing the lever arm located at its buckle and simultaneously withdrawing the strap from the buckle. Make sure to reconnect the strap once the furniture item is returned to its previous position.

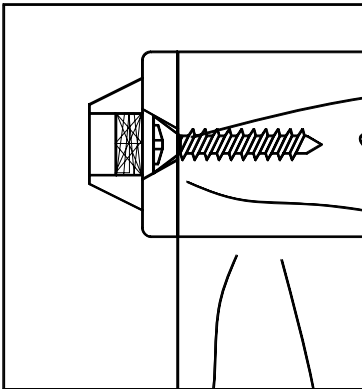


Figure 1

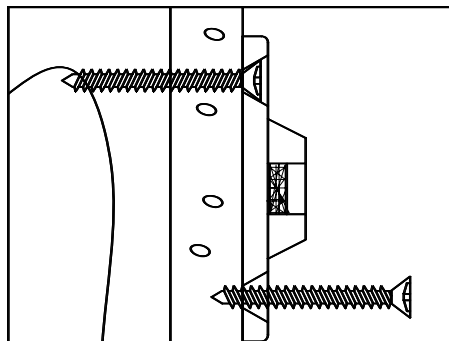


Figure 2

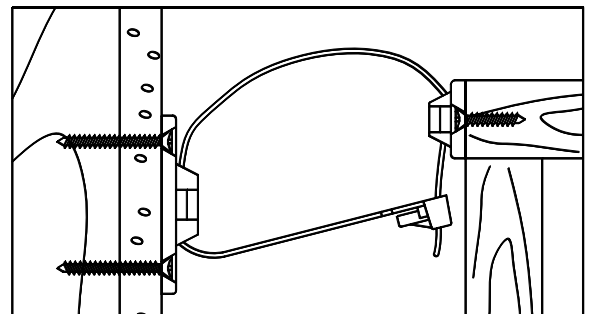


Figure 3