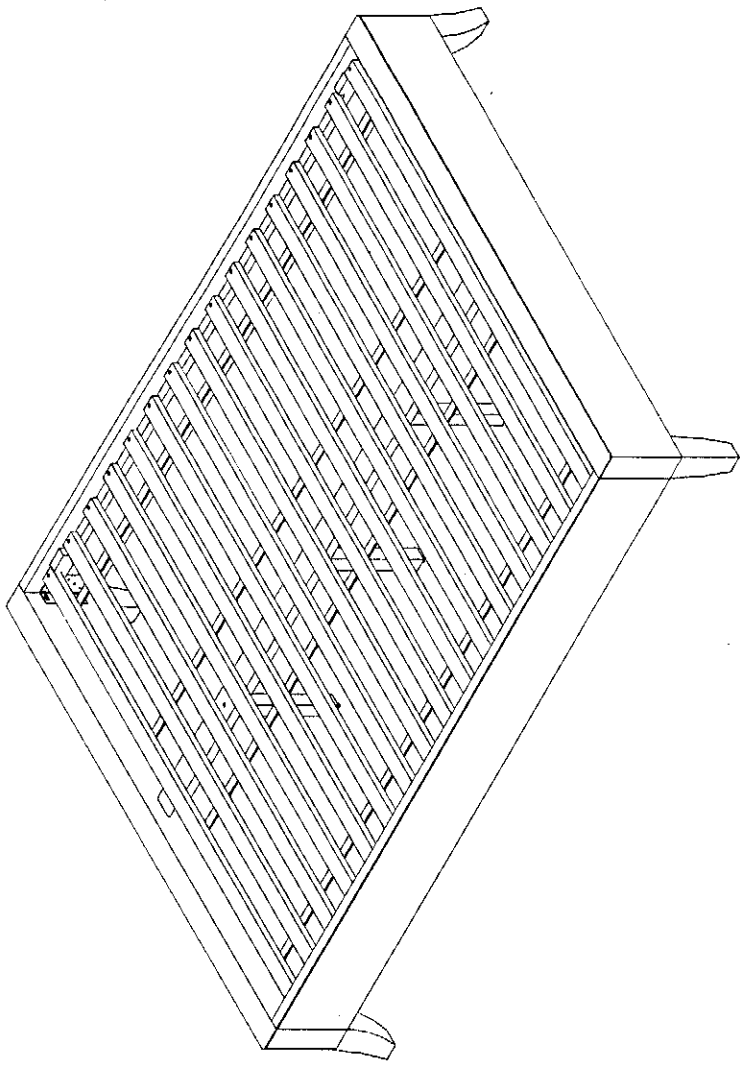


POTTERYBARN



FILLMORE BED (KING, QUEEN, CK)

Date: 24-Apr-14
Rev:

www.potterybarn.com

Page 1 of 4

Important Safety Instructions:

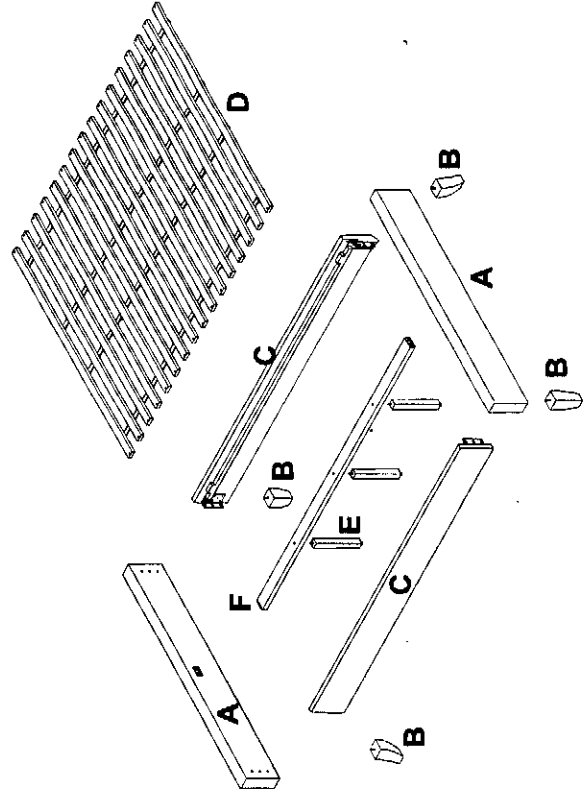
- Please read all instructions carefully before assembling.
- For your safety, assembly by two or more adults is strongly recommended.
- Keep instructions for future use.
- Use only vendor supplied hardware to assemble. Using unauthorized hardware could jeopardize the structural integrity of the item.

Pre-assembly:

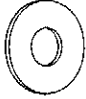
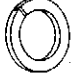



- Remove all parts and hardware from the box and lay out on a clear carpeted or scratch-free work surface, as this will avoid damaging parts during assembly. The shipping box provides an ideal work surface.
- Do not dispose of any packaging or contents of the shipping carton until assembly is completed to avoid accidentally discarding small parts or hardware.
- Use the parts and hardware lists below to identify and separate each of the pieces included.
- The illustrations provided allow for easier assembly when used in conjunction with the assembly instructions.
- The use of power tools to aid in assembly is not recommended. Power tools can damage hardware and split wood.

Parts Included:

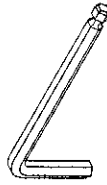
(A)	Low Headboard	2x
(B)	Leg	4x
(C)	Side Rail	2x
(D)	Slat Roll	1x
(E)	Support leg	3x
(F)	Middle Beam	1x



Hardware Included:

(G) Flat Washer  Dia. 5/16"x3/4" 12x	(H) Spring Washer  Dia. 5/16" 12x	(I) Bolt  Dia. 5/16"x2-1/4" 12x	(J) Screw  32x	(K) Plastic washer  4x
---	---	--	--	--

Tools Required:



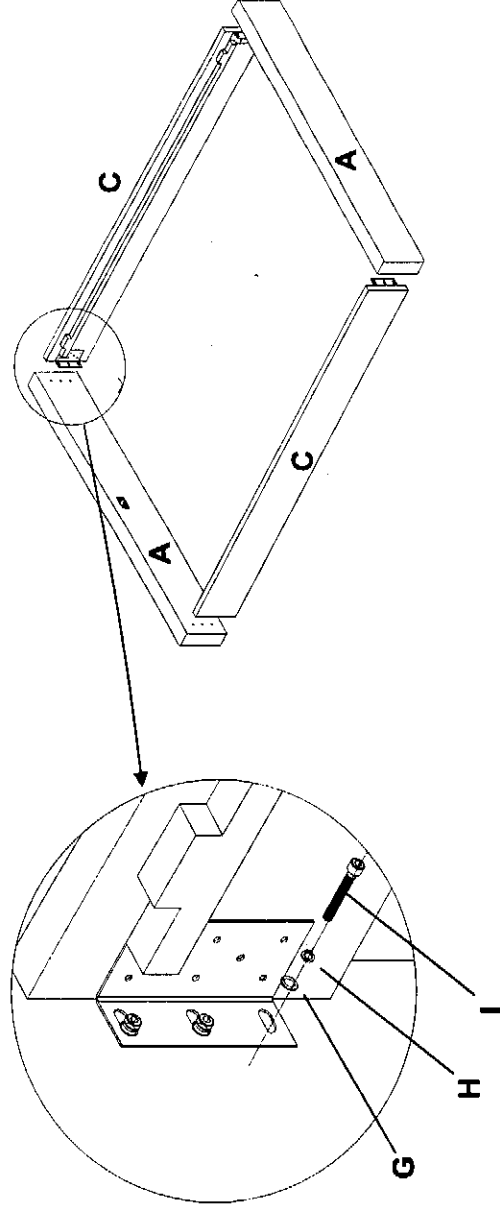
(L) Allen Key 5mm (included):



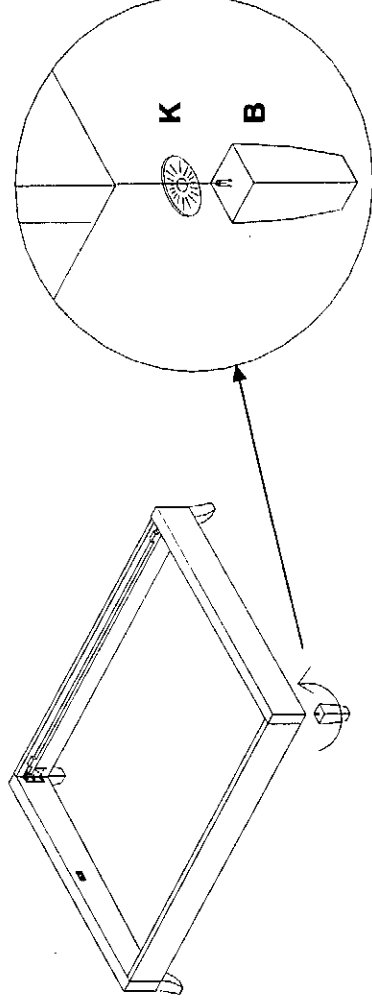
Phillips Head Screwdriver (not included)

Assembly Instruction Steps:

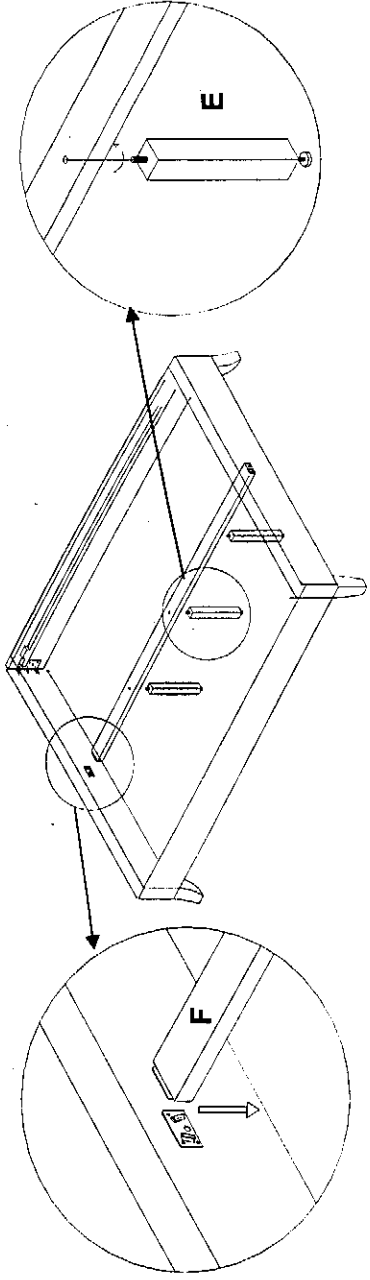
1. Attach Side Rail (C) to Headboard (A) as shown, insert Bolt (I) thru Spring Washer (H) and Flat Washer (G), tighten with Allen Key (L).



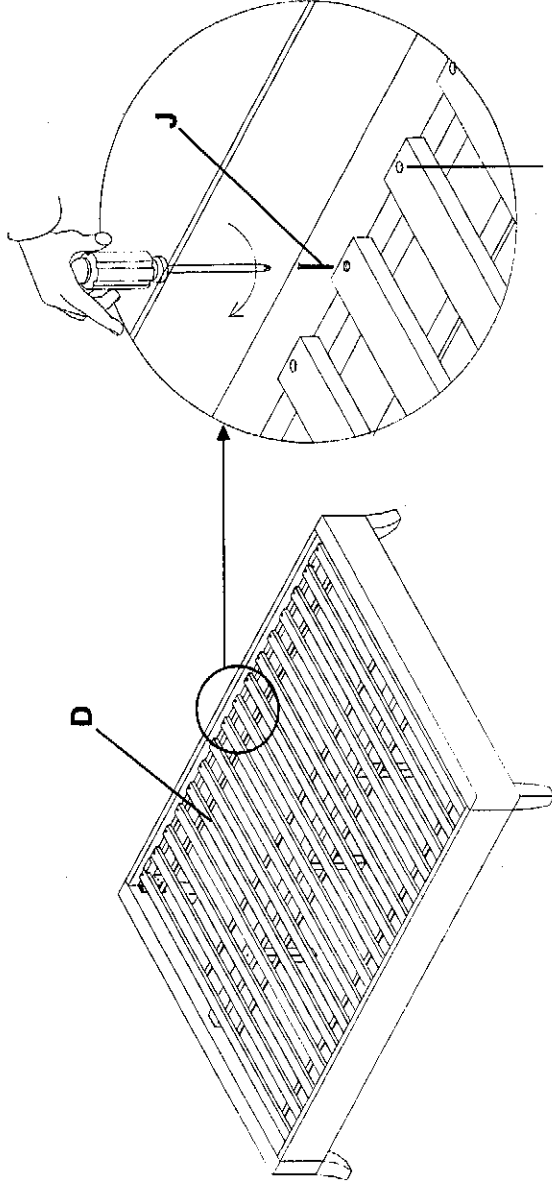
2. Screw the Leg (B) into the bottom of Headboard thru Plastic Washer (K).



3. Screw the Support Leg (E) to Middle Beam (F), and attach middle beam to headboard as shown.



4. Place the Slat Roll (D) on the bed, fix with screw (J), and tighten with Phillips Head Screwdriver. Assembly is complete!



Countersink hole towards up.

Care Instructions:

- Dust often using a clean, soft, dry and lint-free cloth.
- Blot spills immediately and wipe with a clean, damp, cloth.
- We do not recommend the use of chemical cleansers, abrasives or furniture polish on our lacquered finish.
- Hardware may loosen over time. Periodically check to make sure all connections are tight. Re-tighten if necessary.

Thank you for your purchase
Stores | catalog