

pottery barn kids

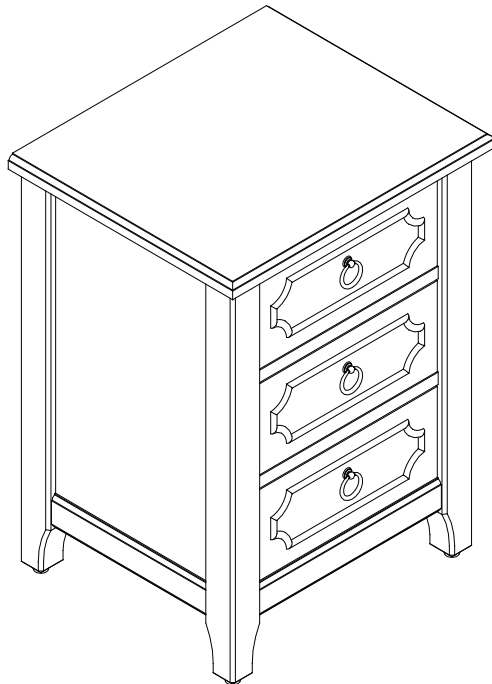
REGENCY NIGHTSTAND

PRE-ASSEMBLY:

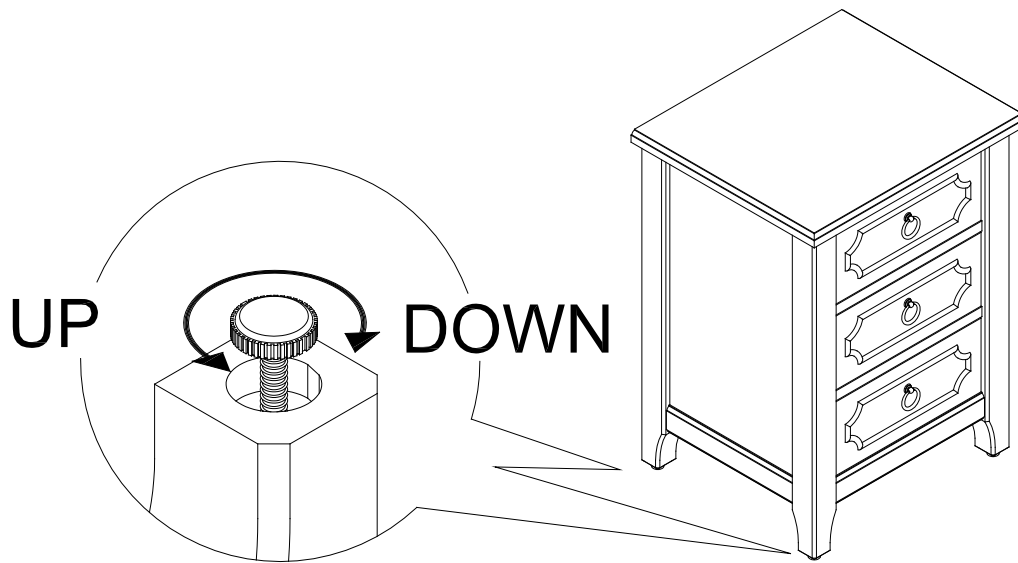
- Please read all instructions before beginning assembly.
- Assembly by two adults is recommended for your safety and ease.
- Remove all parts and hardware from the box, and lay them out on a carpet or scratch-free work surface. The shipping box provides an ideal work surface.
- To avoid accidentally discarding small parts or hardware, do not dispose of any contents until assembly is completed. Use the parts and hardware lists to identify and separate each of the pieces included.
- Note: Do not fully tighten the bolts until all parts are in place. Failure to follow these instructions may cause the bolts to misalign during assembly.
- The use of power tools for assembly is not recommended. Power tools can damage hardware or split wood.

ASSEMBLY INSTRUCTIONS:

- Put the Nightstand into the upright position.



- If necessary, adjust the levelers at the bottom of the posts to balance the Nightstand. See the illustration below.



CARE INSTRUCTIONS:

- Dust often using a soft, dry, and lint-free cloth.
- Blot spills immediately, and wipe with a clean, damp cloth.
- We do not recommend the use of chemical cleansers, abrasives or furniture polish.

Thank you for your purchase
stores | catalog | www.potterybarnkids.com
USA 1.800.290.8181