

pottery barn kids

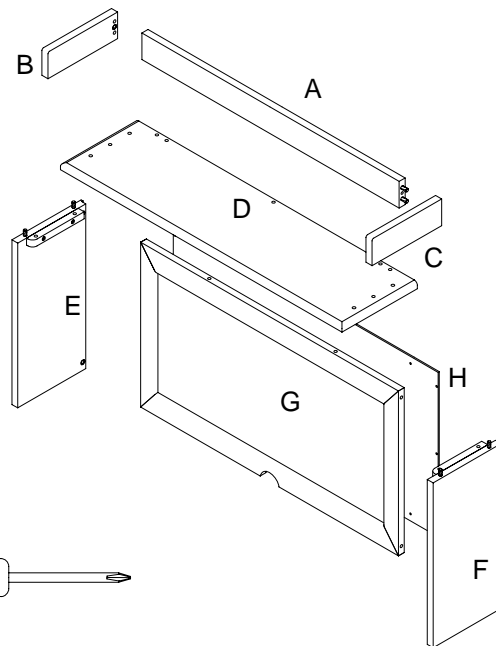
KENDALL SMALL DESK HUTCH

PRE-ASSEMBLY:

- Please read all instruction before beginning assembly. The illustrations provided allow for easier assembly when used in conjunction with the assembly instructions.
- Remove all parts and hardware from box and lay out on a carpeted or scratch-free work surface, as this will avoid damaging any parts during assembly. The shipping box provides an ideal work surface. Do not dispose of any contents until assembly is completed to avoid accidentally discarding small parts or hardware.
- For your safety and ease, assembly by two adults is recommended.
- Save all packing materials until assembly is complete to avoid accidentally discarding smaller parts or hardware.
- Use the parts and hardware lists to identify and separate each of the pieces included prior to starting assembly.
- Note: Do not fully tighten all bolts until all parts are in place. Failure to follow these instructions may cause the bolts to misalign during assembly.
- If using power tools to aid in assembly please use caution. Power tools can damage hardware or split wood.

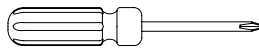
PARTS INCLUDED:

- (A) Top Back Rail -1pc
- (B) Top Left Rail -1pc
- (C) Top Right Rail -1pc
- (D) Top Panel -1pc
- (E) Left Side Board -1pc
- (F) Right Side Board -1pc
- (G) Back Corkboard -1pc
- (H) Back Panel -1pc



TOOLS REQUIRED:

Phillips Head Screwdriver (not included)

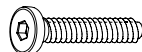


HARDWARE ENCLOSED:

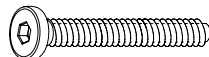
(I) 4mm Allen Key - 1pc



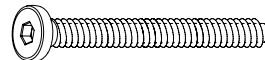
(J) 1/4" x1" Allen Bolt - 9pc



(K) 1/4"x1-3/8" Allen Bolt - 2pcs



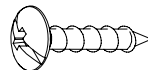
(L) 1/4"x2" Allen Bolt - 4pcs



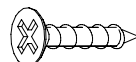
(M) Curve Washer - 6pcs



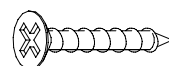
(N) #3.5x15mm Round Head Screw -14pcs



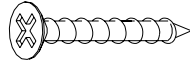
(O) #3.5x15mm Flat Head Screw - 4pcs



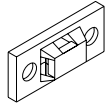
(P) #8X20mm Screw - 2pcs



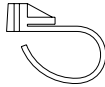
(Q) #8X30mm Screw - 2pcs



(R) Bracket - 2pcs



(S) Nylon Strap - 1pc



(T) Mending Plate - 2pcs



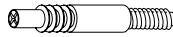
(U) Felt Pad - 4pcs



(V) Cam - 2pcs



(W) Cam Screw - 2pcs

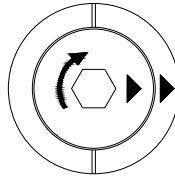


(X) 6mm Allen Key - 1pc



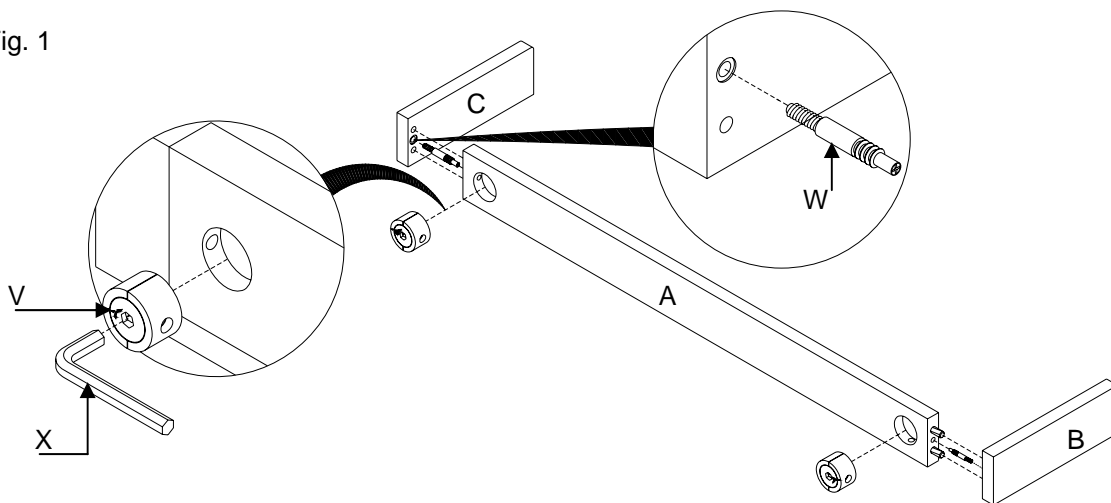
ASSEMBLY INSTRUCTIONS:

Note: Align outer arrow on Cam (V) with inner arrow at center of Cam prior to insertion into the countersink.



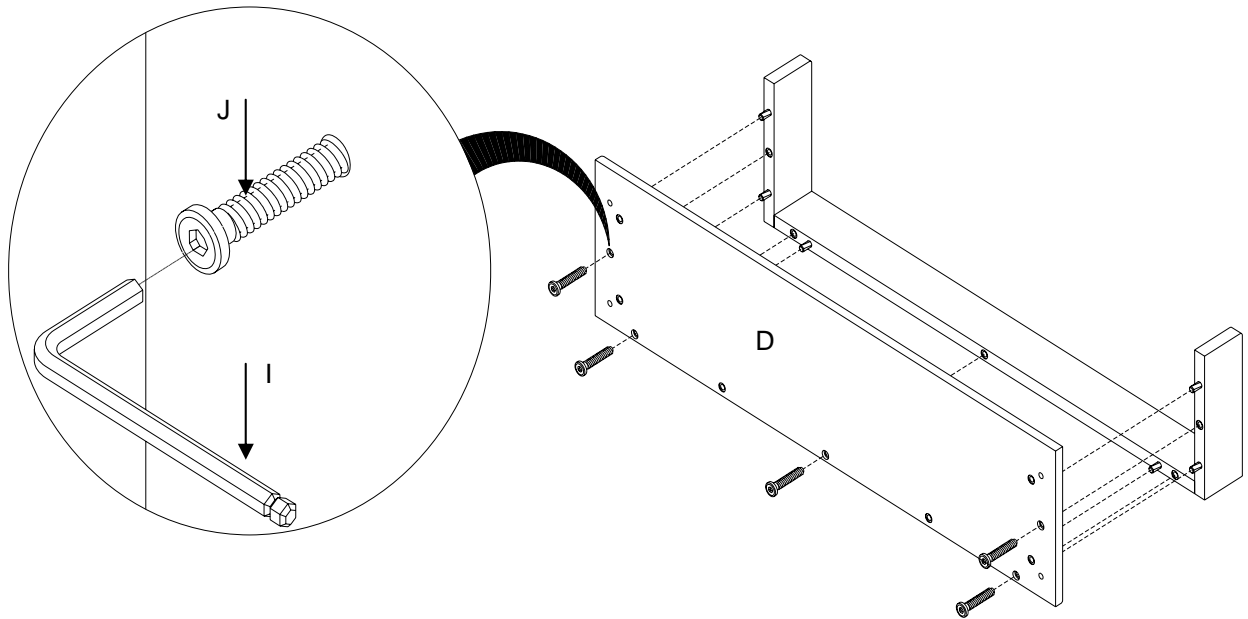
1. Screw the (2) Cam Screw (W) fully inserted into the pre-drilled holes on the (1) Top Left Rail (B) and the (1) Top Right Rail (C) exactly as shown in Figure 1. Insert the (2) Cam (V) into the pre-drilled holes on Top Back Rail (A) with the arrow mark on the Cam (V) aligned with the cross pre-drilled hole at the end of rail. Position the (1) Top Back Rail (A), the (1) Top Left Rail (B) and the (1) Top Right Rail (C) exactly as shown in Figure 1 with the wooden dowels on the Top Back Rail (A) fully inserted into the pre-drilled holes on the (1) Top Left Rail (B) and the (1) Top Right Rail (C) and the Cam Screw (W) on the Top Left Rail (B) and the Top Right Rail (C) are fully inserted into the Cam (V) which has just inserted. Tighten all Cam (V) securely with 6mm Allen Key (X) provided.

Fig. 1



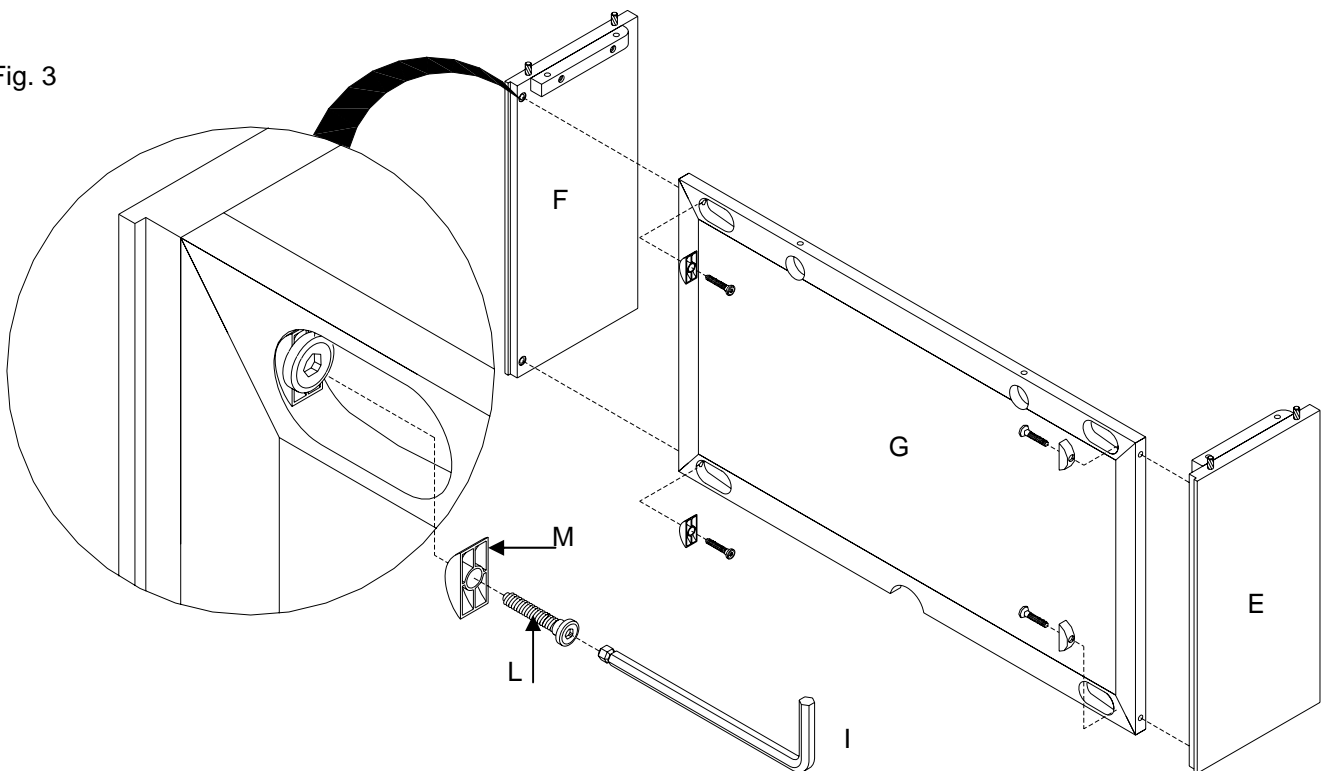
2. Position the (1) Top Panel (D) onto the frame (assembled in step 1) with wooden dowels on the frame fully inserted into the pre-drilled holes on the (1) Top Panel (D). Align the pre-drilled holes on the (1) Top Panel (D) to the pre-drilled holes on the frame (assembled in step 1), insert (5) 1/4"x1" Allen Bolt (J) into the pre-drilled holes on bottom of the (1) Top Panel (D) and tighten securely with 4mm Allen Key (I) provided.

Fig. 2



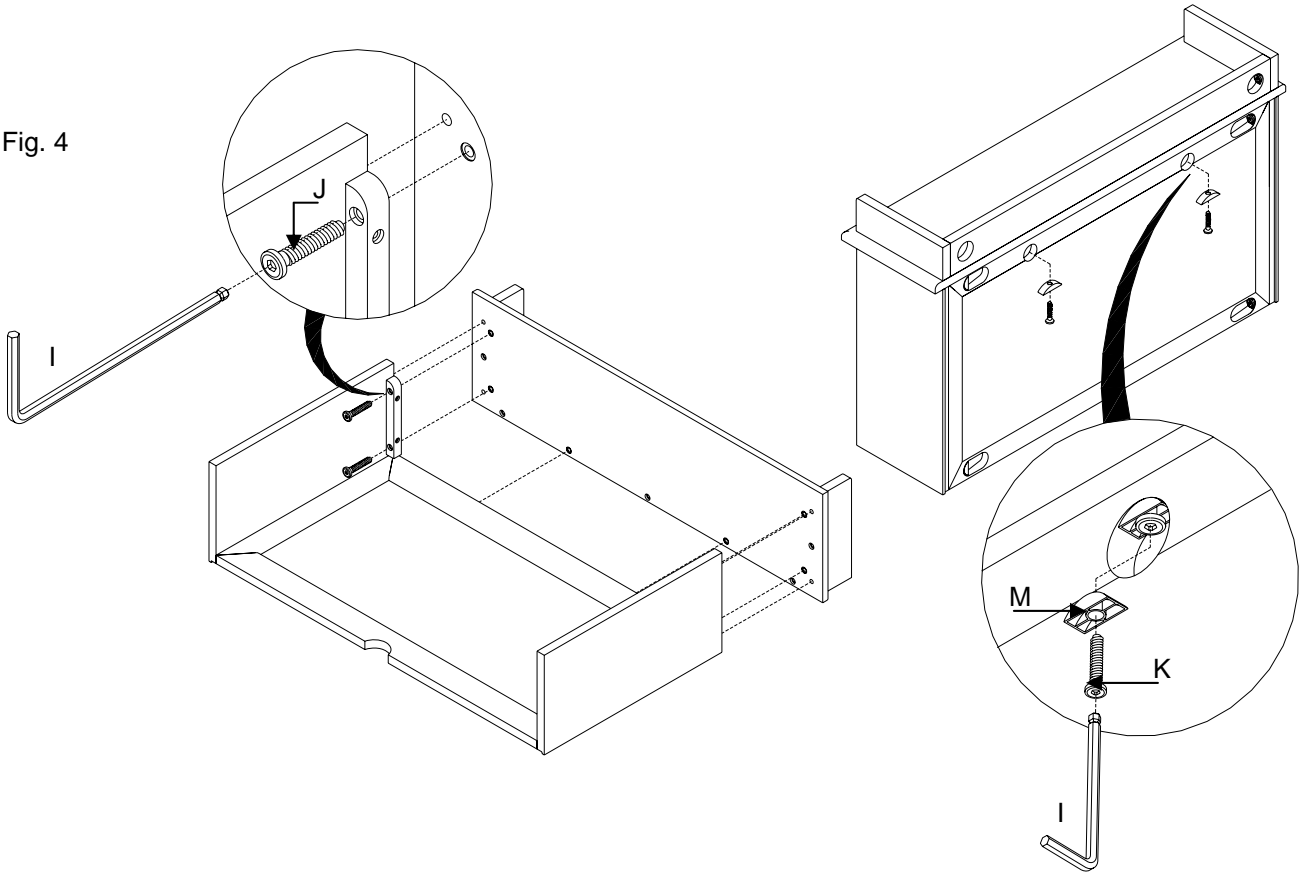
3. Position the (1) Left Side Board (E), the (1) Right Side Board (F) and the (1) Back Corkboard (G) exactly as shown in the Figure 3. Align the pre-drilled holes at the corner of the (1) Back Corkboard (G) to the pre-drilled holes at the corner of the Side Boards (E) & (F). Insert (4) 1/4"x2" Allen Bolt (L) through the (4) Curve Washer (M) into the pre-drilled holes at 4 corners of the Back Corkboard (G). Tighten all Allen Bolts securely with the 4mm Alley Key (I) provided.

Fig. 3



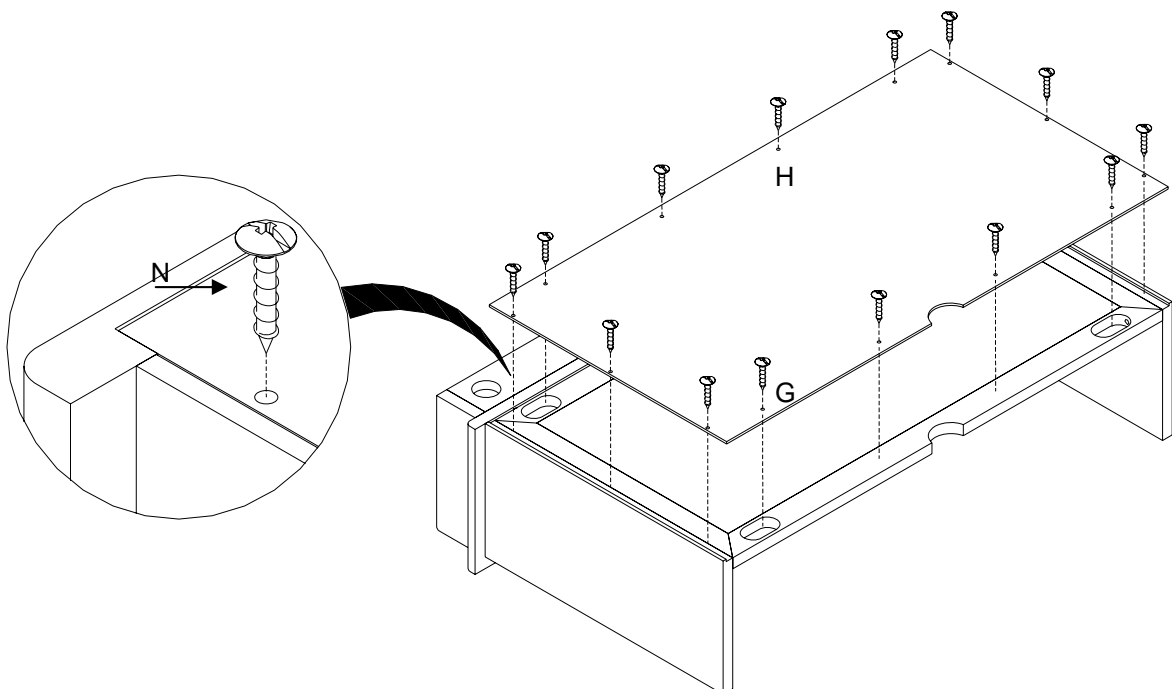
4. Position the Top Frame (assembled in step 2) onto the Bottom Frame (assembled in step 3) with the wooden dowels on the top of Bottom Frame fully inserted into the pre-drilled holes on the Top Panel (D). Align the pre-drilled holes on the wood cleat of the (1) Left Side Board (E) and the (1) Right Side Board (F) to the pre-drilled holes on the Top Panel (D), insert (4) 1/4" x 1" Allen Bolt (J) through the pre-drilled holes on the wood cleat on the (1) Left Side Board (E) & Right Side Board (F) and tighten securely with 4mm Allen Key (I) provided. Position the assembled Hutch upright as shown in Figure 4. Insert the (2) 1/4"x1-3/8" Allen Bolt (K) through the hole of (2) Curve Washers (M) into the pre-drilled holes at center of Top Rail of the Back Corkboard (G). Tighten all Allen Bolts securely with the 4mm Allen Key (I) provided.

Fig. 4



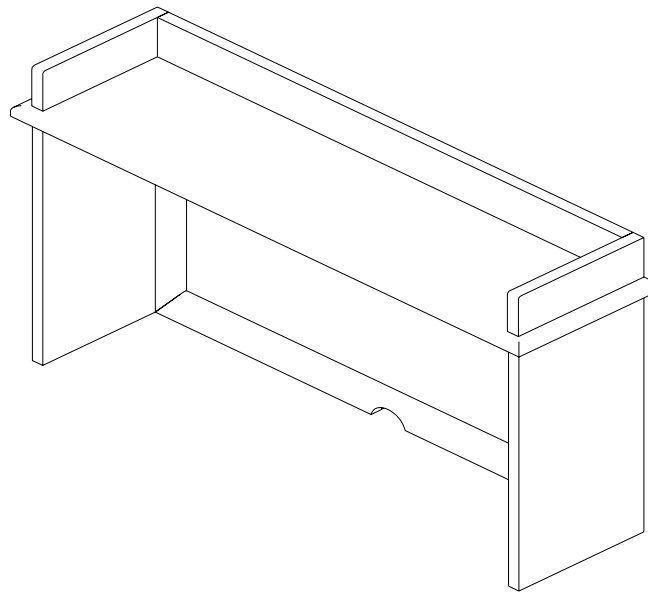
5. Lay the Hutch down with the back facing up. Position the (1) Back Panel (H) onto the frame of the (1) Back Corkboard (G) exactly as shown in Figure 5. Insert the (14) #3.5x15 mm Pan Head Screw (N) through the pre-drilled holes on the Back Panel (H) and tighten securely with Phillips Head Screwdriver (not included).

Fig.5



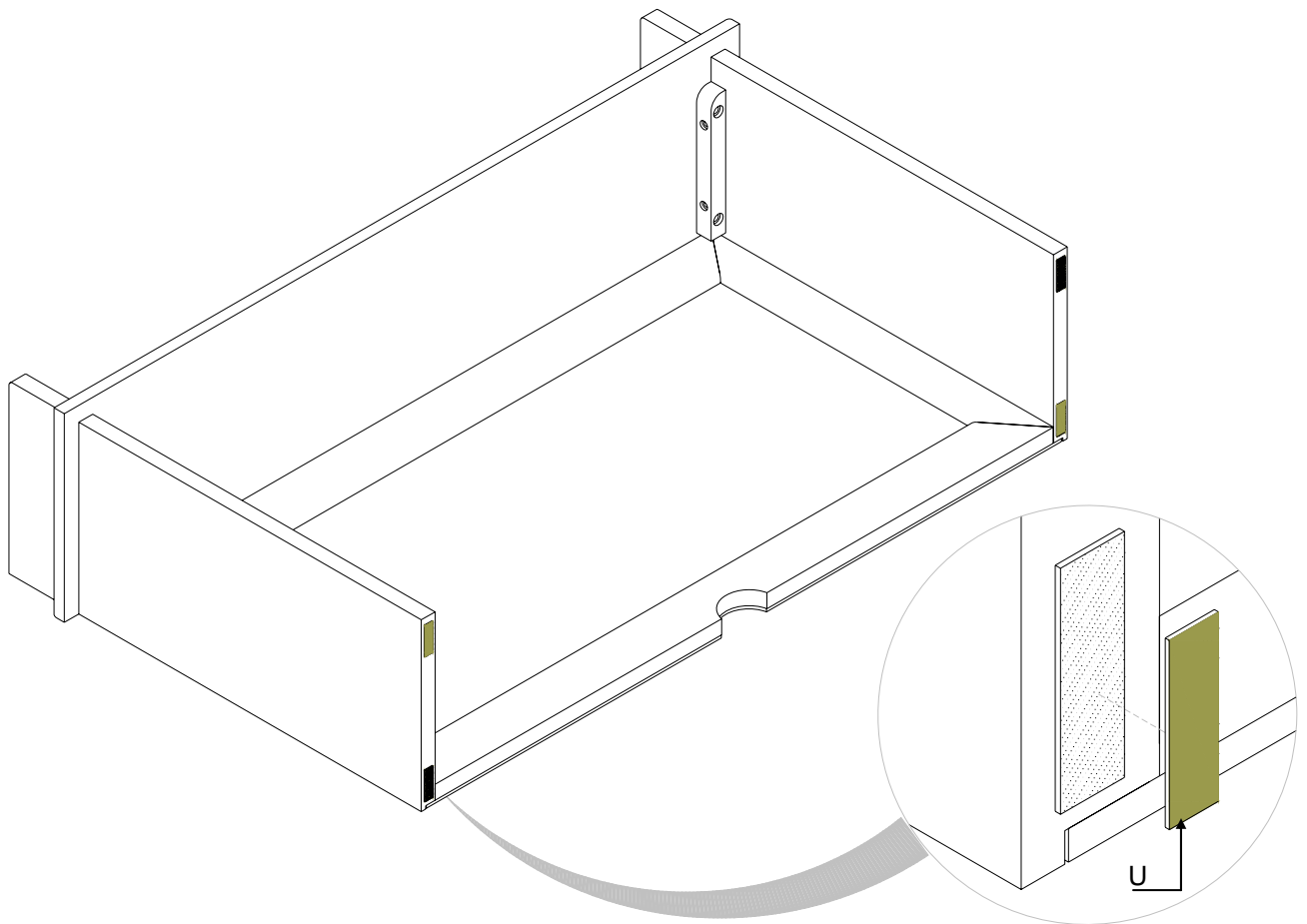
6. The complete assembled Hutch as shown in Figure 6.

Fig. 6



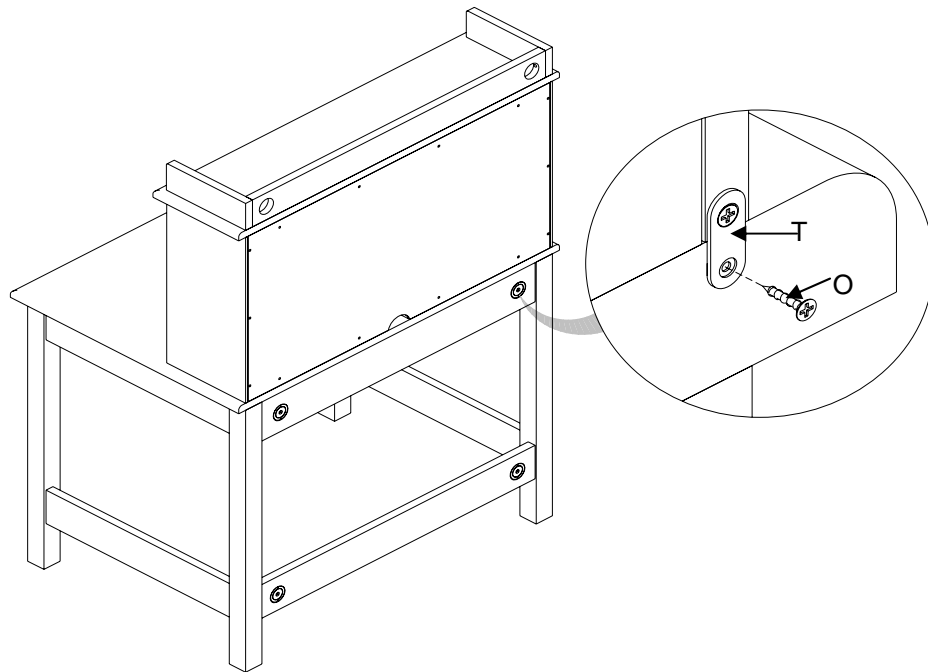
7. Place the (4) Felt Pad (U) on each of the corners of Hutch (assembled in step 6). This will prevent the Hutch from scratching the Kendall Small Desk as you complete assembly. See figure 7.

Fig 7



8. Connect the Hutch to the Kendall Small Desk by placing a Mending Plate (T) at the pre-drilled pilot holes located on the Hutch/Desk, inserting the #3.5x15mm Flat Head Screw (O), and fastening with a screwdriver (not included). Repeat this step for the other Mending Plate (T). See figure 8.

Fig 8

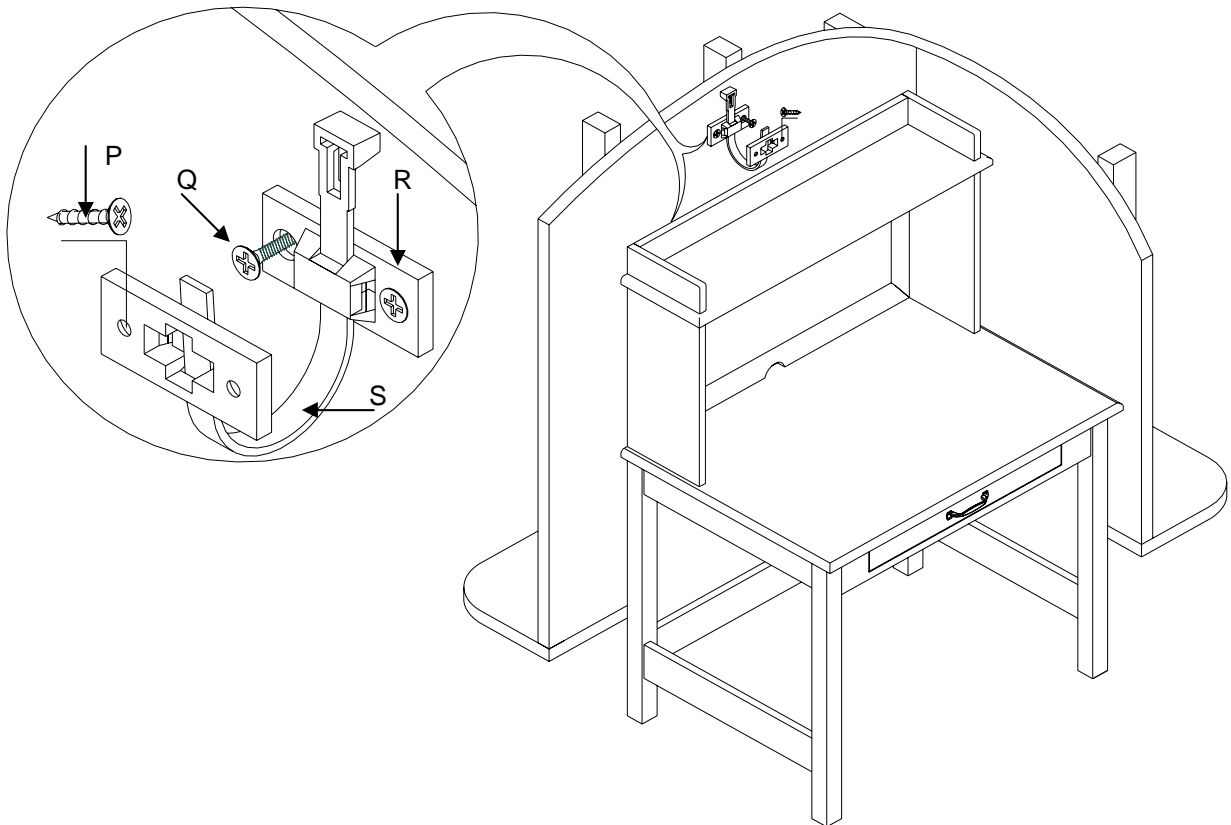


ANTI TIP KIT ASSEMBLY INSTRUCTIONS:

Note: For safe mounting it is essential to use the proper hardware for your wall type. The included hardware is for drywall or stud mounting only. For other wall types (ie: plaster, concrete, brick...) please consult your local hardware store.

1. Determine the final position of the furniture piece. Mark the location on the wall approximately 1-2" below the top of the back of the furniture. Mark and drill a pilot hole into the wall using a 3/32" drill bit. Attach the bracket (R) to the wall by inserting the #4x30mm Screw (Q) through the bracket and into the wall.
2. On the back of the furniture, a Bracket (R) will need to be attached to the furniture frame at the top. To do this, temporarily move the furniture into its final position and mark the location of the wall Bracket on the furniture frame.
3. Move the furniture away from the wall and place a Bracket on the mark. Mark and drill holes for #4x20mm Screws (Q) with a 3/32" drill bit. Attach the Bracket to the furniture. Place the furniture so the Bracket on the back edge is in line with the Bracket on the wall.
4. Lace one end of the Nylon Restraint Strap (S) down through each Bracket. Bring both ends together and slide the raised end until it snaps into the keyhole slot. To double-lock, return the raised end and back through the keyholes as shown. Ensure the strap is securely locked and locked into the brackets. (Fig. 9)
5. Check to be sure the wall Bracket is firmly screwed into wall and the furniture Bracket is firmly attached to the frame, and that the Nylon Strap is secure. Move the piece of furniture into its final position so that the wall Bracket and furniture Bracket are in alignment.

Fig. 9



CARE INSTRUCTIONS:

- Dust often using a clean, soft, dry lint-free cloth.
- Blot spills immediately, and wipe with a clean, damp, cloth.
- We do not recommend the use of chemical cleansers, abrasives, or furniture polish on our lacquered finish.

Thank you for your purchase.
stores | catalog | www.potterybarnkids.com
USA 1.800.290.8181