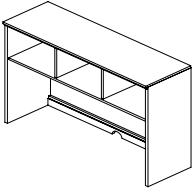


# pottery barn kids

## CAMERON SMALL DESK HUTCH

### IMPORTANT SAFETY INSTRUCTIONS:

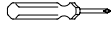
Please read all instructions carefully before assembling.  
For your safety, assembly by two people is recommended.







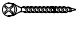
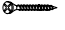


### PART LIST

- (A) Top Panel – 1pc
- (B) Shelf – 1pc
- (C) Left Side Panel – 1pc
- (D) Right Side Panel – 1pc
- (E) Divider – 2pcs
- (F) Rear Top Panel – 1pc
- (G) Lower Stretcher – 1pc

### TOOLS REQUIRED:

Phillips Screwdriver   
(Not included)

### HARDWARE LIST

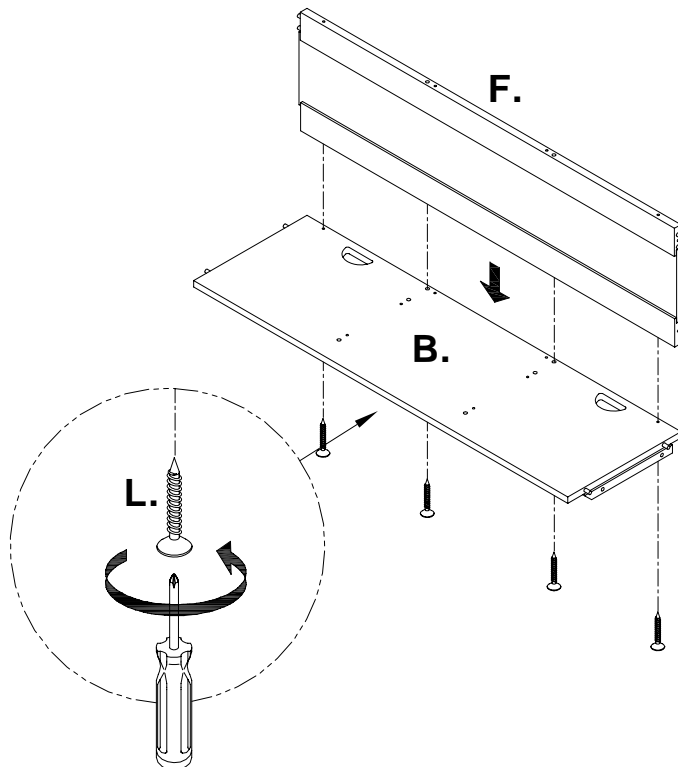
- (H) Allen Key  - 1pc
- (I) Bolt 1/4" x 25mm  - 8pcs
- (J) Spring Washer 1/4"  - 8pcs
- (K) Flat Washer 1/4"  - 8pcs
- (L) Long Wood Screw 4x25mm  - 18pcs
- (M) Short Wood Screw 3x12mm  - 12pcs
- (N) Square Bracket  - 1pc
- (O) Mending Plate  - 2pcs

### PRE-ASSEMBLY:

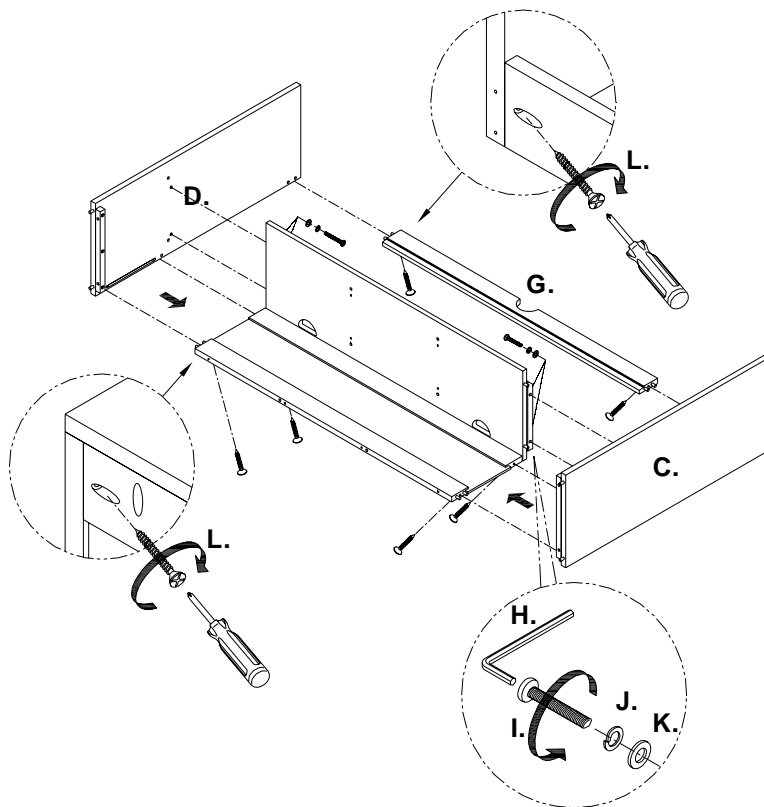
- Remove all parts and hardware from the box and lay out on a clean, carpeted, or scratch-free work surface, as this will avoid damaging any parts during assembly. The shipping box provides an ideal work surface. Do not dispose of any contents until assembly is completed to avoid accidentally discarding small parts or hardware.
- Use the parts and hardware lists above to identify and separate each of the pieces included.
- The illustrations provided allow for easier assembly when used in conjunction with the assembly instructions.
- Note: Do not fully tighten all bolts until all parts are in place. Failure to follow these instructions may cause the bolts to misalign during assembly.
- If using power tools to aid in assembly please use caution. Power tools can damage hardware or split wood.

### ASSEMBLY INSTRUCTIONS:

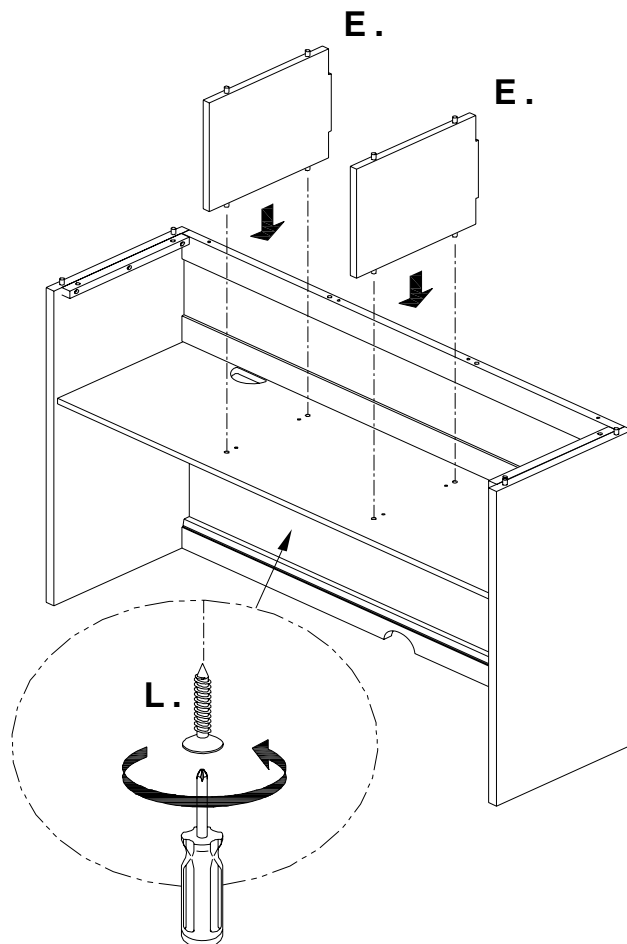
1. Secure the Shelf (B) to the Rear Top Panel (F) using (4) Large Wood Screw (L). Make sure cleats on the Shelf piece facing outwards and dowels on the Rear Top panel are on the far side.



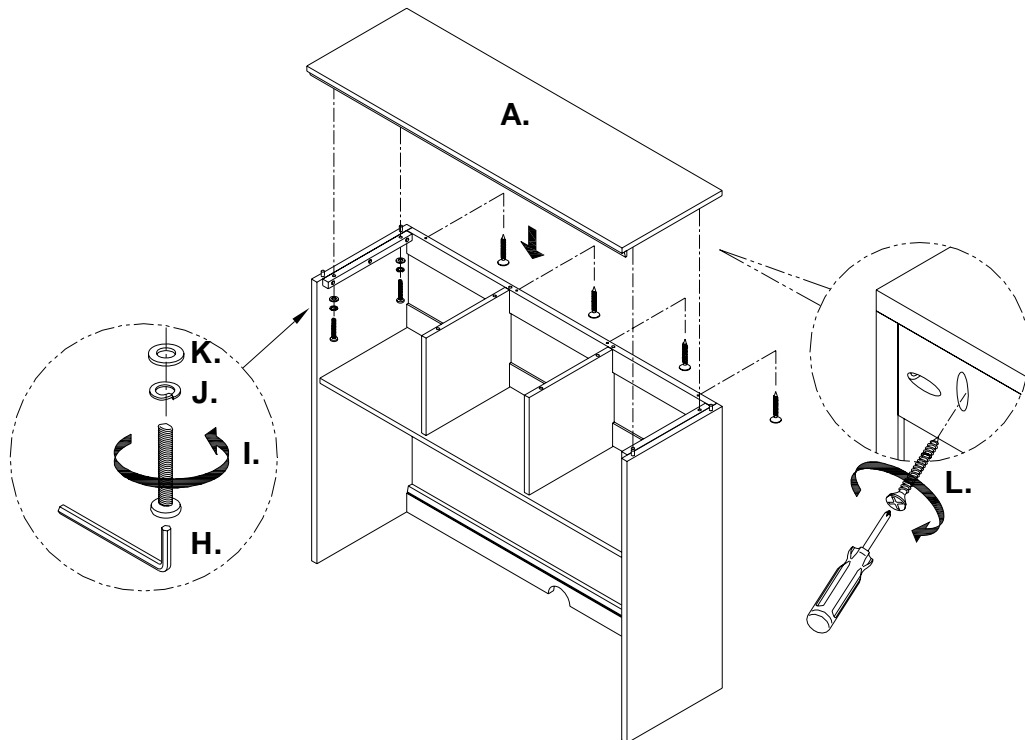
2. Align and connect the Right Side Panel (D) to the assembled piece using (2) Long Wood Screw (L) and (2) Bolt (I), Spring Washer (J) and Flat Washer (K). Connect dowels on the Lower Stretcher (G) to the pre-drilled holes on the Right Side Panel (D) securing with (1) Long Wood Screw (L). Repeat with the Left Side Panel (C) to connect to the assembled piece.



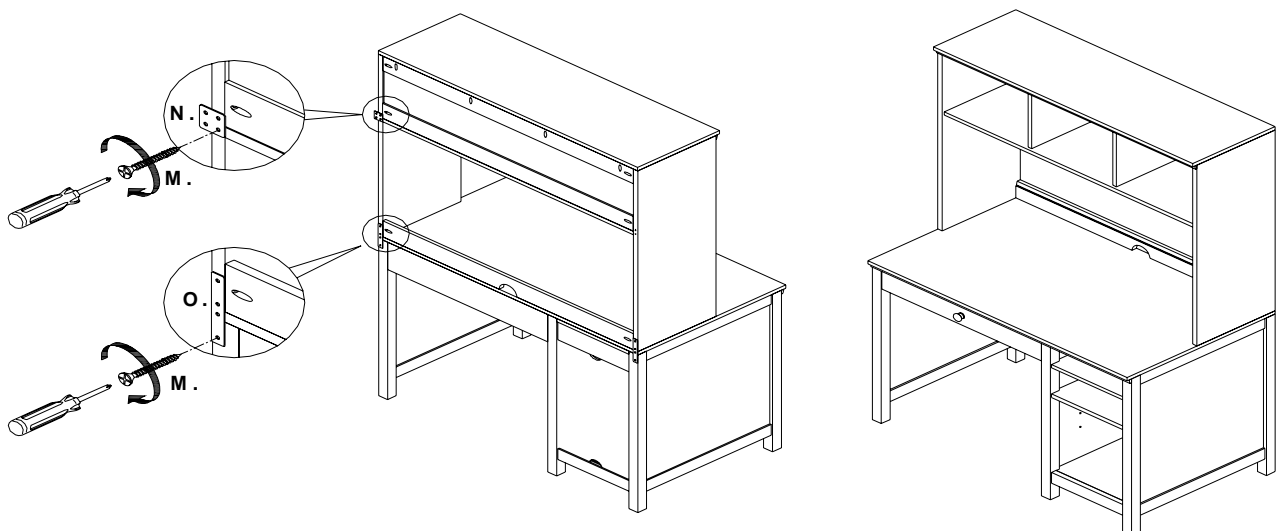
3. Upright the assembled piece. Align and connect dowels on the (2) Divider (E) to the pre-drilled holes on the Shelf securing with (4) Long Wood Screw (L).



- Place the Top Panel (A) on the assembled piece. Insert (4) Bolt (I), Spring Washer (J) and Flat Washer (K) from pre-drilled holes on the cleats on the side panels to the pre-drilled holes on the Top Panel (A) securing with an Allen Key (H). Insert (4) Long Wood Screw (L) from back of the Rear Top Panel to the Top Panel (A) to secure the Top Panel. Check alignment and tighten all bolts and screws.



- When connecting the Hutch to Cameron Small Desk (sold separately), place the assembled Hutch on the Desk. Place a Mending Plate (O) over the pre-drilled holes on the Hutch and Desk securing with (4) Short Wood Screws (M). Repeat with the other Mending Plate (O).
- When connecting the Hutch to Cameron cubby piece (sold separately), place the Square Bracket (N) over the pre-drilled holes on the Hutch and Cubby piece securing with (4) Short Wood Screws (M).



#### CARE INSTRUCTIONS:

- Dust with a clean, soft cloth.
- Bolt spills immediately, and wipe with a clean, damp, cloth.
- We do not recommend the use of chemical cleansers, abrasives, or furniture polish on our lacquered finish.

Thank you for your purchase  
 stores | catalog | [www.potterybarnkids.com](http://www.potterybarnkids.com)  
 USA 1.800.290.8181

# pottery barn kids


## TIP RESTRAINT KIT


**WARNING:** This product is only a deterrent. It is not a substitute for proper adult supervision.

Young children may be injured by tipping furniture and the use of a tipping restraint is highly recommended. When properly installed, this restraint could provide protection against the unexpected tipping of furniture. We recommend mounting this restraint to a wall stud.

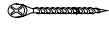
All Parts and Hardware are included with the Cameron Wall Cubby.

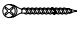
### PARTS INCLUDED

(P) Plastic Restraint  - 1pc

(Q) Plastic Wall Brackets  - 2pcs

### HARDWARE NEEDED

(R) Long Screws 3x32mm  - 2pcs

(S) Short Screws 3x19mm  - 2pcs

Note: For safe mounting it is essential to use the proper hardware for your wall type. The included hardware is for drywall or stud mounting only. For other wall types (ie: plaster, concrete, brick...) please consult your local hardware store.

1. Locate a wall stud behind your furniture. Position a bracket on the stud approximately 1" below the top of the furniture. Mark and drill pilot hole into the center of the stud with a 3/32" drill bit. Attach a bracket to the stud with the long screws provided.
2. On the back of the furniture, a bracket will need to be attached to the furniture frame at the top. To do this, temporarily move the furniture into its final position and mark the location of the wall bracket on the furniture frame. Move the furniture away from the wall and place a bracket on the mark. Mark and drill holes for screws with 3/32" drill bit. Attach the bracket to the furniture with the short screws provided.
3. Move the furniture into this final position, taking care to line up the wall bracket with the furniture bracket. Thread a strap through the bracket as shown in the illustration. Tighten strap until snug. Do not over tighten.

