

pottery barn kids

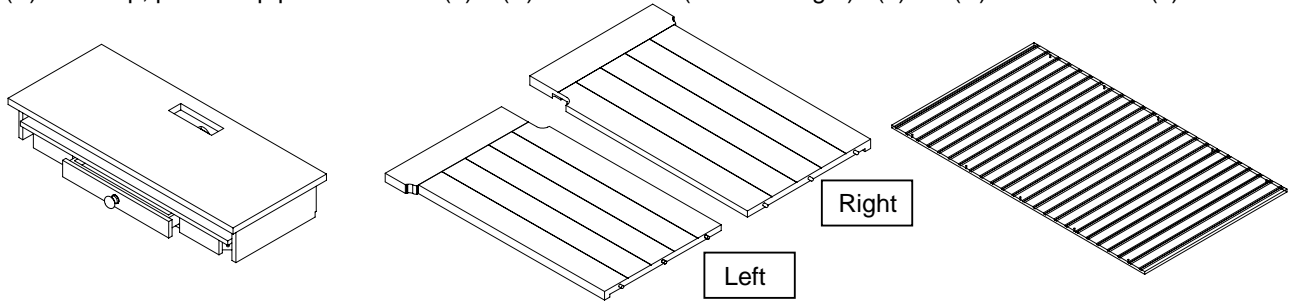
THOMAS PULL OUT DESK

PRE-ASSEMBLY:

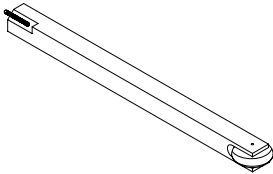
- Read all instructions before beginning assembly. The illustrations provided allow for easier assembly when used in conjunction with the assembly instructions.
- For your safety and ease, assembly by two adults is recommended.
- Remove all parts and hardware from the box and lay out on a clean, carpeted, or scratch-free work surface. Use care as some parts or hardware may have sharp points or edges.
- Do not dispose of any contents until assembly is completed to avoid accidentally discarding small parts or hardware.
- Use the parts and hardware lists to identify and separate each of the pieces included.
- Note: Do not fully tighten all bolts until all parts are in place. Failure to follow these instructions may cause the bolts to misalign during assembly.
- The use of power tools for assembly is not recommended. Power tools can damage hardware or split wood.

PARTS INCLUDED:

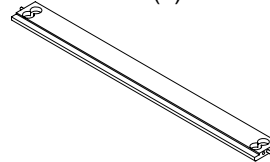
(A) Desktop, pullout top pre-installed – (1) (B) Side Panels (Left and Right)– (2) (C) Back Panel – (1)



(D) Leg – (2)

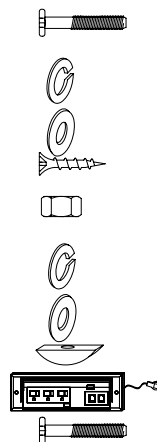


(E) Bottom Rail – (1)



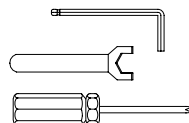
HARDWARE ENCLOSED:

- (F) Short Bolt M6 x 30 MM – (6)
 (G) Spring Washer M6 – (6)
 (H) Flat Washer M6 – (6)
 (I) CBS Screw 3.5 x 20 mm – (12)
 (J) Hexagon Nut 5/16 – (4)
 (K) Spring Washer 5/16 – (4)
 (L) Flat Washer 5/16 – (4)
 (M) Plastic Washer – (4)
 (N) Cordset – (1)
 (O) Long Bolt M6 x 45 MM – (4)



TOOLS REQUIRED:

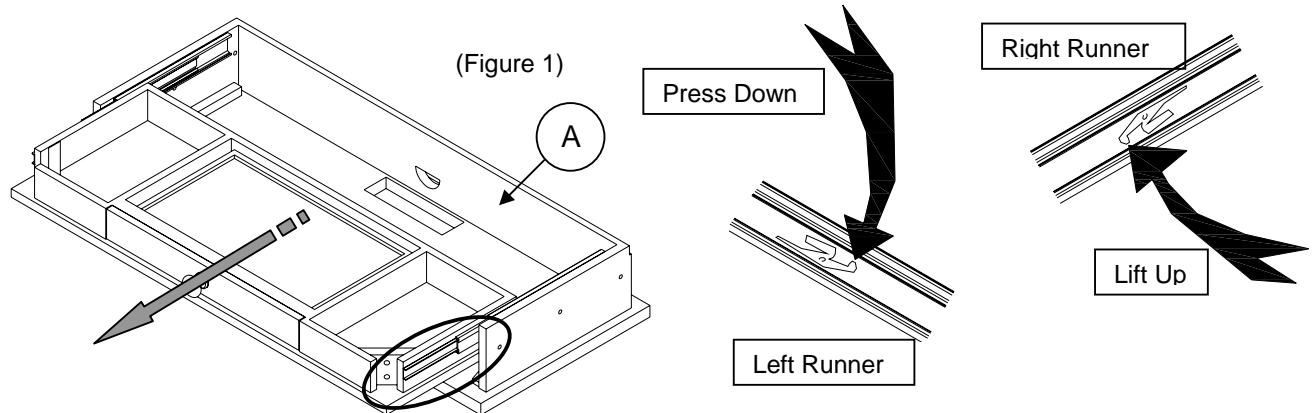
- (P) Ball Tip Allen Key (included) – (1)
 (Q) Wrench (included) – (1)
 (R) Phillips Head Screwdriver (not included)



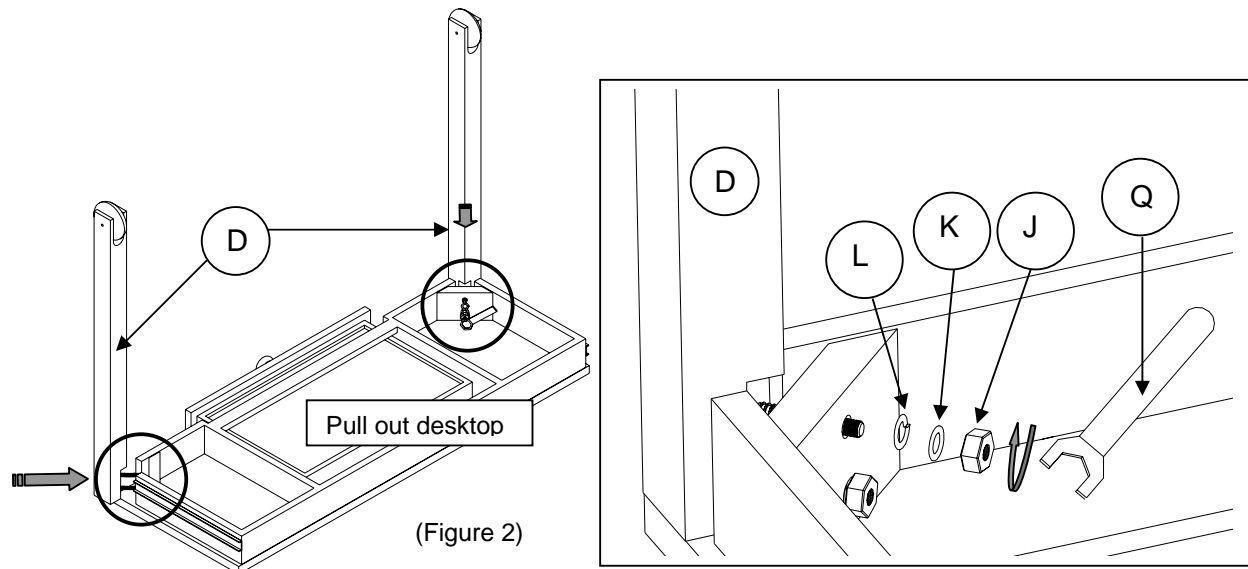
ASSEMBLY INSTRUCTIONS:

Assembly of pull out desktop:

1. Carefully lay the Desktop (A) face down on a clean work surface. Pull out and remove the Pull out Desktop, by pressing down the lever on left runner while lifting up the lever on the right runner. (Fig.1).

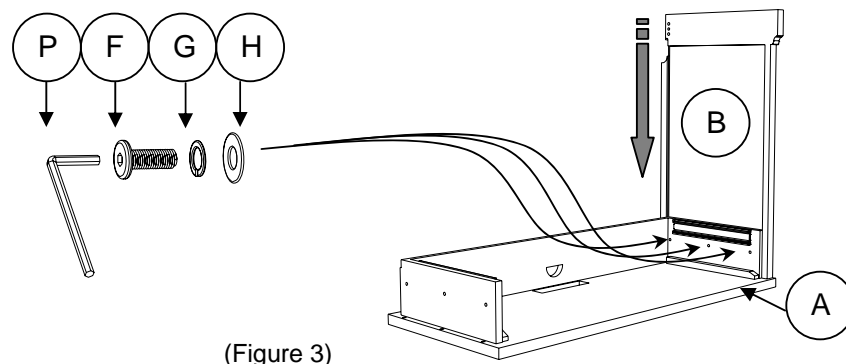


2. Attach Legs (D) to the pull-out tabletop using Flat Washers (L), Spring Washers (K) and Hexagon nuts (J) tighten with Wrench (Q). Set the pull out desktop component aside. (Fig 2)

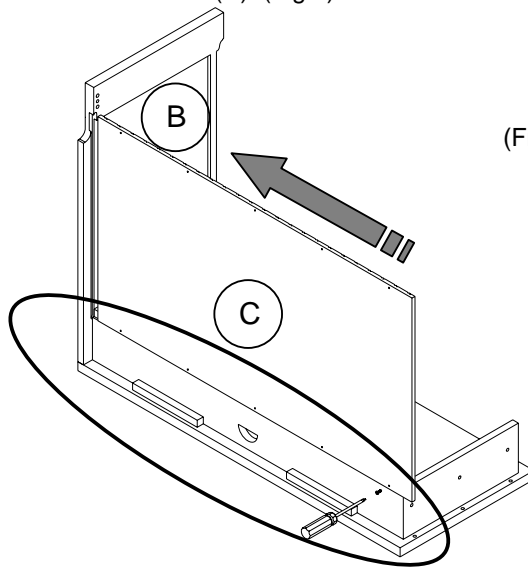


Assembly of outer desk component:

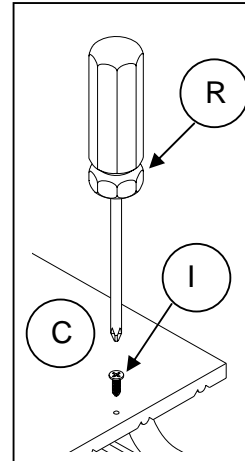
3. Attach the Left Side Panel (B) to the Desktop (A), with Short Bolts (F), Spring Washers (G) and Flat Washers (H) using Ball Tip Allen Key (P) (as shown in Fig 3).



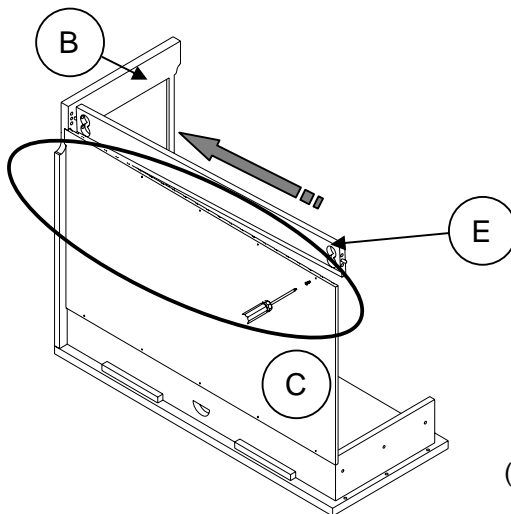
- Carefully slot in the back panel (C), as shown. Fasten the Screws (I) along the lower pre-drilled holes using Phillips Head Screwdriver (R). (Fig 4)



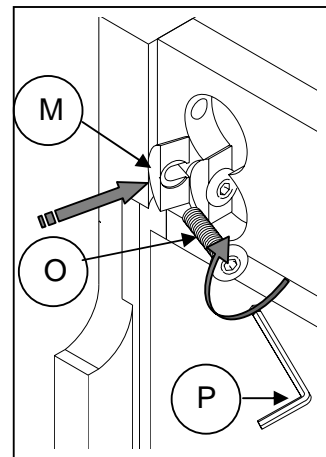
(Figure 4)



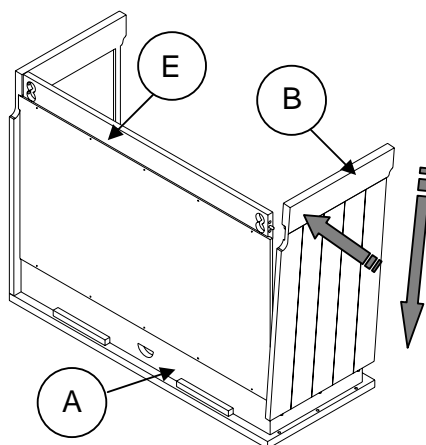
- Attach the Bottom Rail (E). Insert a Plastic Washer (M) into the opening and fasten with Long Bolt (O), using the Ball Tip Allen Key (P). Then, fasten Screws (I) along the pre-drilled holes using Phillips Head Screwdriver (R). (Fig 5)



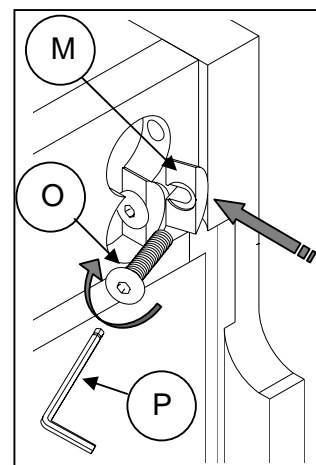
(Figure 5)



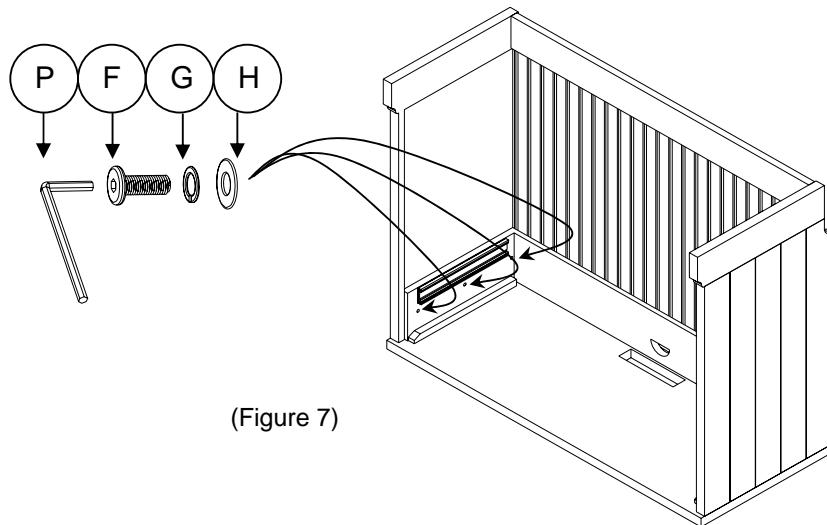
- Attach the Right Side Panel (B) to the Desktop (A). Insert a Plastic Washer (M) into the opening of the Bottom Rail (E). Fasten with Long Bolt (O), using the Ball Tip Allen Key (P). (Fig 6)



(Figure 6)

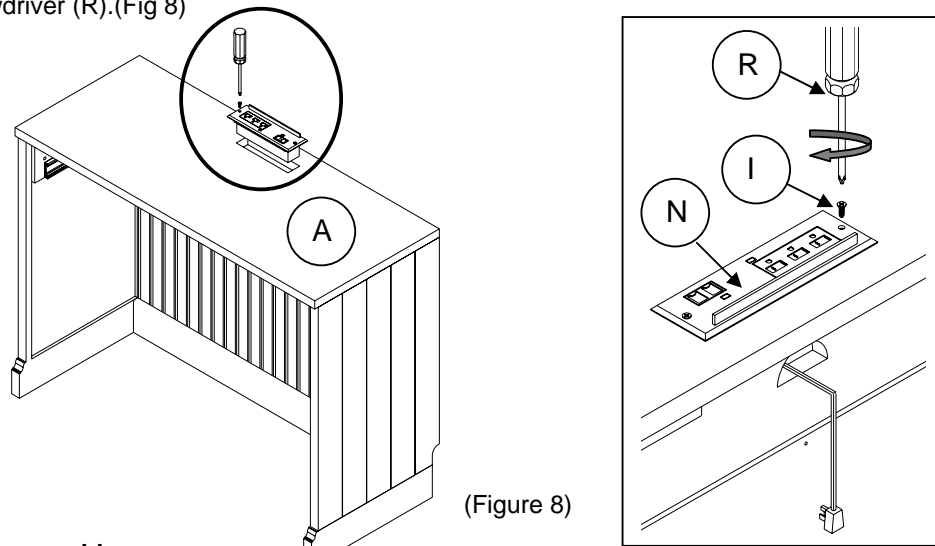


- Use Short Bolt (F), Spring Washer M6 (G) and Flat Washer (H) to fasten the connection with Ball Tip Allen Key (P) (Fig 7)



(Figure 7)

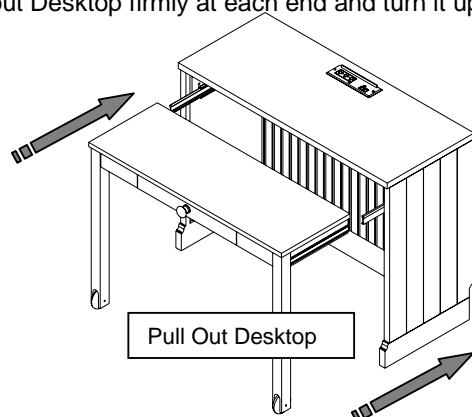
- Turn the assembled Desktop right-side up, and attach the Cordset (N). Secure with Screws (I) Using Phillips Head Screwdriver (R). (Fig 8)



(Figure 8)

Completing the assembly:

- Carefully grip the Pull out Desktop firmly at each end and turn it upright. Insert the Pull out Desktop until it locks into place. (Fig 9)



(Figure 9)

CARE INSTRUCTIONS:

- Dust often using a clean, soft, dry lint-free cloth.
- Blot spills immediately, and wipe with clean, damp, cloth
- We do not recommend the use of chemical cleansers, abrasives, or furniture polish.

Thank you for your purchase
 Stores | catalog | www.potterybarnkids.com
 USA 1.800.290.8181

pottery barn kids

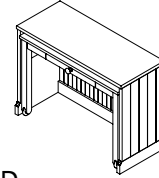
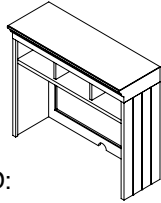
THOMAS WALL PULL OUT DESK HUTCH

PRE-ASSEMBLY:

- Read all instructions before beginning assembly. The illustrations provided allow for easier assembly when used in conjunction with the assembly instructions.
- For your safety and ease, assembly by two adults is recommended.
- Remove all parts and hardware from the box and lay out on a clean, carpeted, or scratch-free work surface. Use care as some parts or hardware may have sharp points or edges.
- Do not dispose of any contents until assembly is completed to avoid discarding small parts or hardware.
- Use the parts and hardware lists to identify and separate each of the pieces included.
- Note: Do not fully tighten all bolts until all parts are in place. Failure to follow these instructions may cause the bolts to misalign during assembly.
- The use of power tools for assembly is not recommended. Power tools can damage hardware or split wood.

PARTS INCLUDED: (A) Desk Hutch – (1)

(B) Desk – (1) (packaged separately)

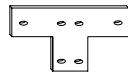


HARDWARE ENCLOSED:

(C) PHS M4 x 16 mm – (12)

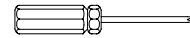


(D) Mending plate – (2)



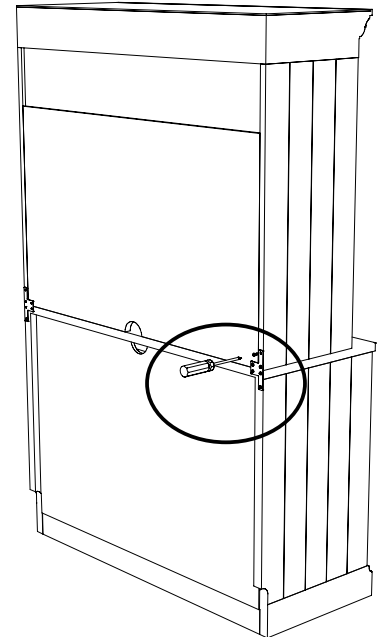
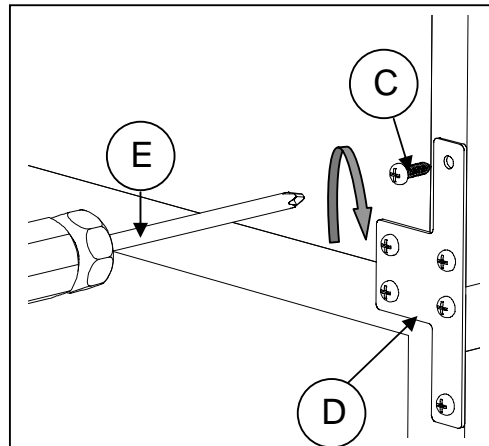
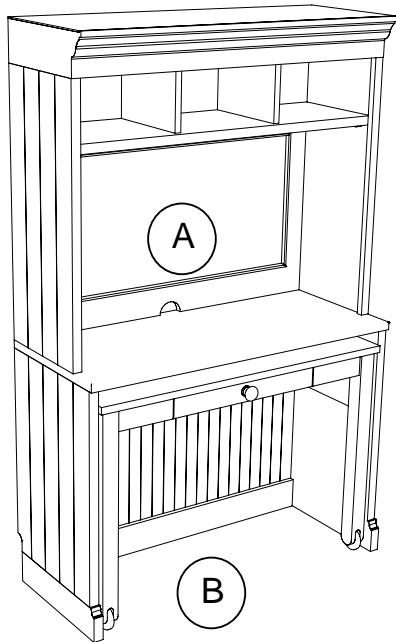
TOOLS REQUIRED

(E) Phillips Head Screwdriver (not included)



ASSEMBLY INSTRUCTIONS:

1. With the assistance of a second adult, carefully lift the Desk Hutch (A) and set it onto the Desk (B) as shown. Align the Mending plate (D) with the pre-drilled pilot holes and secure using the PHS screws (C).



CARE INSTRUCTIONS:

- Dust often using a clean, soft, dry lint-free cloth.
- Blot spills immediately, and wipe with a clean, damp, cloth
- We do not recommend the use of chemical, cleansers, abrasives, or furniture polish on our lacquered finish.

Thank you for your purchase
Stores | catalog | www.potterybarnkids.com
USA 1.800.290.8181