

# pottery barn kids

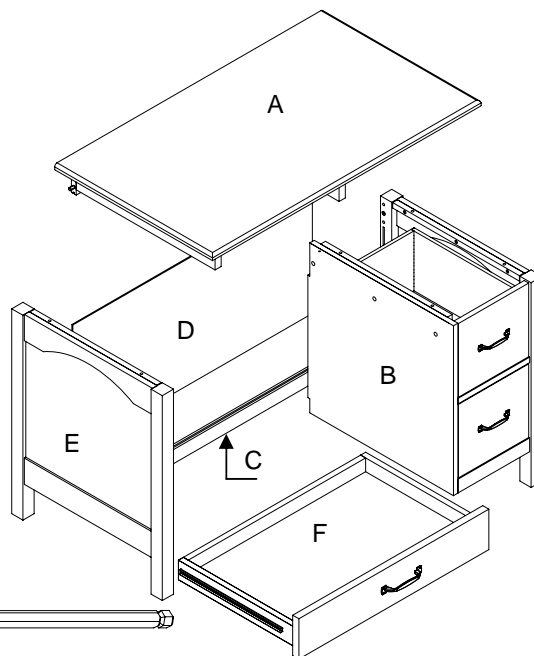
## KENDALL LARGE DESK

### PRE-ASSEMBLY:

- Please read all instruction before beginning assembly. The illustrations provided allow for easier assembly when used in conjunction with the assembly instructions.
- Remove all parts and hardware from box and lay out on a carpeted or scratch-free work surface, as this will avoid damaging any parts during assembly. The shipping box provides and ideal work surface. Do not dispose of any contents until assembly is completed to avoid accidentally discarding small parts or hardware.
- For your safety and ease, adult assembly by two people is recommended.
- Save all packing materials until assembly is complete to avoid accidentally discarding smaller parts or hardware.
- Use the parts and hardware lists to identify and separate each of the pieces included prior to starting assembly.
- Note: Do not fully tighten all bolts until all parts are in place. Failure to follow these instructions may cause the bolts to misalign during assembly.
- If using power tools to aid in assembly please use caution. Power tools can damage hardware or split wood.

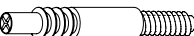
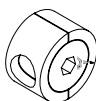
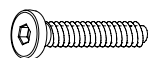
### PARTS INCLUDED:

- (A) Table top - 1pc
- (B) Drawer Base with Right Side Board -1pc
- (C) Back Rail – 1pc
- (D) Back Panel – 1pc
- (E) Left Side Board – 1pc
- (F) Drawer – 1pc



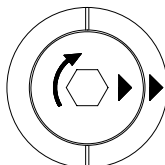
### HARDWARE ENCLOSED:

- (G) 4mm Allen Key - 1pc
- (H) 6mm Allen Key - 1pc
- (I) 1/4"x1" Allen Bolt - 10pcs
- (J) Cam - 4pcs
- (K) Cam Screw - 4pcs



### ASSEMBLY INSTRUCTIONS:

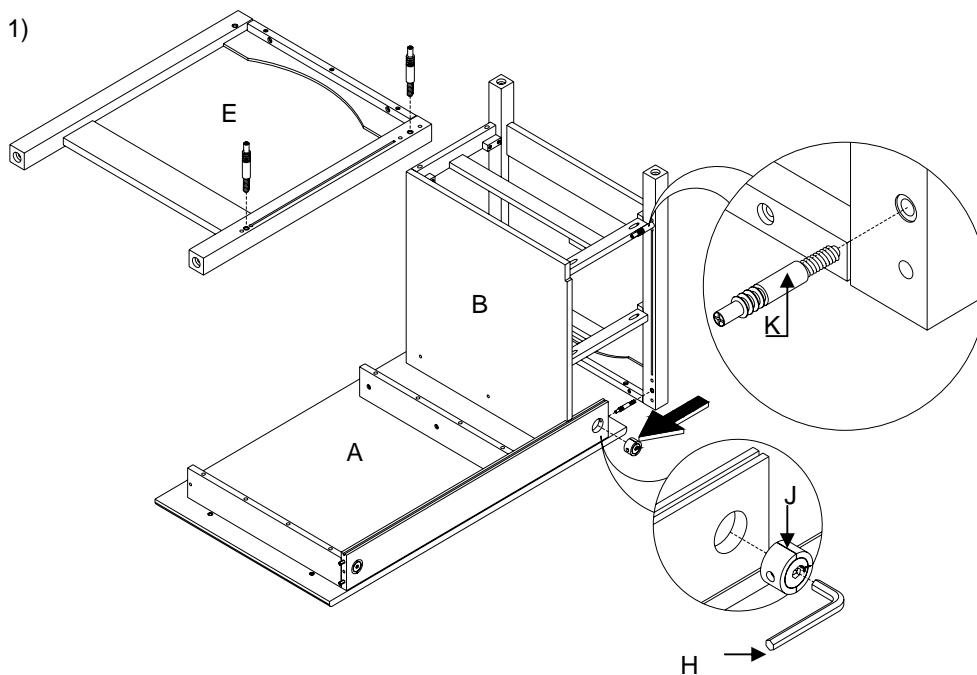
**Note:** align outer arrow on cam with inner arrow at center of cam prior to insertion into the countersunk.



1. Pull out the two small drawers from the Drawer Base with Right Side Board (B). Position the (1) Left Side Board (E), the (1) Table Top (A) and (1) Drawer Base with Right Side Board (B) exactly as shown in Figure 1. Screw the thread end of the (2) Cam Screw (K) into the insert nuts on the (1) Left Side Board (E) and (2) Cam Screw (K) into the insert nuts on the (1) Drawer Base with Right Side Board (B), then tighten securely. Insert the (1) Cam (J) into the pre-drilled holes on the back frame of the (1) Table Top (A). Align the arrow mark on the Cam (J) with the cross pre-drilled hole at the end of Back Rail of the Table Top (A) lead end of the (1)s on the (1)

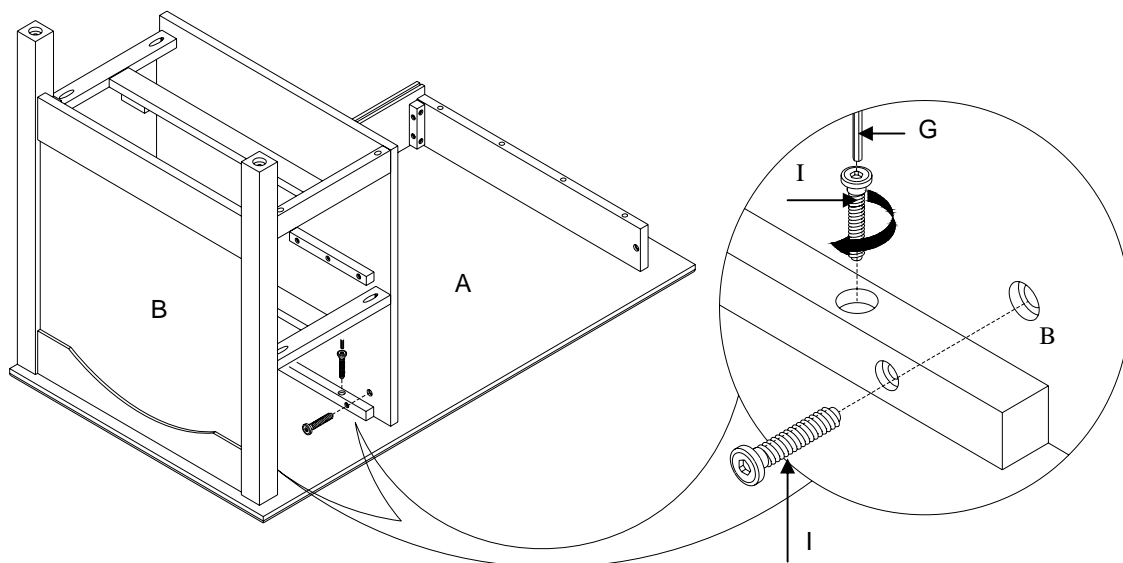
. Attach the drawer base with Right Side Board (B) to the Table Top (A) as shown in Figure 1. Tighten the Cam (J) securely with the 6mm Allen Key (H) provided.

(Fig. 1)



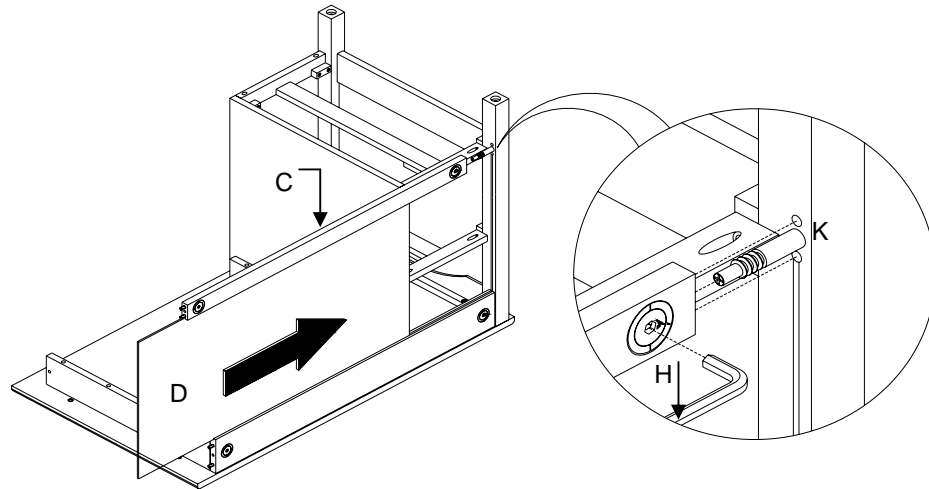
2. Insert (4) 1/4"x1" Allen Bolt (I) through the pre-drilled holes on the wood cleats of the (1) Drawer Base with Right Side Board (B). Tighten securely with 4mm Allen Key (G) provided. See figure 2.

(Fig. 2)



3. Insert the (1) Cam (J) into the pre-drilled holes at one end of the Back Rail (C). Align the arrow mark on the Cam (J) with the cross pre-drilled hole at the end of Back Rail (C). Position the (1) Back Rail (C) onto the frame assembled in step (2) exactly as shown in Figure 3. Insert the wooden dowels on the end of the (1) Back Rail (C) into the pre-drilled hole on (1) Drawer Base with Right Side Board (B). Insert the Cam screw (K) on the leg into the Cam (J). While one adult is holding the Back Rail (C), the other adult should carefully insert the Back Panel (D) into the grooves on the top edge of the Back Rail (C) and bottom edge of back frame of the (1) Table Top (A) as shown in Figure 3. Tighten the Cam (J) securely with 6mm Allen Key (H) provided.

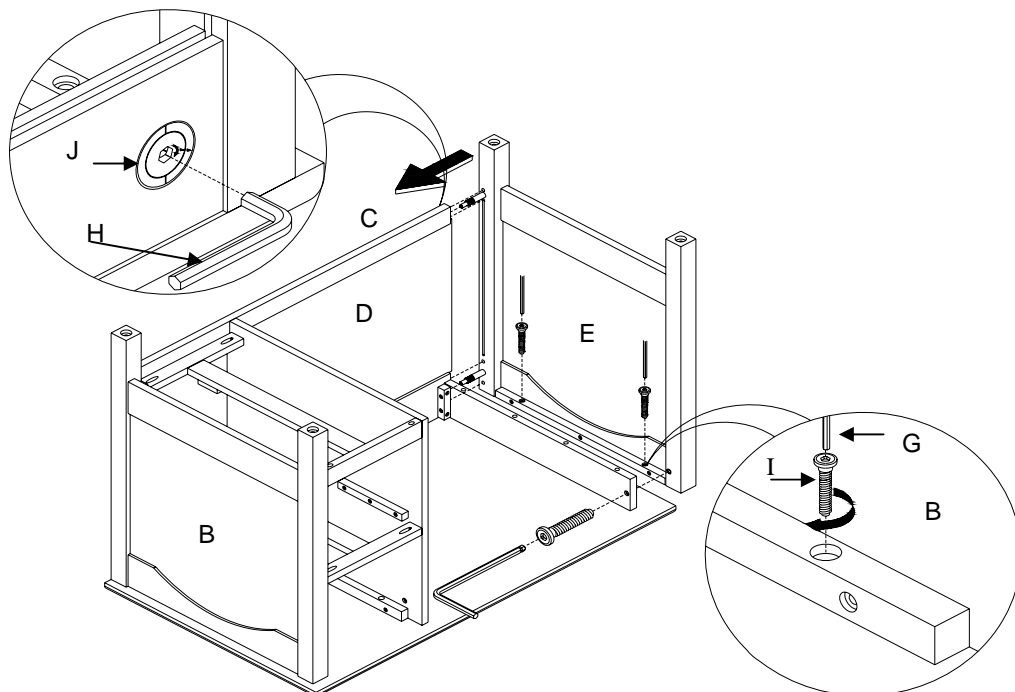
(Fig. 3)



4. Insert the (2) Cam (J) into the pre-drilled holes at the another end of the Back Rrail (C) and another end of the back frame of the (1) Table Top (A). Align the arrow mark on the Cam (J) with the cross pre-drilled hole at the end of back rail (C). Position the (1) Left Side Board (E) onto the frame (assembled in step 3) exactly as shown in Figure 4. Insert the wooden dowels on the end of Back Rail (C) and the end of back frame of Table Top (A) into the pre-drilled holes on the (1) Left Side Board (E) and the (2) Cam Screw (K) on the Left Side Board (E) are fully inserted into the Cam (J). Tighten all Cam (J) securely with the 6mm Allen Key (H) provided.

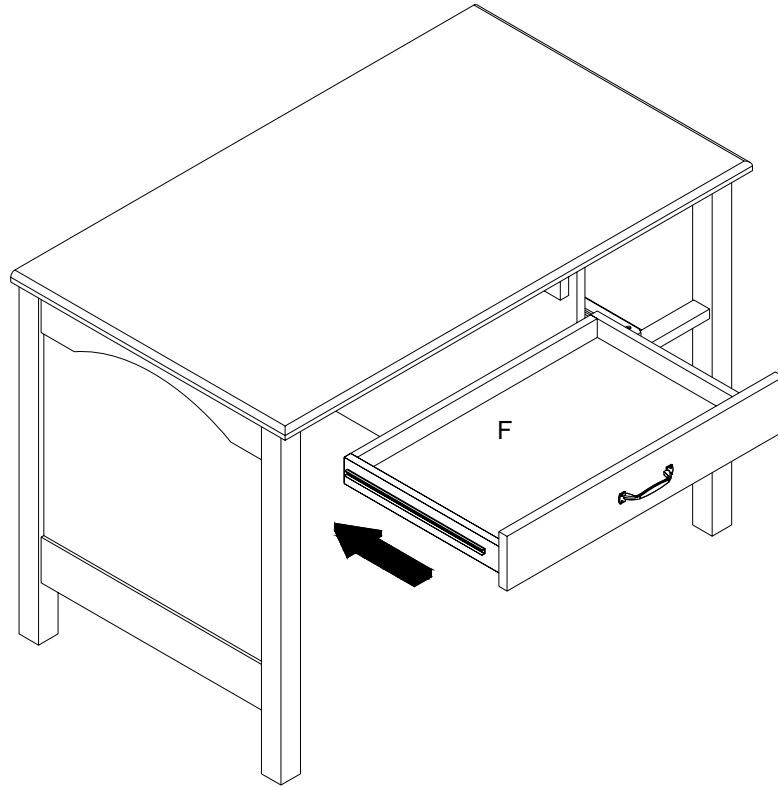
5. Align the holes on the (1) Left Side Board (E) to the pre-drilled holes on the (1) Table Top (A), insert (3) 1/4" x 1" Allen Bolt (I) through the pre-drilled holes on the wood cleat of the (1) Left Side Board (E) and into the pre-drilled holes on the cleat of (1) Table Top (A). Tighten securely with 4mm Allen Key (G) provided. See Figure 4.

(Fig. 4)



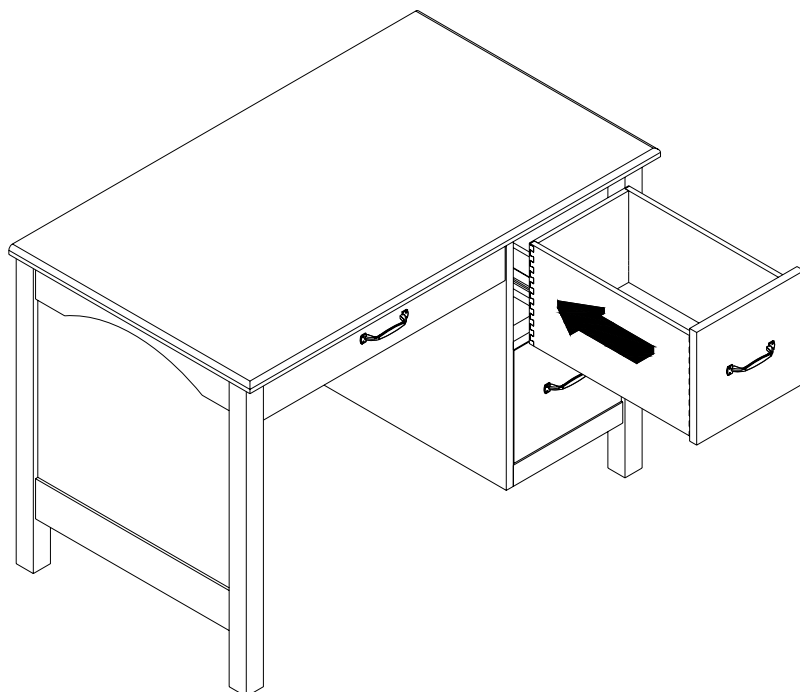
6. Turn the desk upright exactly as shown in Figure 5. Insert the Drawer (F) into the Desk Top (A) by inserting the pre-mounted Drawer's glides, on both sides of the Drawer (F), into the runners, which are pre-assembled on the Desk Top. Push the Drawer in completely. See figure 5.

(Fig. 5)



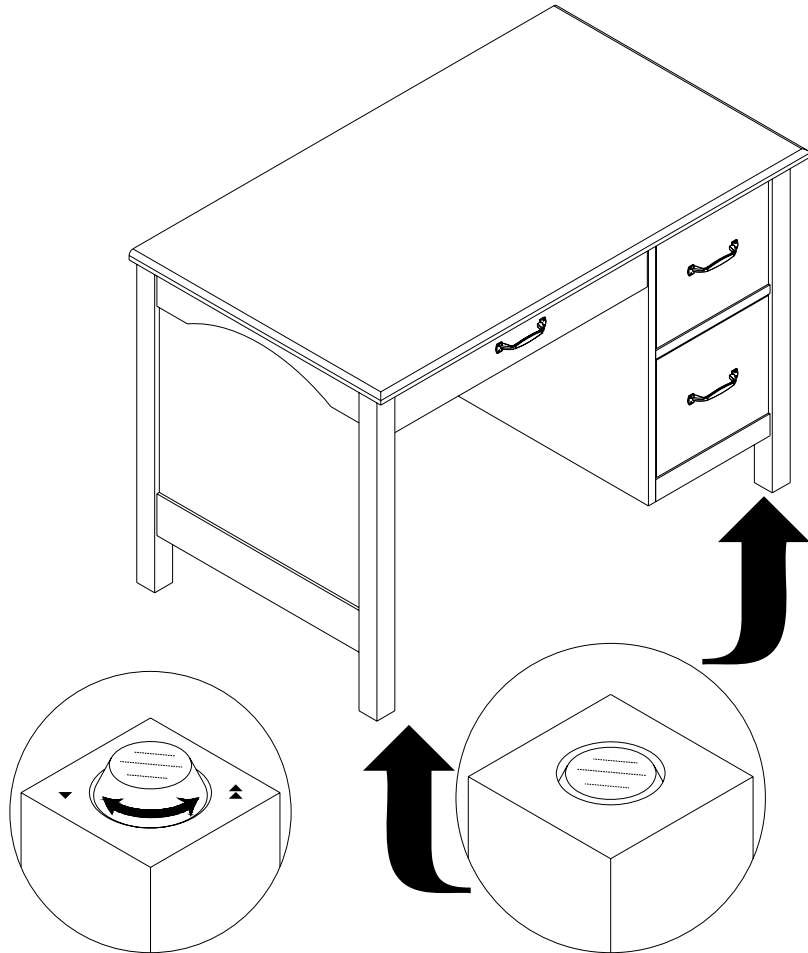
7. Carefully attach two small drawers into the drawer base with right side board (B) in the direction as shown in Figure 6. Assembly is completed.

(Fig. 6)



8. If necessary, the levelers on the underside of the legs can be adjusted.

(Fig. 7)



**CARE INSTRUCTIONS:**

- Dust often using a clean, soft, dry lint-free cloth.
- Blot spills immediately, and wipe with a clean, damp, cloth.
- We do not recommend the use of chemical cleansers, abrasives, or furniture polish on our lacquered finish.