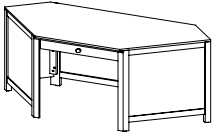


pottery barn kids

CAMERON CORNER DESK

IMPORTANT SAFETY INSTRUCTIONS:





Please read all instructions carefully before assembling.
For your safety, assembly by two people is recommended.



PART LIST

- (A) Desk Top – 1pc
- (B) Front Left Side Panel – 1pc
- (C) Front Right Side Panel – 1pc
- (D) Rear Left Side Panel – 1pc
- (E) Rear Right Side Panel – 1pc
- (F) Back Panel – 1pc
- (G) Keyboard Tray – 1pc

HARDWARE LIST

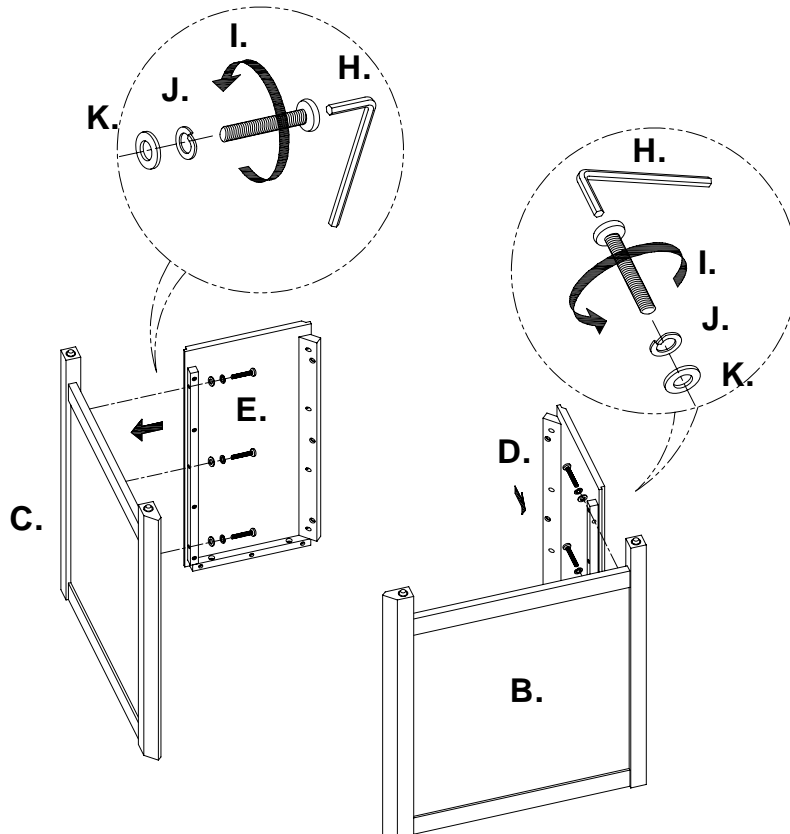
- (H) Allen Key  - 1pc
- (I) Bolt 1/4" x 25mm  - 22pcs
- (J) Spring Washer 1/4"  - 22pcs
- (K) Flat Washer 1/4"  - 22pcs

PRE-ASSEMBLY:

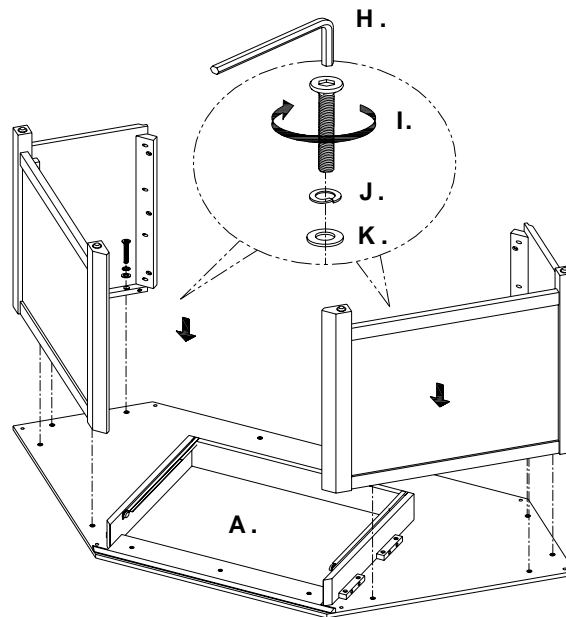
- Remove all parts and hardware from the box and lay out on a clean, carpeted, or scratch-free work surface, as this will avoid damaging any parts during assembly. The shipping box provides an ideal work surface. Do not dispose of any contents until assembly is completed to avoid accidentally discarding small parts or hardware.
- Use the parts and hardware lists above to identify and separate each of the pieces included.
- The illustrations provided allow for easier assembly when used in conjunction with the assembly instructions.
- Note: Do not fully tighten all bolts until all parts are in place. Failure to follow these instructions may cause the bolts to misalign during assembly.
- If using power tools to aid in assembly please use caution. Power tools can damage hardware or split wood.

ASSEMBLY INSTRUCTIONS:

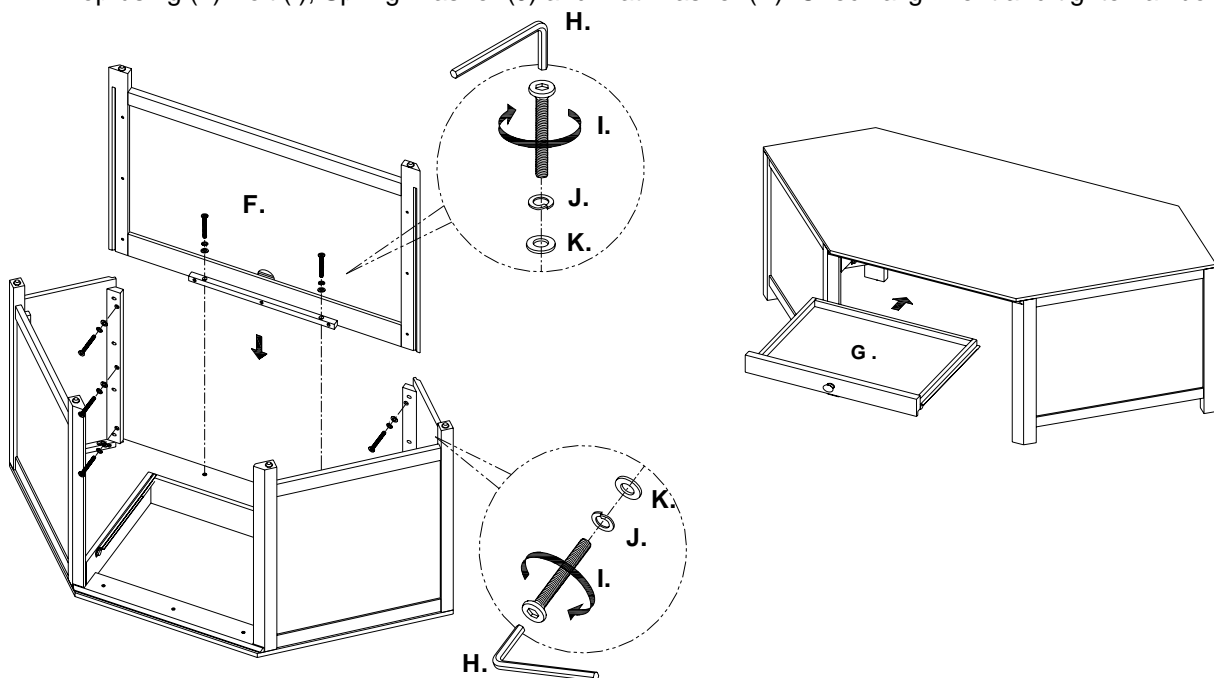
1. Attach and secure the Front Right Side Panel (C) to the Rear Right Side Panel (E). Insert (3) Bolt (I), Spring Washer (J) and Flat Washer (K) from the pre-drilled holes on the Rear Right Side Panel (E) to the pre-drilled holes on the Front Right Side Panel (C). Repeat with the Front Left Side Panel (B) and Rear Left Side Panel (D). Do not fully tighten.



- Place the Desk Top (A) upside down on your working surface. Move and place the (2) assembled side pieces on the Table Top piece. Insert (4) Bolt (I), Spring Washer (J) and Flat Washer (K) from pre-drilled holes on the assembled right side panel to the pre-drilled holes on the Desk Top piece securing with the Allen key (H). Repeat with the assembled left side panel.



- Slide the Back Panel (F) into the slots on the side panels. Secure the Back Panel (F) to each Side Panel using (3) Bolt (I), Spring Washer (J) and Flat Washer (K). Secure the Back Panel to the Desk Top using (2) Bolt (I), Spring Washer (J) and Flat Washer (K). Check alignment and tighten all bolts.



- Upright the desk. Attach the Keyboard Tray (G) to the pre-mounted metal glides under the Desk Top.
- Adjust the levelers on bottom of legs to place the Corner Desk evenly when required.

CARE INSTRUCTIONS:

- Dust with a clean, soft cloth.
- Bolt spills immediately, and wipe with a clean, damp, cloth.
- We do not recommend the use of chemical cleansers, abrasives, or furniture polish on our lacquered finish.

Thank you for your purchase
 stores | catalog | www.potterybarnkids.com
 USA 1.800.290.8181