

pottery barn kids

SCHOOLHOUSE SMALL DESK

IMPORTANT SAFETY INSTRUCTIONS:

Please read all instructions carefully before assembling.
For your safety, assembly by two people is recommended.

PARTS INCLUDED:

- (1) Small Desk Top (A)
- (1) Schoolhouse Case (B)
- (1) Schoolhouse Leg Panel (C)

HARDWARE ENCLOSED:

- (1) Allen Key (D)
- (2) ¼" x 25mm Allen Bolts (E)
- (8) ¼" x 16mm Allen Bolts (F)
- (10) ¼" Spring Washer (G)
- (10) ¼" Flat Washer (H)
- (8) ¼"x 20mm Wood Screws (I)
- (2) Metal Bracket (J)

TOOLS REQUIRED FOR ASSEMBLY:

- (1) Allen Key
- (1) Screw Driver

PRE-ASSEMBLY:

- Remove all parts and hardware from the box and lay out on a clear carpeted or scratch-free work surface. (The shipping box provides an ideal work surface), this will avoid damaging any parts during assembly. Do not dispose of any contents until assembly is completed to avoid accidentally discarding small parts or hardware.
- Use the parts and hardware lists above to identify and separate each of the pieces included.
- The illustrations provided allow for easier assembly when used in conjunction with the assembly instructions.
- Note: Do not fully tighten all bolts until all parts are in place. Failure to follow these instructions may cause the bolts to misalign during assembly.
- If using power tools to aid in assembly please use caution. Power tools can damage hardware or split wood.

ASSEMBLY INSTRUCTIONS:

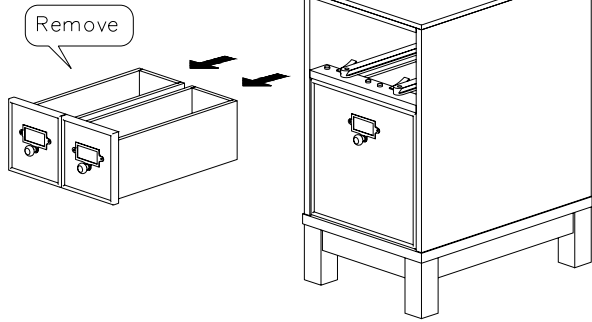
1. Carefully remove top 2 drawers from Schoolhouse Case (B) as shown.
2. Attach Metal Bracket (J) to Leg Panel (C) as shown using (4) Wood Screws (I) and repeat the other side.
3. Place Small Desk Top (A) on the top of Schoolhouse Case (B) and secure by using (2) Allen Bolts (E), Flat Washers & Spring Washers. Attach Leg Panel to Small Desk Top using (8) short Bolt (F) Flat Washers & Spring Washers. Note: The correct order for the washers to go on the Allen Bolt is: Spring Washer first, Flat Washer second. Please see diagram.
4. Place 2 drawers of Schoolhouse Case back to complete the assembly.

CARE INSTRUCTIONS:

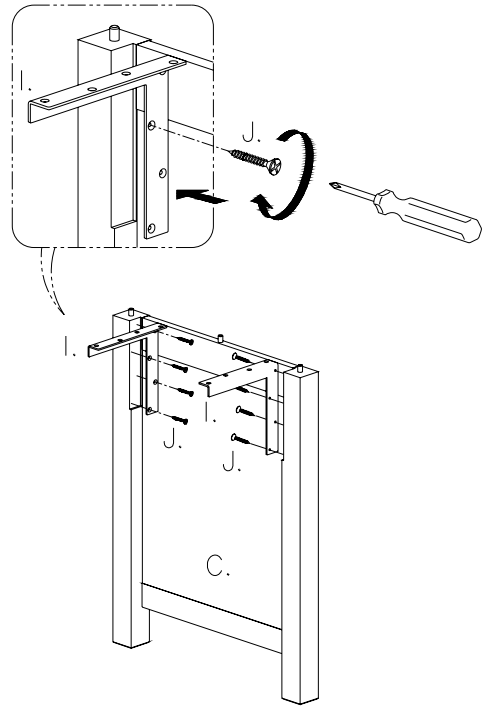
- Dust with a clean, soft cloth.
- Avoid the use of chemicals and harsh cleaning agents.
- Do not stand on the base.

Thank you for your purchase.

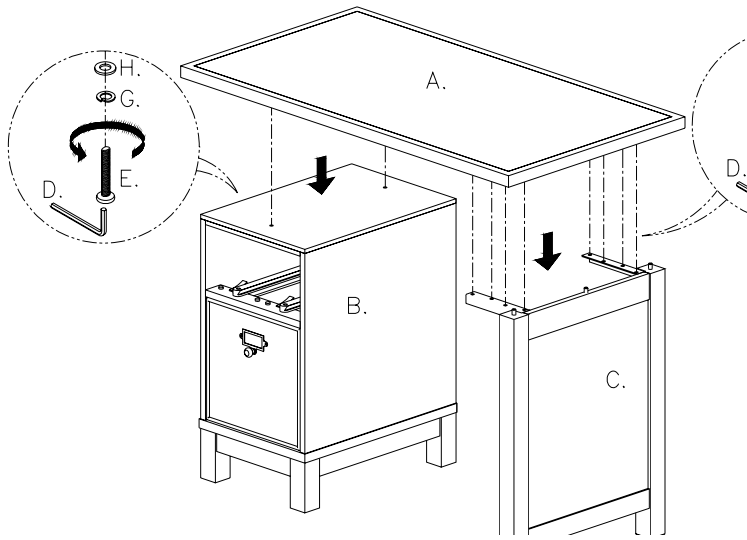
1.



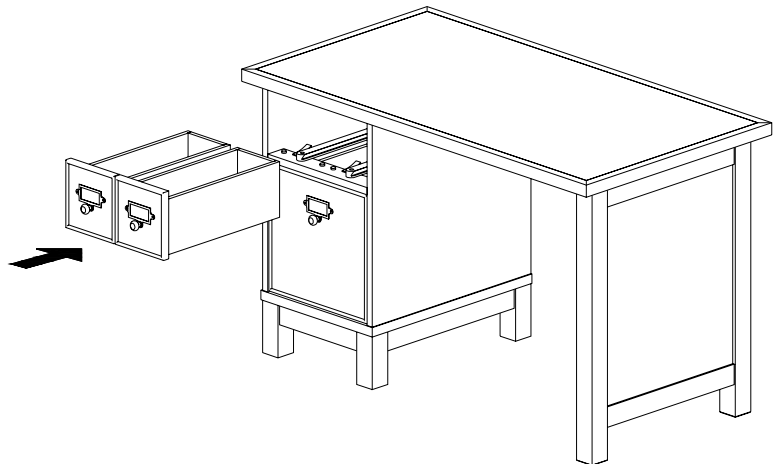
2.



3.



4.



pottery barn kids
SCHOOLHOUSE STORAGE BASE
HARDWARE HANDING KIT

IMPORTANT SAFETY INSTRUCTIONS:

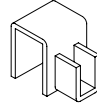
Please read all instructions carefully before assembling.

HARDWARE ENCLOSED:

(2) Metal Bar



(4) Hanging Clip



PRE-ASSEMBLY:

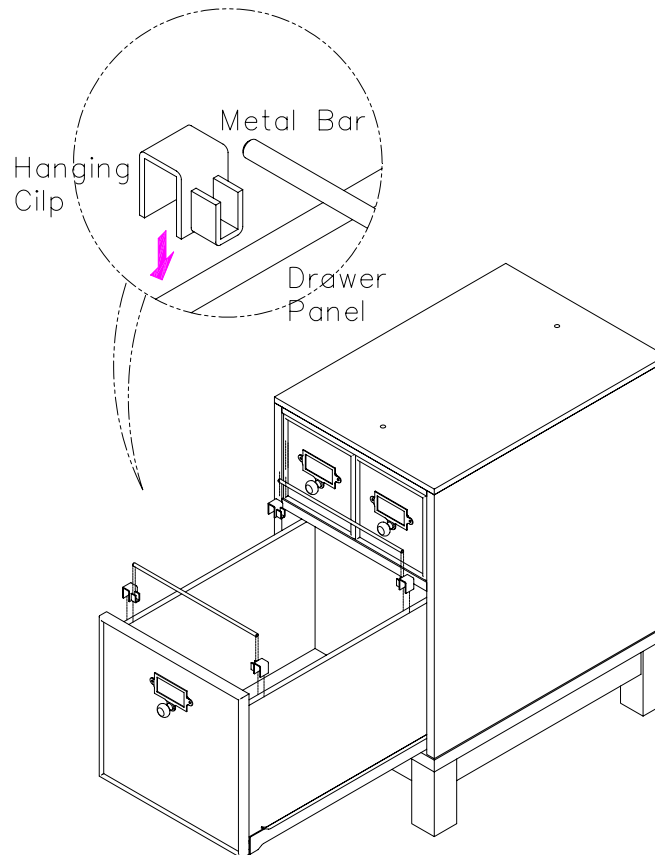
- Remove all parts and hardware from the box and lay out on a clear carpeted or scratch-free work surface (The shipping box provides an ideal work surface), as this will avoid damaging any parts during assembly. Do not dispose of any contents until assembly is completed to avoid accidentally discarding small parts or hardware.

ASSEMBLY INSTRUCTIONS:

1. Remove Metal Bars and Hanging Clips from the hardware plastic bag.
2. Open the bottom drawer and connect 2 clips on each side of the drawer panel. Place the metal bars on the clips as shown in the illustration below.

CARE INSTRUCTIONS:

- Dust with a clean, soft cloth.
- Avoid the use of chemicals and harsh cleaning agents.
- Do not stand on the base.



Thank you for your purchase.