

pottery barn kids chesapeake bow bench

CAUTION : Adult assembly required. This item contains small parts in the unassembled state and care should be taken in the unpacking and assembly of the product.

PRE ASSEMBLY

- Please read all instructions before beginning assembly.
- For ease of assembly two people are recommended.
- Remove all parts and hardware from the box and lay out on a clean, carpeted, or scratch-free work surface, as this will avoid damaging any parts during assembly. The shipping box provides an ideal work surface. Do not dispose of any contents until assembly is completed to avoid accidentally discarding small parts or hardware.

PARTS INCLUDED:

- (A) Bow seat - 1pc
- (B) Bow frame - 2pcs
- (C) Left side - 1pc
- (D) Right side - 1pc
- (E) Support rail - 1pc

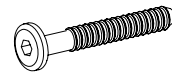
TOOLS REQUIRED:

(I) Allen Key (included)

Phillips Screwdriver (not included)

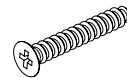
HARDWARE ENCLOSED:

(F) Allen Bolts 30 mm



- 4pcs

(G) Screw 32mm



- 16pcs

(H) Dowel



- 6pcs

(I) Allen key 4mm

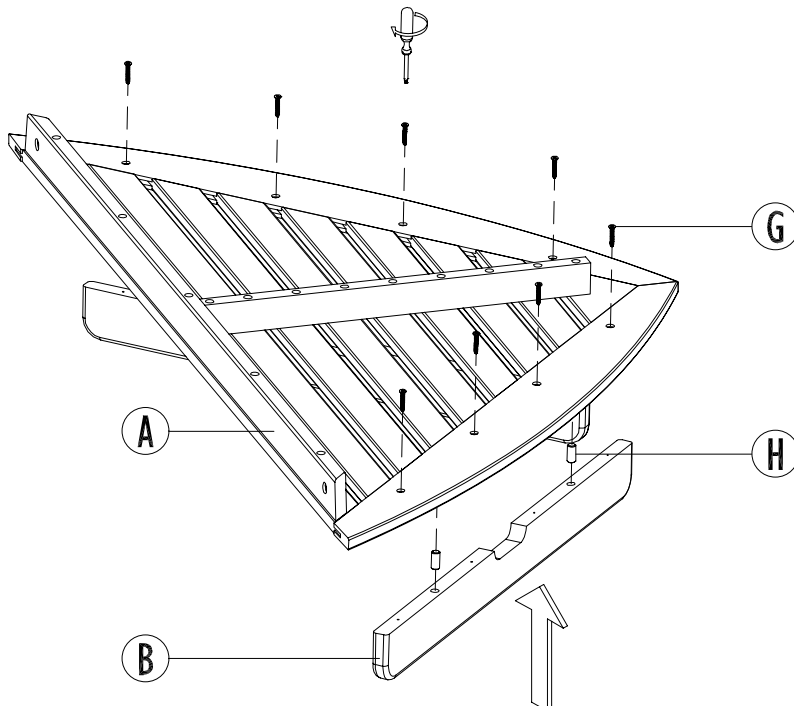


- 1pc

ASSEMBLY INSTRUCTIONS:

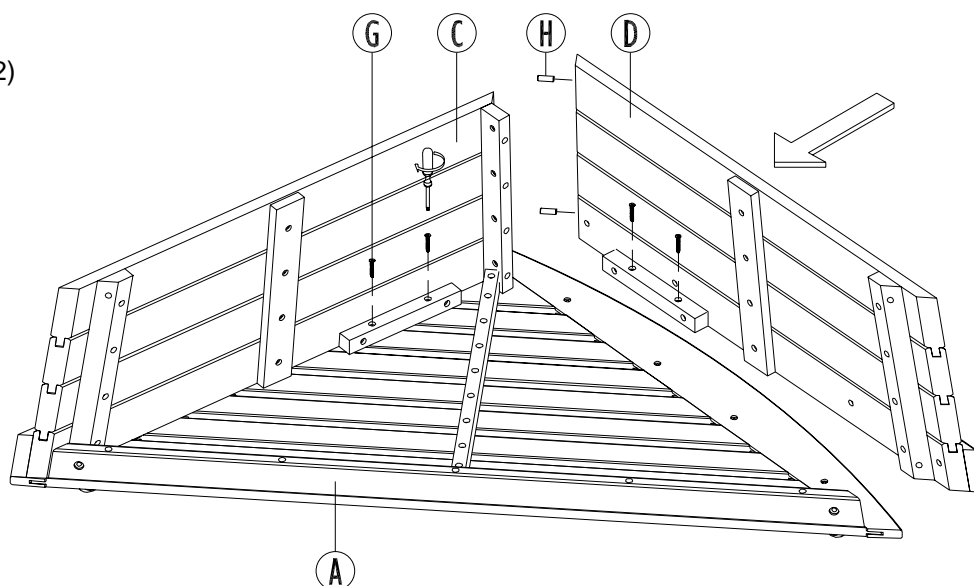
1. Lay the Bow seat (A) face down on your work surface so that the t-shaped support structure is facing up. Insert (2) Dowels into each Bow frame (B), and then insert the doweled-Bow frame into the pre-drilled holes of the Bow seat (A). Secure the connection of the pieces with (4) Wood screws (G) on each side of the assembly. Tighten the connections with a Phillips screwdriver (not included). (Fig. 1)

(Fig. 1)



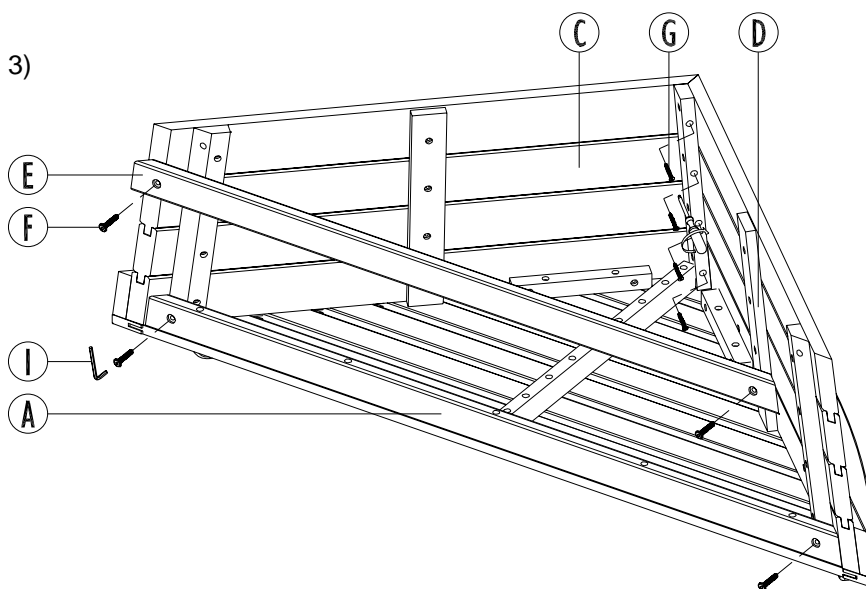
2. Place (2) Dowels (H) between the Left and Right sides (C & D). Place the doweled deck assembly on the Bow frame, and secure the connections using the remaining Wood screws (G). Tighten the connections with a Phillips screwdriver (not included). (Fig. 2)

(Fig. 2)



3. Attach the Support rail (E) to the Left and Right sides (C & D) using (2) Allen bolts (F) and tightening with the included Allen key (I). Turn the bench upright to use. (Fig.3)

(Fig. 3)



CARE INSTRUCTIONS:

- For daily care wipe with a soft dry cloth. Wipe spills with clean, dry cloth. Avoid the use of harsh cleaners and abrasive.
- Should the finish of outdoor furniture change year over year, apply teak oil or your choice of furniture stain to restore the natural luster and beauty of the wood. For maximum results, we recommend carefully following the labeled instructions for correct applications of the teak oil or furniture stain you choose to purchase.
- Store in a dry, covered area when not in use.
- DO NOT STAND ON THE BENCH AT ANY TIME.

Thank you for your purchase
stores | catalog | www.potterybarnkids.com
USA 1.800.290.8181