

# pottery barn kids

## SCHOOLHOUSE DESK HUTCH

### IMPORTANT SAFETY INSTRUCTIONS:

Please read all instructions carefully before assembling.  
For your safety, assembly by two people is recommended.

### PARTS INCLUDED:

(1) Schoolhouse Desk Hutch (A)

### HARDWARE NEEDED:

(1) Screwdriver (not included)

(10) Screws (B)

(2) Connecting Bracket (C)

### TIP KIT PARTS:

(1) Plastic Restraint

(2) Mounting Brackets

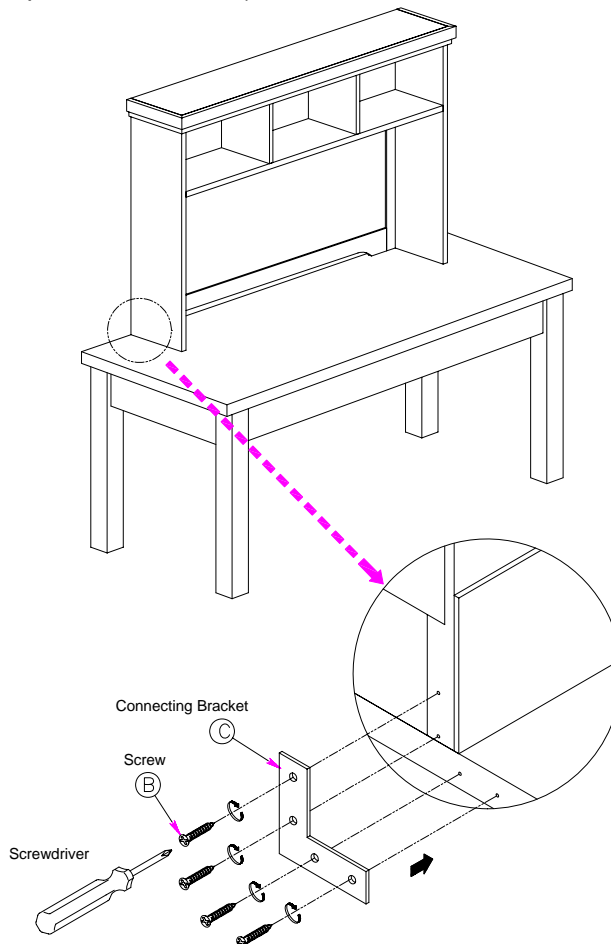
(1) Plastic Anchor

### PRE-ASSEMBLY:

- Remove all parts and hardware from the box and lay out on a clear, carpeted or scratch-free work surface. (The shipping box provides an ideal work surface), this will avoid damaging any parts during assembly. Do not dispose of any contents until assembly is completed to avoid accidentally discarding small parts or hardware.
- Use the parts and hardware lists above to identify and separate each of the pieces included.
- The illustrations provided allow for easier assembly when used in conjunction with the assembly instructions.
- Note: Do not fully tighten all bolts until all parts are in place. Failure to follow these instructions may cause the bolts to misalign during assembly.
- If using power tools to aid in assembly please use caution. Power tools can damage hardware or split wood.

### ASSEMBLY INSTRUCTIONS:

1. Connecting Schoolhouse Desk Hutch to the desk top use (8) Screws (B) and (2) Connecting Brackets (C) as shown. Screws are self-drilling and are designed to go into wood easily. (Remaining (2) Screws are for the Tip Kit, which has separate instructions).



### CARE:

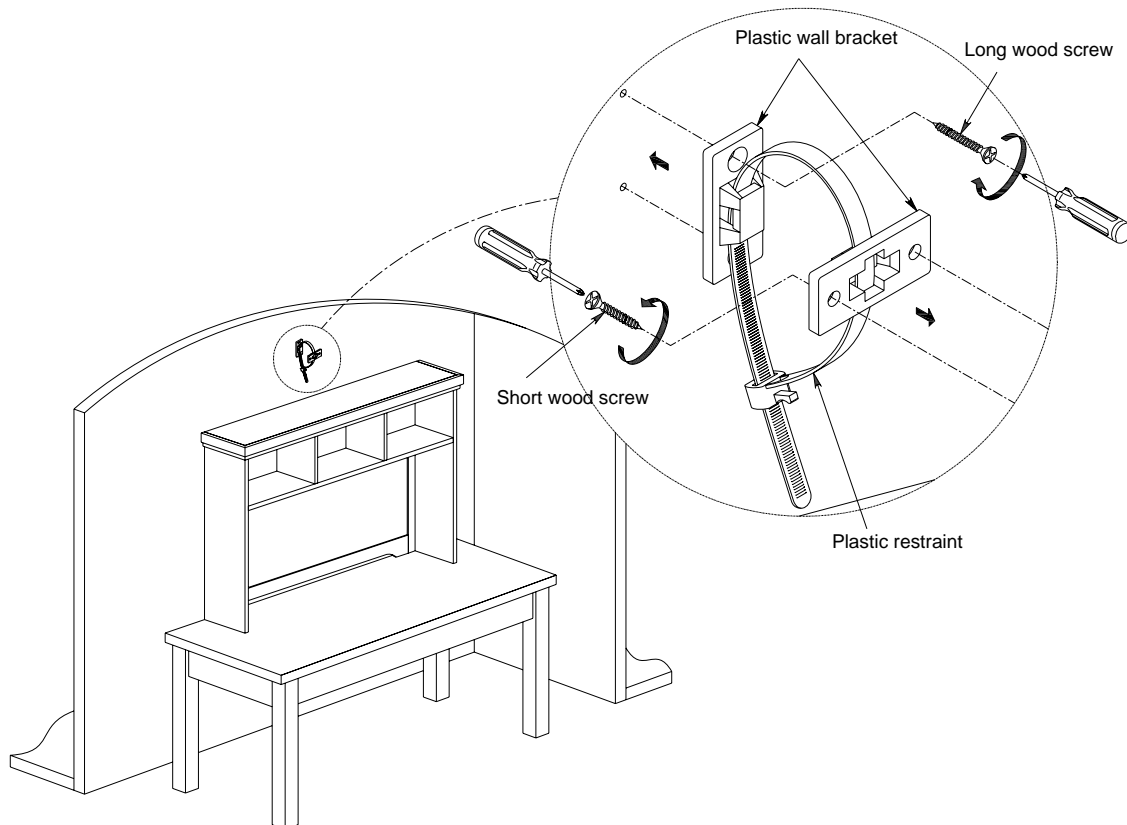
- Dust with a soft dry cloth
- Use furniture wax as needed
- Avoid abrasives and solvent cleaners
- Wipe up spills immediately

## FURNITURE TIPPING RESTRAINT

Young children may be injured by tipping furniture. The use of a tipping restraint is highly recommended.

When properly installed, this restraint could provide protection against the unexpected tipping of furniture due to small tremors, bumping or climbing. We recommend mounting this restraint to a wall stud.

**WARNING:** This product is only a deterrent. It is not a substitute for proper adult supervision.



### Installation Instructions:

1. Attach one of the mounting brackets near the top back edge of the furniture piece by inserting the shorter screw.
2. Determine the final position of the furniture piece. Mark location on the wall approximately 2" below the bracket mounted to the back of the furniture.
3. Drill a starter hole into the wall stud. If wall stud is not available, drill a hole into the wall and insert plastic anchor. Gently tap the anchor until the flange of the anchor is flush with the wall.
4. Attach the second bracket by inserting the longer screw through the bracket and into the wall.
5. Position the furniture so the bracket on the back edge is in line with the bracket on the wall.
6. Lace one end of the nylon restraint strap down through each bracket. Bring both ends together and slide the beaded end until it snap locks into the keyhole slot.
7. To double-lock, return the beaded end back through the keyholes, as shown.
8. Check to make sure the strap is securely laced and locked to the brackets.