

pottery barn kids

HIPPO TABLE

PRE-ASSEMBLY:

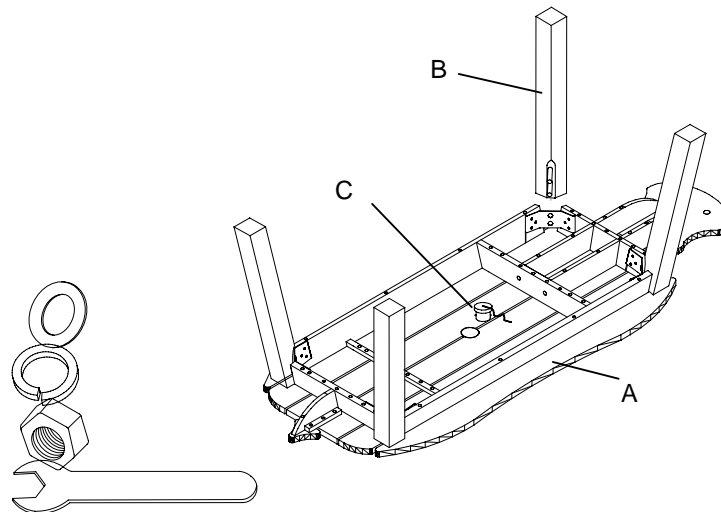
- Read all instructions before beginning assembly. The illustrations provided allow for easier assembly when used in conjunction with the assembly instructions.
- For your safety and ease, assembly by two adults is recommended.
- Remove all part and hardware from the box and lay out on a clean, carpeted, or scratch- free work surface. Use care as some parts or hardware may have sharp points or edges.
- Do not dispose of any contents until assembly is completed to avoid accidentally discarding small parts and hardware.
- Use the parts and hardware lists to identify and separate each of the pieces included.
- Note: Do not fully tighten all bolts until all parts are in place. Failure to follow these instructions may cause the bolts misalign during assembly.
- The use of power tools for assembly is not recommended. Power tools can damage hardware or split wood.

PARTS INCLUDED:

- (A) Bench Seat (1)
- (B) Legs (4)
- (C) Wooden Plug (1)

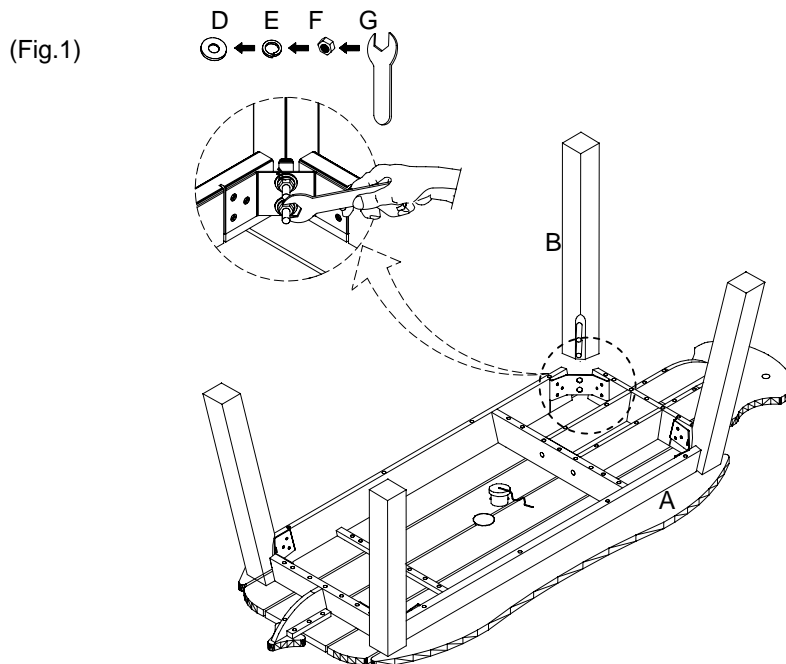
HARDWARE INCLUDED:

- (D) Flat Washer (4)
- (E) Spring Washer (4)
- (F) Nut (4)
- (G) Wrench (1)



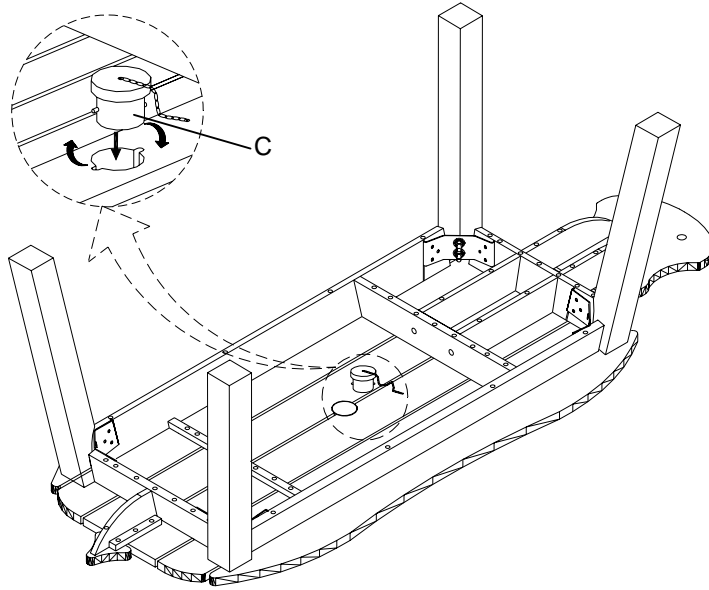
ASSEMBLY INSTRUCTIONS:

1. Carefully lay table top (A) upside down on a carpeted or scratch-free surface. Secure each leg (B) to table top with (2) Flat washers (D), (2) spring washers (E), and (2) nuts (F), using provided wrench (G) (as shown in Figure 1). Tighten all connections.



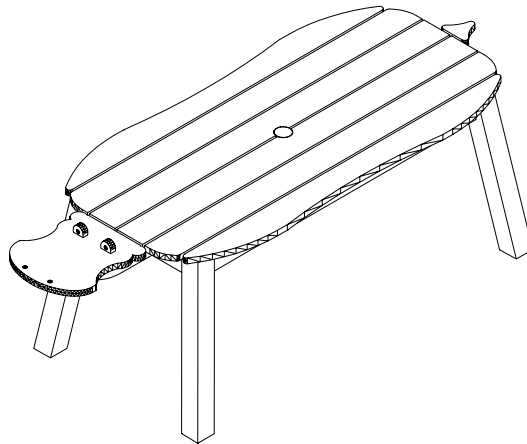
2. If not using an Umbrella, insert the Wooden plug (C) as shown in Figure 2, and twist clockwise.

(Fig.2)



3. Turn the table upright. Assembly is complete.

(Fig.3)



CARE INSTRUCTIONS:

- For daily care wipe with a soft dry cloth. Blot Spills immediately and wipe with a clean dry cloth.
- Store in a dry, covered area when not in use.
- We do not recommend the use of chemical cleansers, abrasives, or furniture polish.
- Over time, the product may begin to gray. To nourish the wood, wash with soap and water. When dry, apply a coating of teak oil with a clean cloth. Remove excess oil by blotting with a soft, clean cloth.

Thank you for your purchase
stores | catalog | www.potterybarnkids.com
USA 1.800.290.8181