

# pottery barn kids

## MADELINE SMART DESK HUTCH

### PRE-ASSEMBLY:

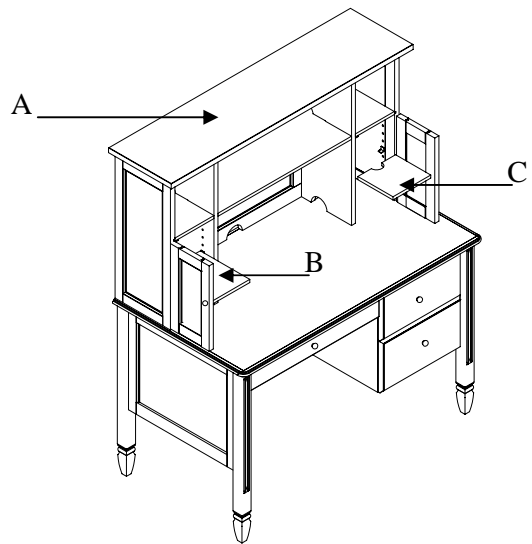
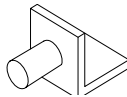
- Read all instructions before beginning assembly. The illustrations provided allow for easier assembly when used in conjunction with the assembly instructions.
- For your safety and ease, assembly by two adults is recommended.
- Remove all part and hardware from the box and lay out on a clean, carpeted, or scratch-free work surface. Use care as some parts or hardware may have sharp points or edges.
- Do not dispose of any contents until assembly is completed to avoid accidentally discarding small parts and hardware.
- Use the parts and hardware lists to identify and separate each of the pieces included.
- Note: Do not fully tighten all bolts until all parts are in place. Failure to follow these instructions may cause the bolts misalign during assembly.
- The use of power tools for assembly is not recommended. Power tools can damage hardware or split wood.

### PARTS INCLUDED:

- A – Hutch (1)
- B – Large adjustable shelf (1)
- C – Small adjustable shelf (1)

### HARDWARE INCLUDED:

- D –Phillips head screws 6x15mm (8)
- E –Metal plate 112 x 19 x 2.5mm (2)
- F–Shelf support (8)

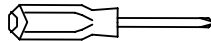


### PARTS REQUIRED:

- Madeline Storage Desk (sold separately)
- Smart Strip (sold separately)

### TOOLS REQUIRED:

- Phillips head screwdriver (not included)



### ASSEMBLY INSTRUCTIONS:

1. Place the Hutch (A) on the Storage Desk (sold separately). Attach the (2) Metal Plates (E) to the back edge of the Desk and Hutch with (4) Small Phillips Screws (D) each, using the Phillips Head Screwdriver, as shown in Figure1.

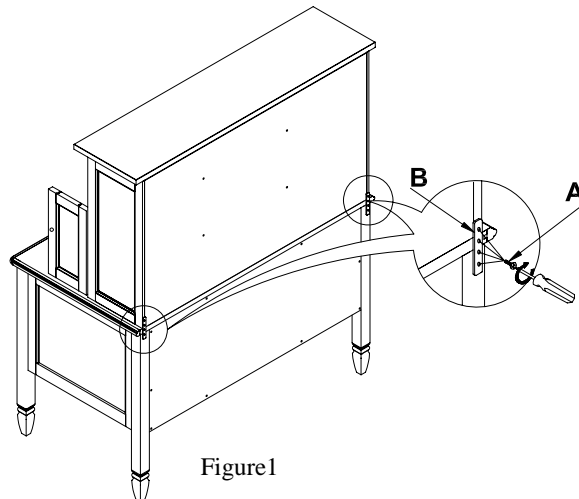


Figure1

2. Open the Left door of the Hutch (A) and insert (4) Shelf Supports (F) at desired shelf height. Place the Large Shelf (B) on the supports. Repeat with right door and Small Shelf (C) (Figure 2).

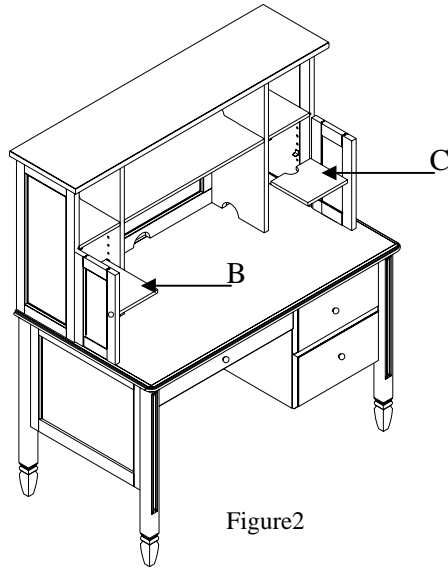


Figure2

3. If you have purchased the Smart Strip Component (sold separately), install it behind the right door, as shown using the Small Phillips Head Screws (included with the Smart Strip). Fasten using Phillips Head Screwdriver (not included), (Figure 3).

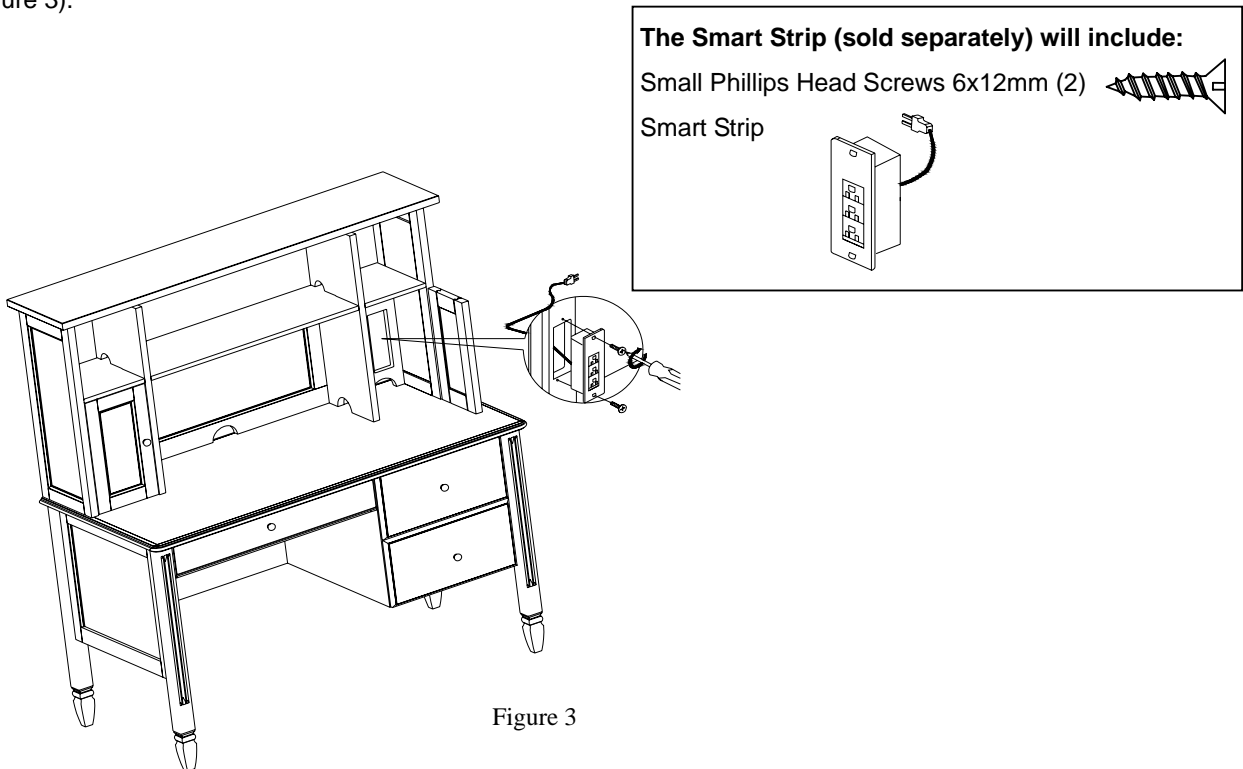


Figure 3

**CARE INSTRUCTIONS:**

- Dust often using a clean, soft, dry lint-free cloth.
- Blot spills immediately, and wipe with a clean, damp, cloth.
- We do not recommend the use of chemical cleansers, abrasives, or furniture polish on our lacquered finish.

Thank you for your purchase  
Stores | catalog | [www.potterybarnkids.com](http://www.potterybarnkids.com)  
USA 1.800.290.8181