

# pottery barn kids

## THOMAS DESK

### IMPORTANT SAFETY INSTRUCTIONS:

Please read all instructions carefully before assembling.  
For your safety, assembly by two people is recommended.





### PRE-ASSEMBLY:

- Remove all parts and hardware from the box and lay out on a clean, carpeted, or scratch-free work surface, as this will avoid damaging any parts during assembly. The shipping box provides an ideal work surface. Do not dispose of any contents until assembly is completed to avoid accidentally discarding small parts or hardware.
- Use the parts and hardware lists above to identify and separate each of the pieces included.
- The illustrations provided allow for easier assembly when used in conjunction with the assembly instructions.
- Note: Do not fully tighten all bolts until all parts are in place. Failure to follow these instructions may cause the bolts to misalign during assembly.
- If using power tools to aid in assembly please use caution. Power tools can damage hardware or split wood.

### PARTS INCLUDED:

- (1) Desktop (A)
- (1) Drawer Box (B)
- (2) Left & Right Side Panel (C)
- (1) Back Panel (D)
- (4) Leg (E)

### HARDWARE ENCLOSED :

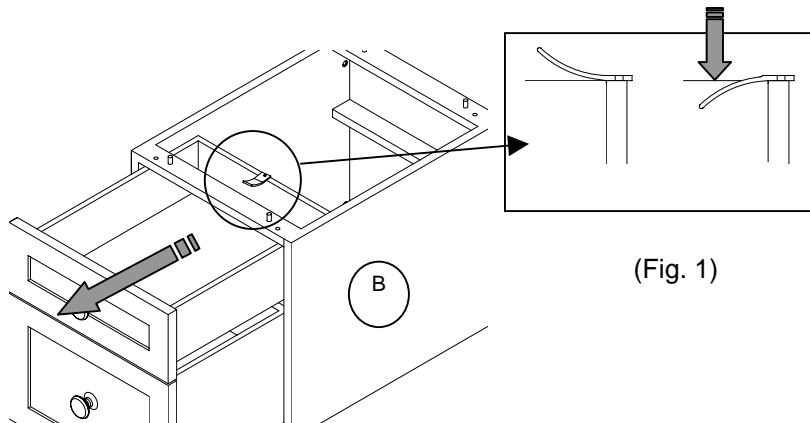
- (19) Flat washer M6 (F) 
- (19) Spring washer M6 (G) 
- (19) JCBC M6x35mm Screw (H) 
- (1) Allen Key (I) 

### TOOLS REQUIRED:

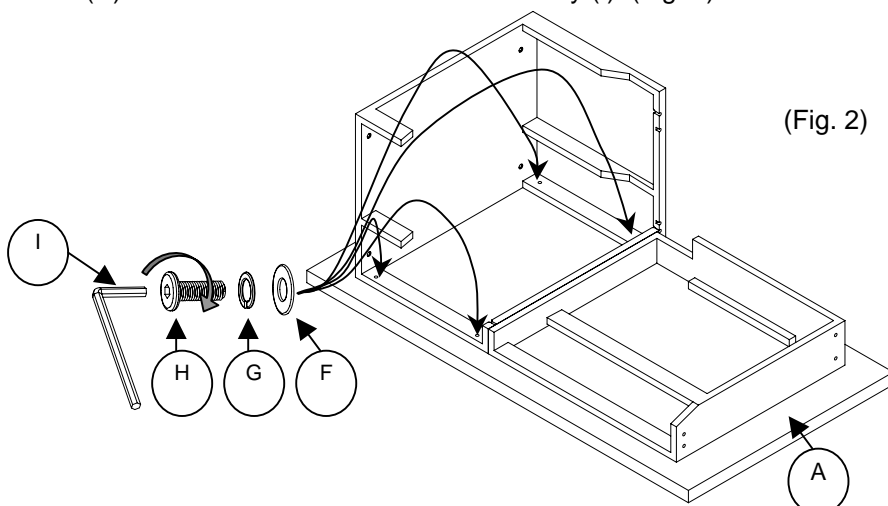
Allen Key (included)

### ASSEMBLY:

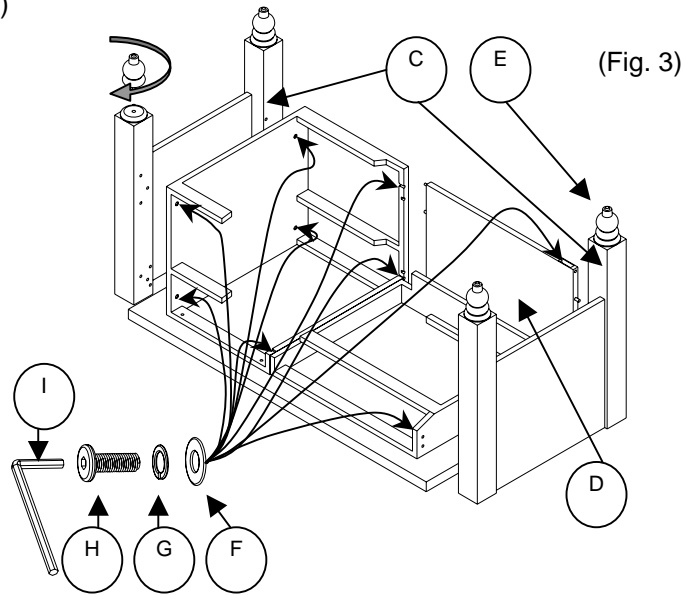
1. Carefully lay the Desktop (A) on your work surface.
2. Gently press down the stopper at the back of drawer to remove the drawer from drawer box (B) and set aside. (Fig. 1)



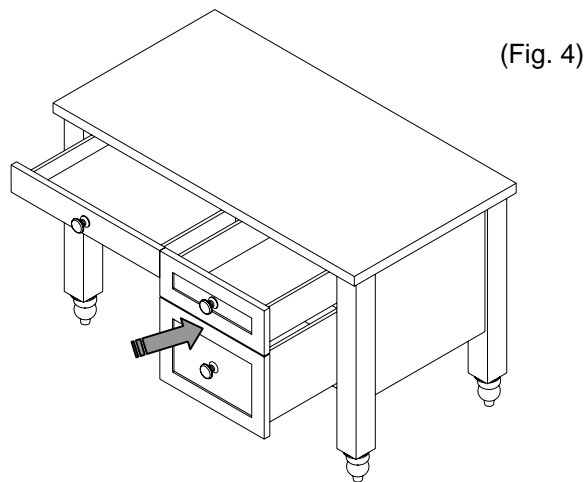
3. Remove the keyboard tray from desktop and set aside. Attach Drawer Box (B) to the Desktop (A) until the dowels are fully secured into the pre-drilled holes. Use the Flat washer (F), Spring washer (G) and JCBC screw (H) to fasten the connection with Allen key (I). (Fig. 2)



4. Thread the Leg (E) into the Side Panel (C). Turn clockwise until tight.
5. Attach the Back Panel (D) to the Desktop as shown. Locate the dowels on the left side of the Back Panel. Attach the Side Panel to the Back Panel by aligning the pre-drilled holes with dowels. Use Flat washer (F), Spring washer (G) and JCBC screw (H) to fasten the connection with Allen key (I). Align the right side panel to the drawer frame and use Flat washer (F), Spring washer (G) and JCBC screw (H) to fasten the connection with Allen key (I). (Fig. 3)



6. Carefully grip the desk firmly at each end and turn it upright. Gently insert the keyboard tray and drawer. (Fig. 4)



**CARE INSTRUCTIONS:**

- Dust with a clean, soft cloth.
- Bolt spills immediately, and wipe with a clean, damp, cloth.
- We do not recommend the use of chemical cleansers, abrasives, or furniture polish on our lacquered finish.

Thank you for your purchase  
stores | catalog | [www.potterybarnkids.com](http://www.potterybarnkids.com)  
USA 1.800.290.8181