

# pottery barn kids

## chesapeake dining chair

**CAUTION** : Adult assembly required. This item contains small parts in the unassembled state and care should be taken in the unpacking and assembly of the product.

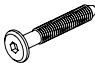

### PRE ASSEMBLY

- Please read all instructions before beginning assembly.
- For ease of assembly two people are recommended.
- Save all packing materials until assembly is complete to avoid accidentally discarding smaller parts or hardware.

### PARTS INCLUDED:

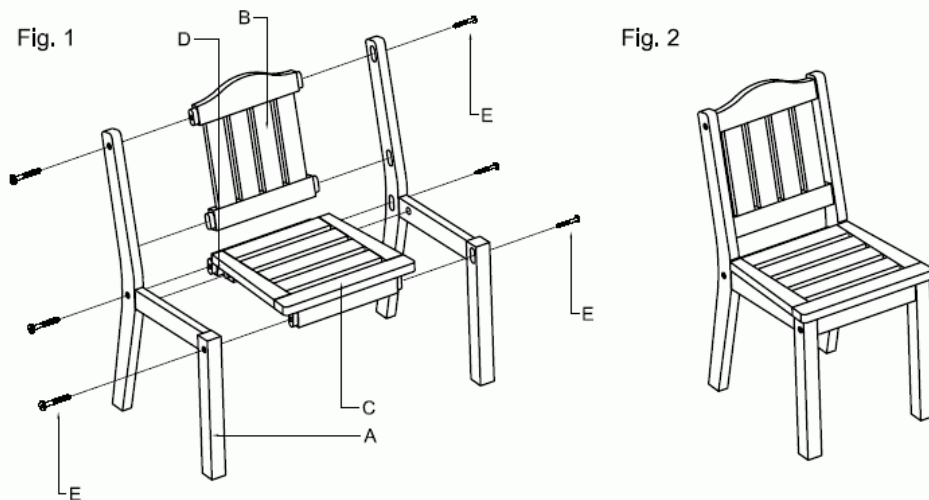
- (A) Leg Frame - 2 pcs
- (B) Back Rest - 1 pc
- (C) Seat Rest - 1 pc
- (D) Back Stretcher - 1 pc

### HARDWARE ENCLOSED:

- (E) Allen Bolt M6 x 40 mm  - 6pcs
- (F) Allen Key #4  - 1pc

### ASSEMBLY INSTRUCTIONS:

1. Connect the Right Leg frame (A) to the Back rest (B), Seat rest (C) and the Back stretcher (D) with (3) Allen bolts (E) as shown (Fig. 1).
2. Repeat Step 1 with the Left Leg frame (A).
3. Completely tighten all bolts once chair is assembled.



### CARE INSTRUCTIONS:

- For daily care wipe with a soft dry cloth. Wipe spills with clean, dry cloth. Avoid the use of harsh cleaners and abrasive.
- Should the finish of outdoor furniture change year over year, apply teak oil or your choice of furniture stain to restore the natural luster and beauty of the wood. For maximum results, we recommend carefully following the labeled instructions for correct applications of the teak oil or furniture stain you choose to purchase.
- Store in a dry, covered area when not in use.