

pottery barn kids

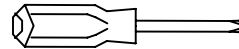
MADELINE STORAGE DESK HUTCH

PRE-ASSEMBLY:

Please read all instruction before beginning assembly. For your safety and ease, assembly by two-person assembly is recommended. Save all packing materials until assembly is complete to avoid accidentally discarding smaller parts or hardware. Use caution when using power tools to aid in assembly. Power tools can split wood or strip hardware if not used carefully.

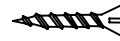
TOOLS INCLUDED:

Phillips head screwdriver (not included)



HARDWARE:

A –Small Phillips head screws (x8)



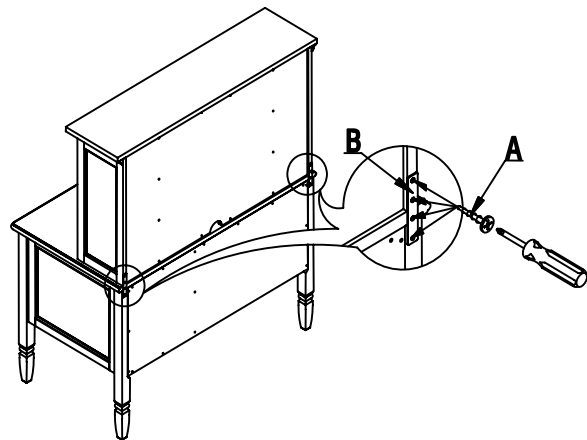
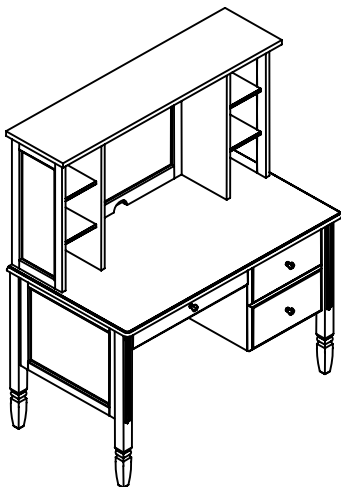
B –Metal plate (x2)



ASSEMBLY:

Step1 through 4

1. Place the desk hutch on storage desk in upright position, as shown.
2. Using the Philips head screwdriver, attach the (B) metal plates to the back edge of the desk hutch by inserting the (A) small Phillips head screw.
3. Hardware should be checked periodically for tightness.



Thank you for your purchase

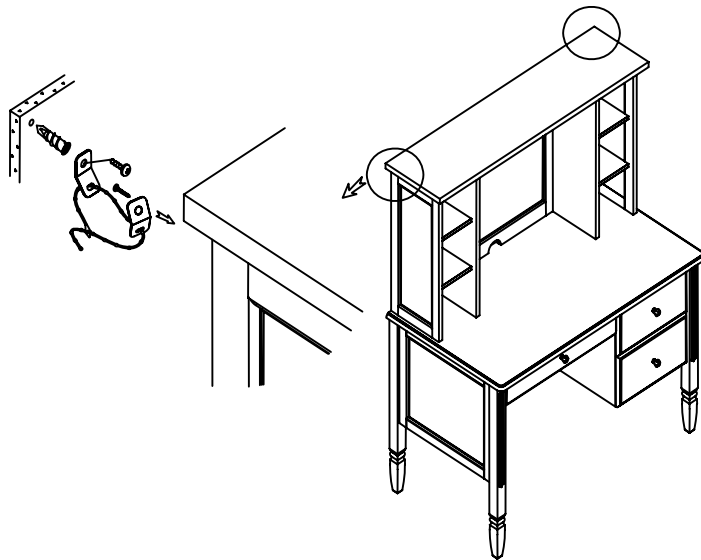
stores | catalog | www.potterybarnkids.co

FURNITURE TIPPING RESTRAINT

Young children may be injured by tipping furniture. The use of a tipping restraint is highly recommended.

When properly installed, this restraint could provide protection against the unexpected tipping of furniture due to small tremors, bumping or climbing. We recommend mounting this restraint to a wall stud.

WARNING: This product is only a deterrent. It is not a substitute for proper adult supervision.



INSTALLATION INSTRUCTIONS:

1. Attach one of the metal brackets near the top back edge of the furniture piece by inserting the pan head screw.
2. Determine the final position of the furniture piece. Mark location on the wall approximately 2" below the bracket mounted to the back the furniture.
3. Drill a starter hole into the wall stud. If wall stud is not available, drill a hole into the wall and insert metal anchor. Gently tap the anchor until the flange of the anchor is flush with the wall.
4. Attach the second bracket by insert the Phillips head screw through the bracket and into the wall.
5. Position furniture so the bracket on the back edge is in line with the bracket on the wall.
6. Lace one end of the nylon restraint strap down through each bracket. Bring both ends together and slide the beaded end until it snap locks into the keyhole slot.
7. To double lock; return the beaded end back through the keyholes as shown.
8. Check to make sure the strap is securely laced and locked to the brackets.