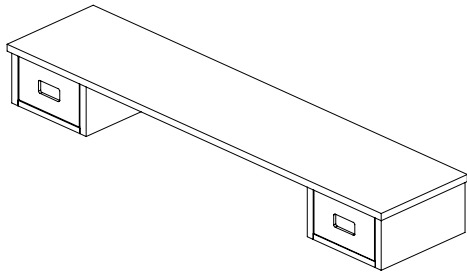


# pottery barn kids

## RILEY DESK HUTCH

### PRE-ASSEMBLY:

- Read all instructions before beginning assembly. The illustrations provided allow for easier assembly when used in conjunction with the assembly instructions.
- For your safety and ease, assembly by two adults is recommended.
- Remove all parts and hardware from the box and lay out on a clean, carpeted, or scratch-free work surface. Use care as some parts or hardware may have sharp points or edges.
- Do not dispose of any contents until assembly is completed to avoid accidentally discarding small parts or hardware.
- Use the parts and hardware lists to identify and separate each of the pieces included.
- Note: Do not fully tighten all bolts until all parts are in place. Failure to follow these instructions may cause the bolts to misalign during assembly.
- The use of power tools for assembly is not recommended. Power tools can damage hardware or split wood.



### PARTS INCLUDED:

(A) Desk Hutch – 1pc

### HARDWARE INCLUDED:


(B) Mending Bracket  - 2pcs

(C) Wood Screw 3x12mm  - 4pcs

### PARTS REQUIRED:

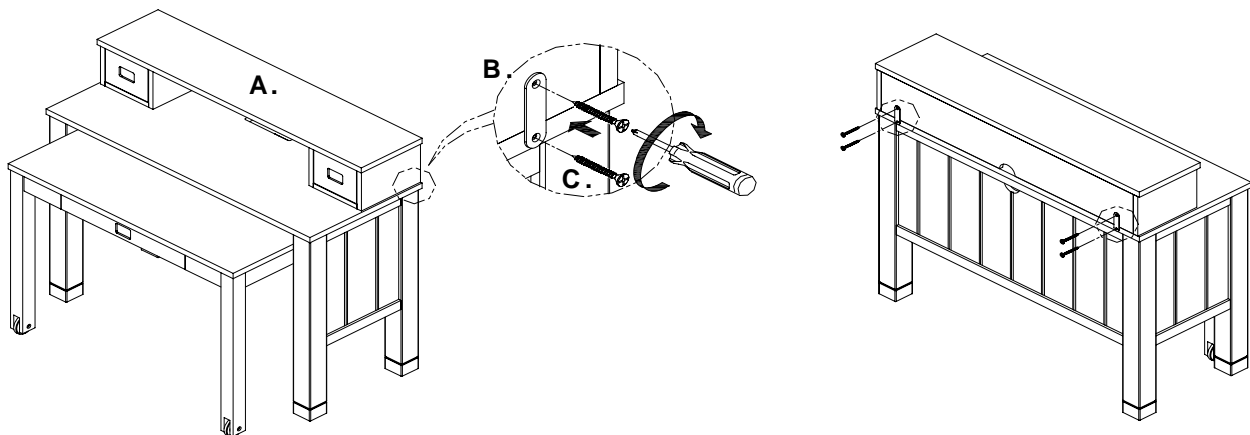
Riley Desk (sold separately)

### TOOLS REQUIRED:

Philips Screwdriver (Not included) 

### ASSEMBLY INSTRUCTIONS:

1. To connect the Desk Hutch to a Riley Desk (sold separately), place (2) Mending Brackets (B) over the pre-drilled holes on backs of the Desk Hutch and Riley Desk, securing with (4) Wood Screws (C).



2. As a safety precaution, please follow the instructions enclosed to secure the product to the wall using the tipping-restraint kit included.

### CARE INSTRUCTIONS:

- Dust often using a clean, soft, dry lint-free cloth.
- Blot spills immediately, and wipe with a clean, damp, cloth.
- We do not recommend the use of chemical cleansers, abrasives, or furniture polish on our lacquered finish.

Thank you for your purchase.  
stores | catalog | [www.potterybarnkids.com](http://www.potterybarnkids.com)  
USA 1.800.290.8181