

pottery barn kids

thomas desk & hutch

Please read all instructions carefully before beginning assembly.

For your safety, assembly by two people is recommended.

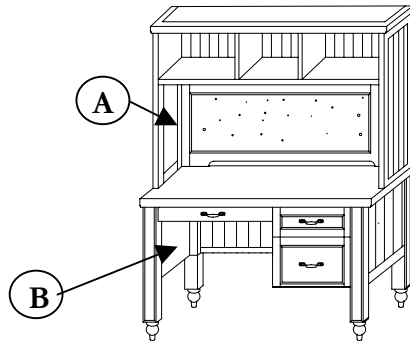
Save all packing materials until assembly is complete to avoid accidentally discarding smaller parts or hardware.

Philips head screwdriver not included.

Parts Enclosed:

(1) Study Hutch (A)

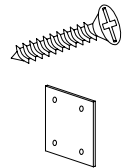
(1) Study Desk (B)



Hardware Enclosed:

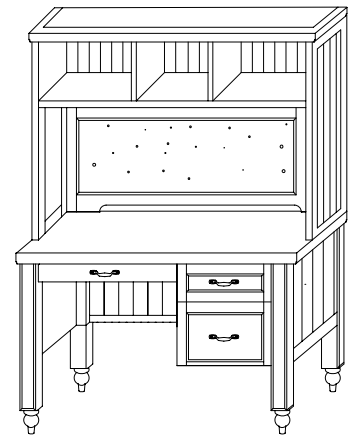
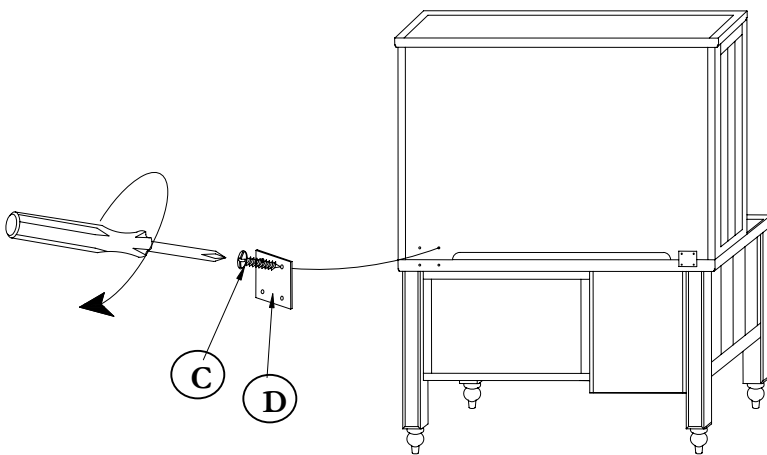
(8) CBS M4x16mm (C)

(2) Connection plate (D)



To secure the study hutch to the desk, please follow these steps: -

ASSEMBLY:



Assembled

1. Carefully raise the study hutch (A) with another person and set it on the study desk (B) as shown. Attach the connection plate (D) by aligning it with the pre-drilled pilot holes. Use CBS screws (C) to fasten the connection. Assembly is complete.

The use of power tools during the assembly of this item can cause the hardware to strip or the wood to split. Please proceed with extreme care.

CARE:

To clean, wipe with a soft dry or slightly damp cloth.

Thank you for your purchase