

pottery barn kids

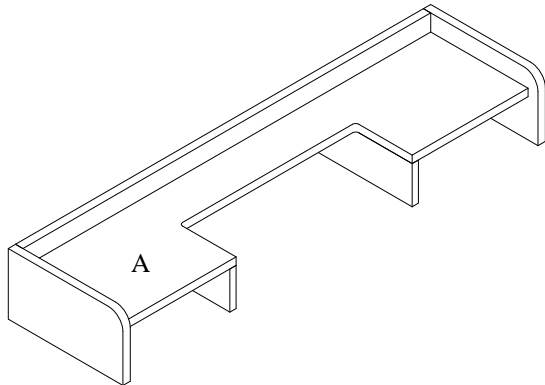
FARMHOUSE DESK HUTCH

PRE-ASSEMBLY:

- Please read all instruction before beginning assembly. The illustrations provided allow for easier assembly when used in conjunction with the assembly instructions.
- Remove all parts and hardware from box and lay out on a carpeted or scratch-free work surface, as this will avoid damaging any parts during assembly. The shipping box provides an ideal work surface. Do not dispose of any contents until assembly is completed to avoid accidentally discarding small parts or hardware.
- For your safety and ease, adult assembly by two people is recommended.
- Save all packing materials until assembly is complete to avoid accidentally discarding smaller parts or hardware.
- Use the parts and hardware lists to identify and separate each of the pieces included prior to starting assembly.
- Note: Do not fully tighten all bolts until all parts are in place. Failure to follow these instructions may cause the bolts to misalign during assembly.
- If using power tools to aid in assembly please use caution. Power tools can damage hardware or split wood.

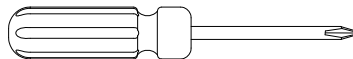
PARTS INCLUDED:

(A) Hutch - 1pc



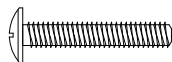
TOOLS REQUIRED:

Phillips head screwdriver (not included)



HARDWARE ENCLOSED:

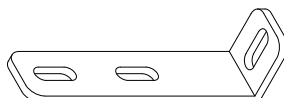
(B) #5x15mm Screws - 2pcs



(C) #5x25mm Screws - 4pcs



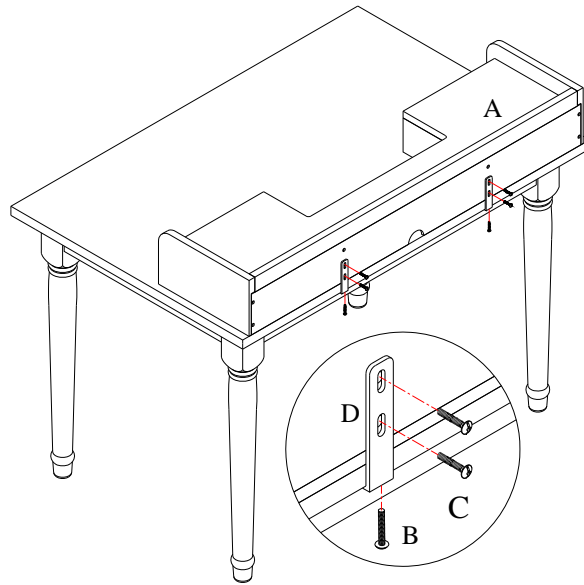
(D) Mending plate - 2pcs



ASSEMBLY INSTRUCTIONS:

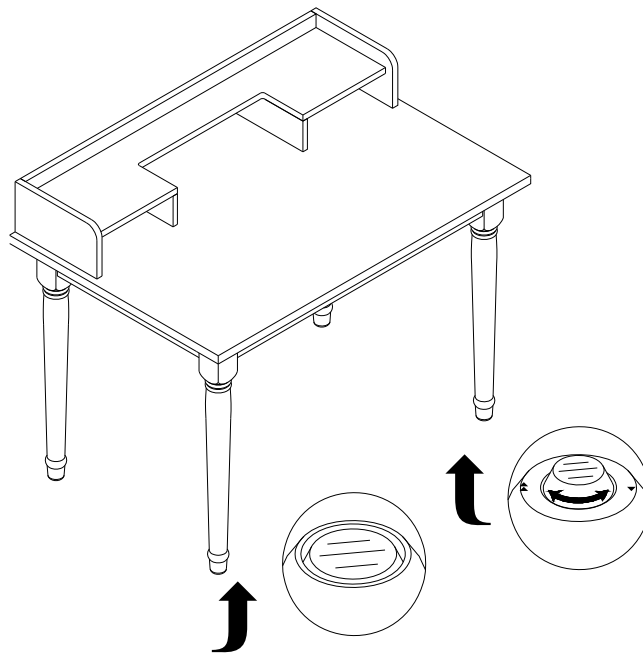
1. Carefully place the Hutch (A) on the Desk as shown in figure 1. Align the pre-drilled holes of the Hutch to the back of the Desk. Fasten Mending plate (D) to the Hutch and the Desk using 1 Screws (B) and using 2 Screws (C) . Tighten with Phillips head screwdriver. Repeated with second Mending plate (D). See Fig.1

(Fig. 1)



2 Adjust the Adjustable Levelers on the bottom of the Legs by loosening or tightening them so the Table sits evenly on floor.

(Fig. 2)



CARE INSTRUCTIONS:

- Dust often using a clean, soft, dry lint-free cloth.
- Blot spills immediately, and wipe with a clean, damp, cloth.
- We do not recommend the use of chemical cleansers, abrasives, or furniture polish on our lacquered finish.

Thank you for your purchase
stores | catalog | www.potterybarnkids.com