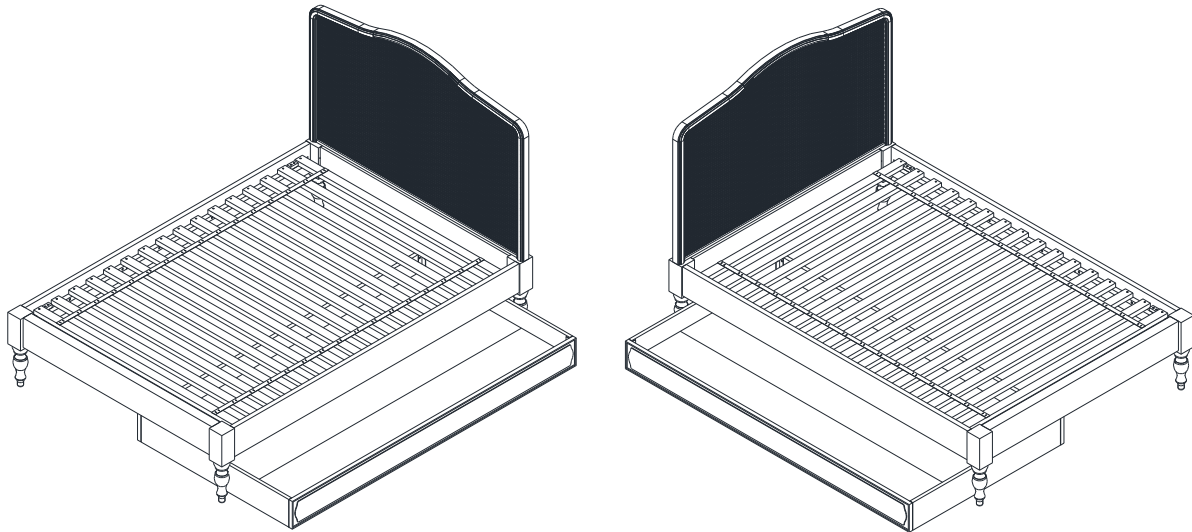
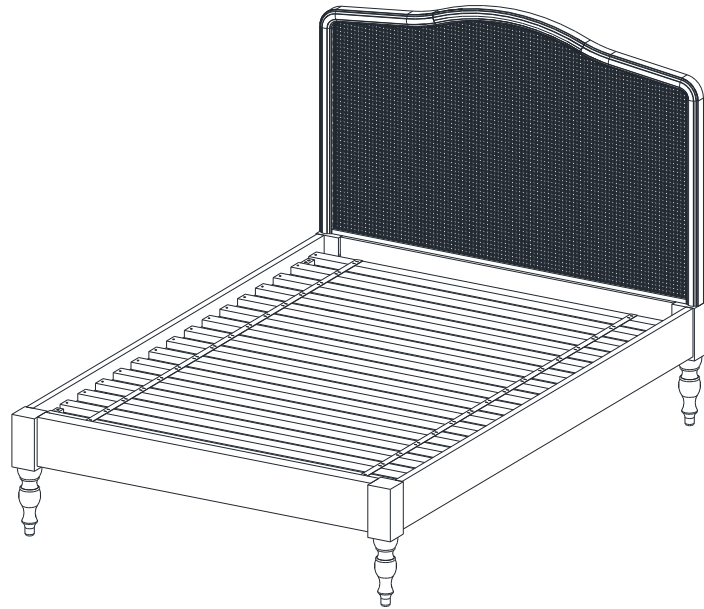


pottery barn kids



Shown With Trundle Bed

GEORGIA CANE BED

www.potterybarnkids.com

ENGLISH

Important Safety Instructions:

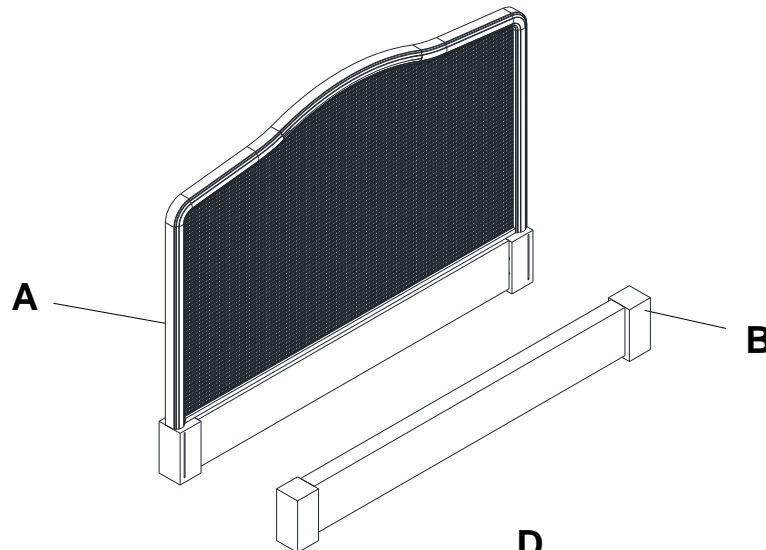
- Please read all instructions carefully before assembling this Dresser.
- For your safety, assembly by two or more adults is strongly recommended.
- Keep these instructions for future use.
- Use only vendor-supplied hardware to assemble this item. Using unauthorized hardware could jeopardize the structural integrity of the item.

PRE-ASSEMBLY:

- Remove all parts and hardware from the box. Place all items on a carpeted or scratch-free work surface, as this will avoid damaging parts during assembly. The shipping box provides an ideal work surface.
- To avoid accidentally discarding small parts or hardware, do not dispose of any packaging or contents of the shipping carton until assembly is complete.
- Use the parts and hardware lists below to identify and separate each of the pieces included.
- The illustrations provided allow for easier assembly when used in conjunction with the assembly instructions.
- The use of power tools to aid in assembly is not recommended. Power tools can damage the hardware and split the wood.

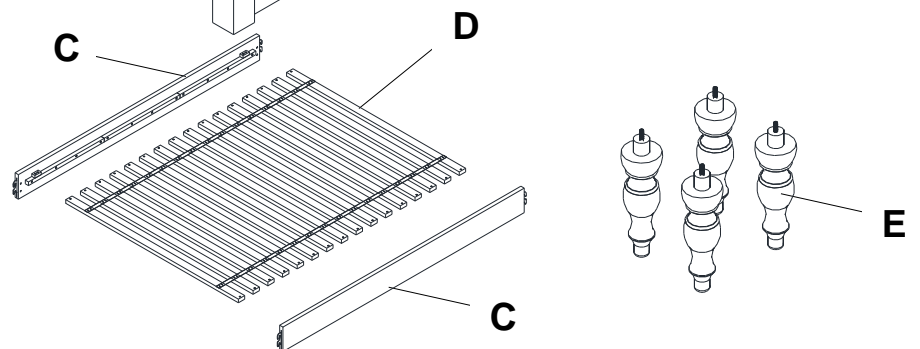
Parts included in Box 1:

- (A) Headboard 1Pc
- (B) Footboard 1Pc



Parts included in Box 2:

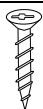
- (C) Side Rails 2Pcs
- (D) Slat Roll 1Pc
- (E) Bun Feet 4Pcs



Hardware Enclosed:

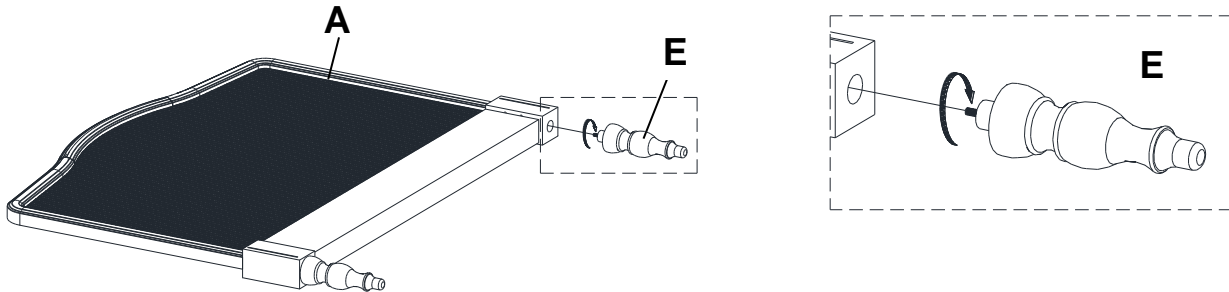
(Packed in Carton 2)

- (F) Wood Screw – 32 pcs
($\varnothing 6 \times 1 \frac{1}{4}$ ")

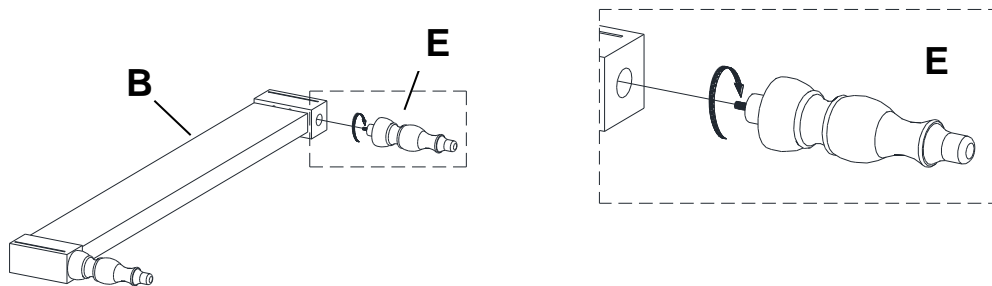


ASSEMBLY INSTRUCTIONS / INSTRUCTIONS D'ASSEMBLAGE:

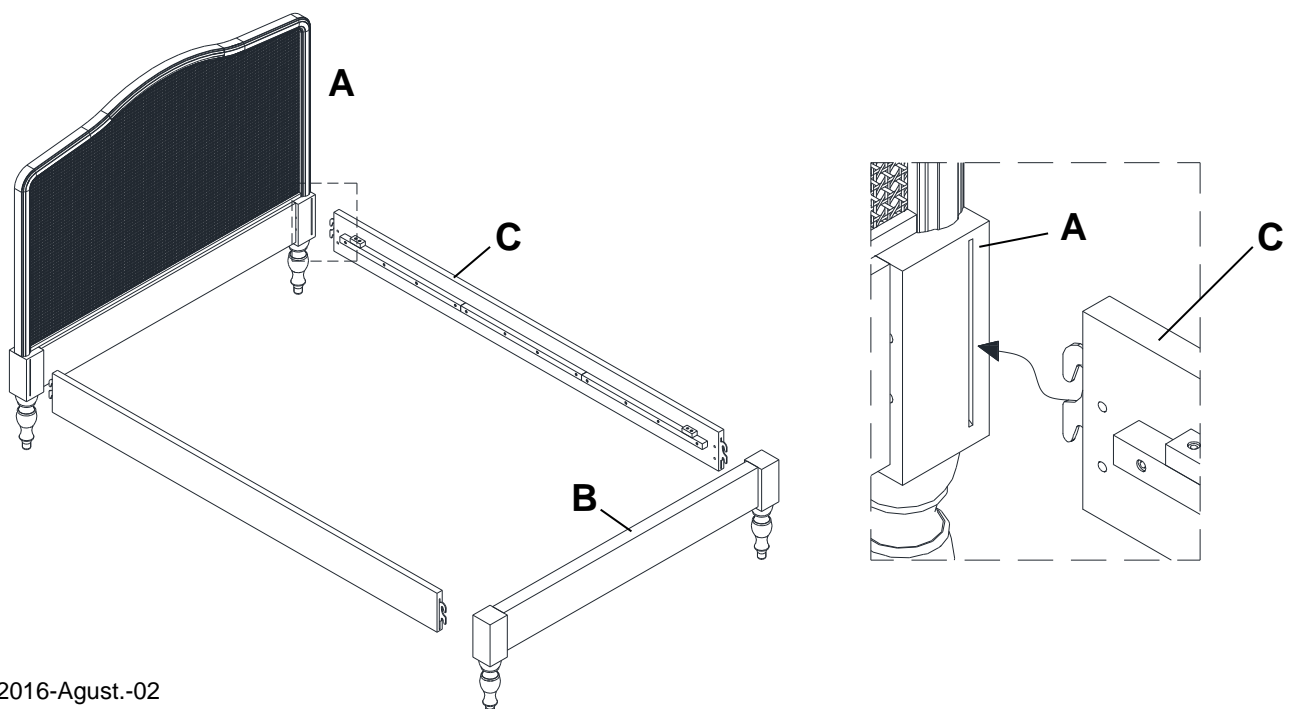
1. Lay the headboard (A) on a smooth, scratch-free surface such as carpet or cardboard. Assemble Bun Feet (E) by inserting the exposed bolts on the bun feet into the insert nut on the bottom panel, as shown below.



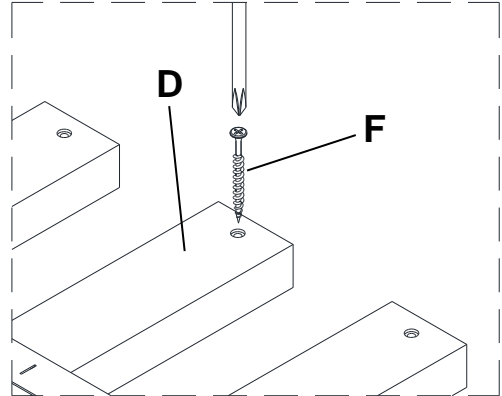
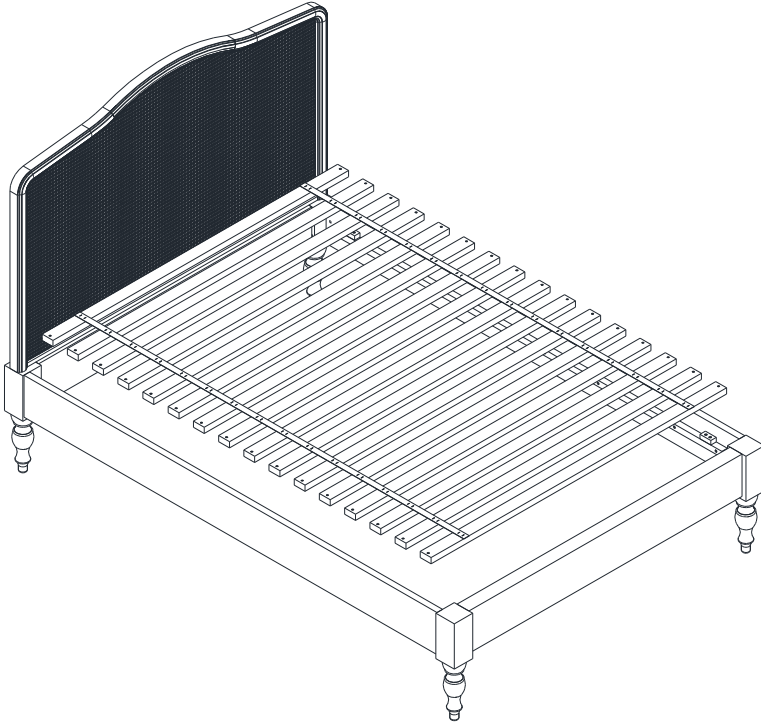
2. Lay the footboard (B) on a smooth, scratch-free surface such as carpet or cardboard. Assemble Bun Feet (E) by inserting the exposed bolts on the bun feet into the insert nut on the bottom panel, as shown below.



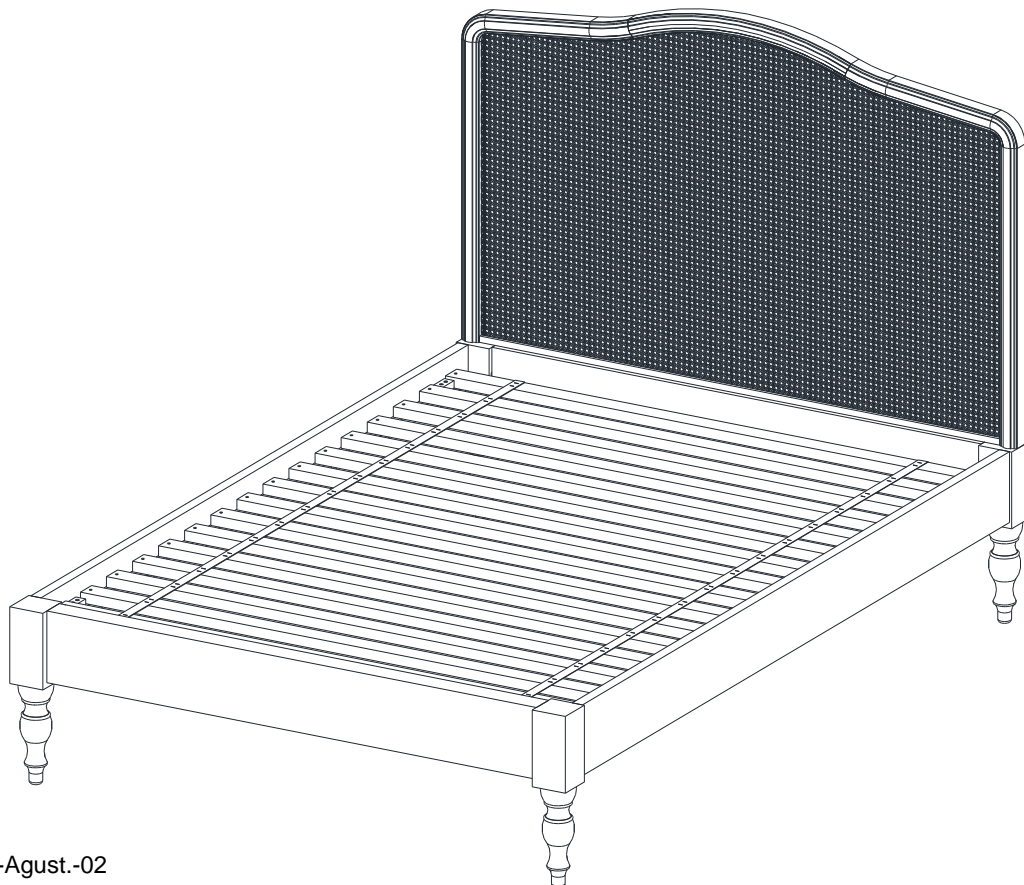
3. Attach side rails (C) to the headboard (A) and footboard (B) by inserting the hooks into the corresponding slots. Ensure connections are secure as shown below.



4. Lay Slat Roll (D) on top of side rail supports. Secure with 32 pcs Screws (F) using a screwdriver (not supplied) as shown below.



Assembly is complete



ENGLISH

Care Instructions:

- Dust often using a clean, soft, dry and lint-free cloth.
- Blot spills immediately and wipe with a clean, damp, cloth.
- We do not recommend the use of chemical cleansers, abrasives or furniture polish on our lacquered finish.
- Hardware may loosen over time. Periodically check to make sure all connections are tight.
Re-tighten if necessary.

Thank you for your purchase.
stores | catalog | www.potterybarnkids.com
USA 1.800.290.8181

Nous vous remercions de votre achat.
magasins | catalogue | www.potterybarnkids.com
É.-U. 1.800.290.8181