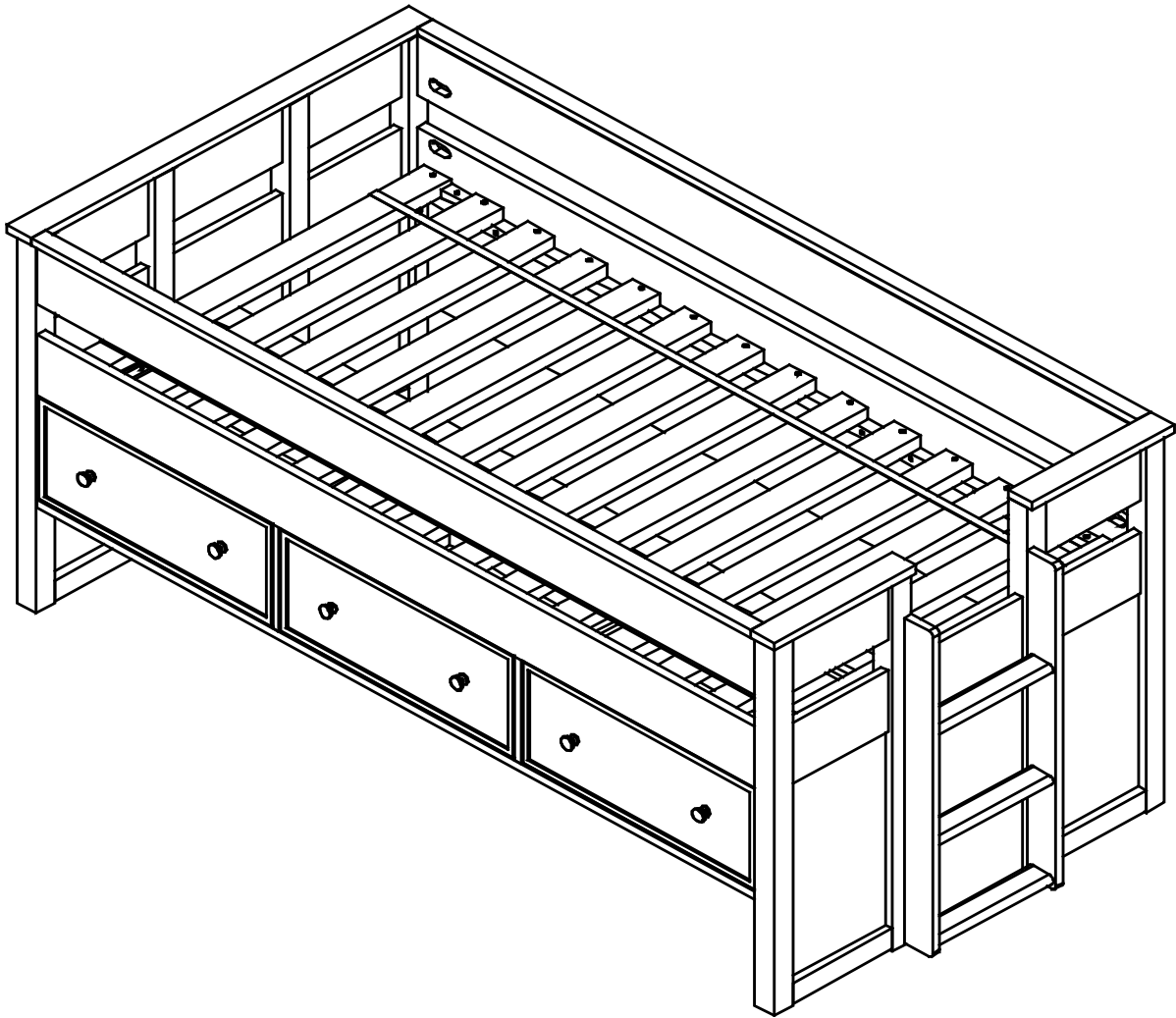


pottery barn kids



Elliott Twin Captain Bed

www.potterybarnkids.com

Important Safety Instructions:

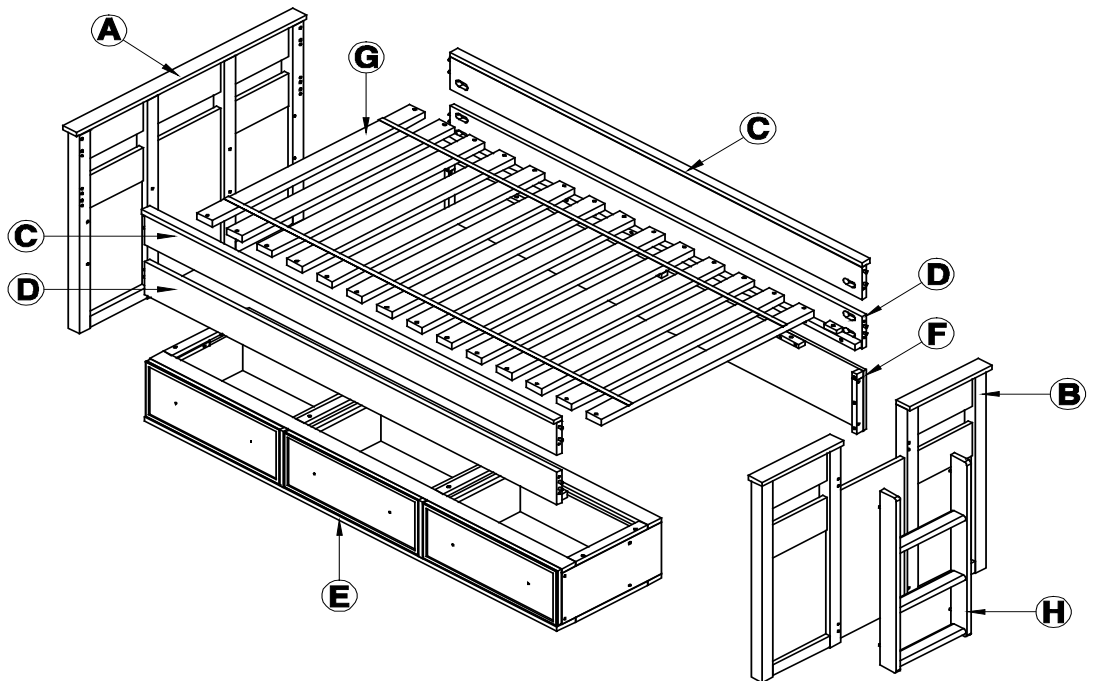
- Please read all instructions carefully before assembling.
- For your safety, assembly by two or more adults is strongly recommended.
- Keep instructions for future use.
- Use only vendor supplied hardware to assemble. Using unauthorized hardware could jeopardize the structural integrity of the item.

Pre-assembly:



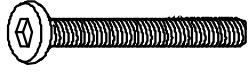





- Remove all parts and hardware from the box and lay out on a clear carpeted or scratch-free work surface, as this will avoid damaging parts during assembly. The shipping box provides an ideal work surface.
- Do not dispose of any packaging or contents of the shipping carton until assembly is completed to avoid accidentally discarding small parts or hardware.
- Use the parts and hardware lists below to identify and separate each of the pieces included.
- The illustrations provided allow for easier assembly when used in conjunction with the assembly instructions.
- The use of power tools to aid in assembly is not recommended. Power tools can damage hardware and split wood.
- Note: Do not fully tighten all bolts until all parts are in place. Failure to follow these instructions may cause the bolts to misalign during assembly.


Parts Included:

- (A) Headboard (1x)
- (B) Footboard (1x)
- (C) Guardrail (2x)
- (D) Side Rail (2x)
- (E) Storage Unit (1x)
- (F) Back Panel (1x)
- (G) Slat Roll (1x)
- (H) Ladder (1x)



Hardware Included:

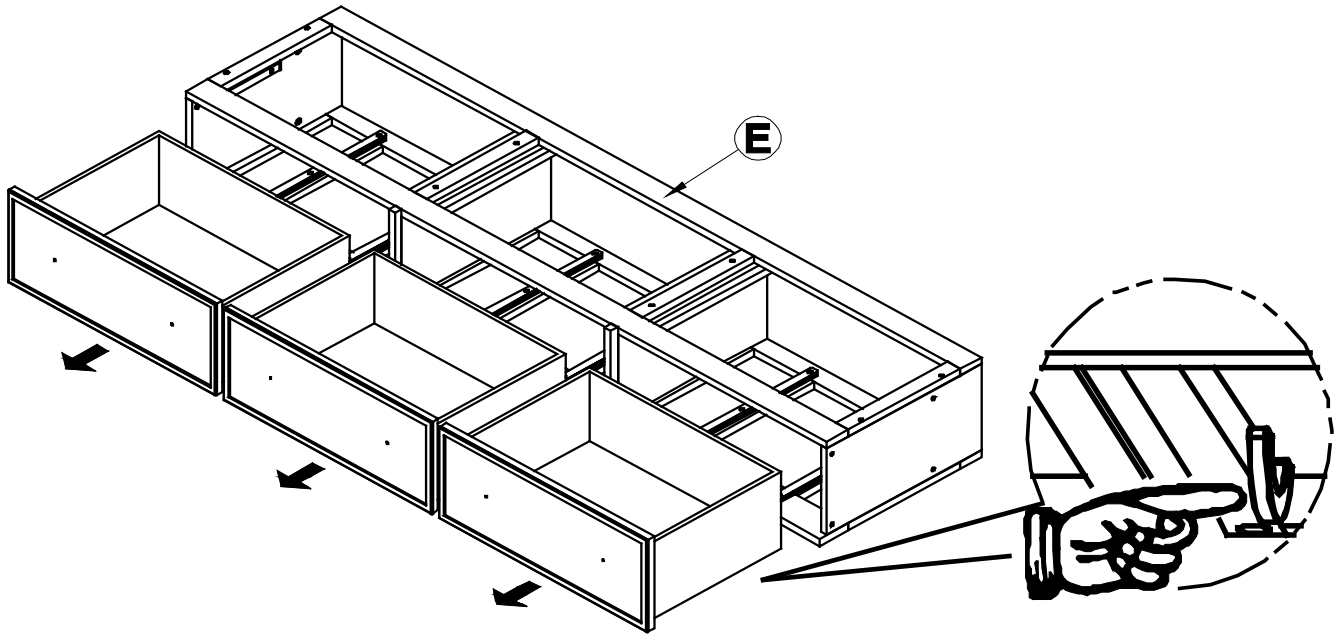
 (I) Allen Key – 1x	 (J) Bolt M6x60mm – 4x	 (K) Bolt M6x55mm – 12x
 (L) Bolt M6 x 30mm – 15x	 (M) Spring Washer – 31x	 (N) Flat Washer – 31x
 (O) Half-Moon Metal Block– 12x	 (P) Wood Screw 4x30mm – 28x	

Tools Required: Philips Screwdriver  (Not included)

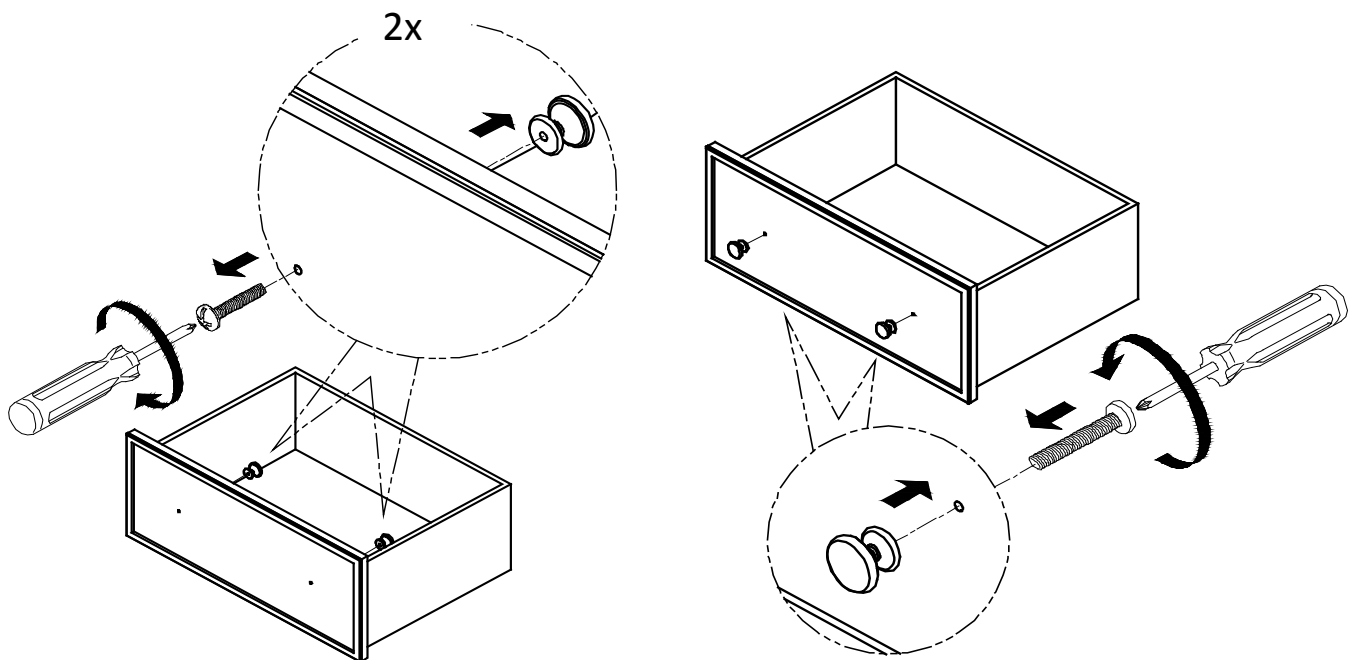
Assembly Instruction Steps:

1. Remove the 3 drawers and set aside as shown below.

- Open the Drawers to its maximum opening
- Each drawer is equipped with 2 rubber stopper that prevents the drawer from being removed during normal operation
- During assembly, the drawer can be removed with minor force as the rubber stoppers will bend to allow the drawer to be removed
- When removing the drawer, it MUST be removed at a straight angle.

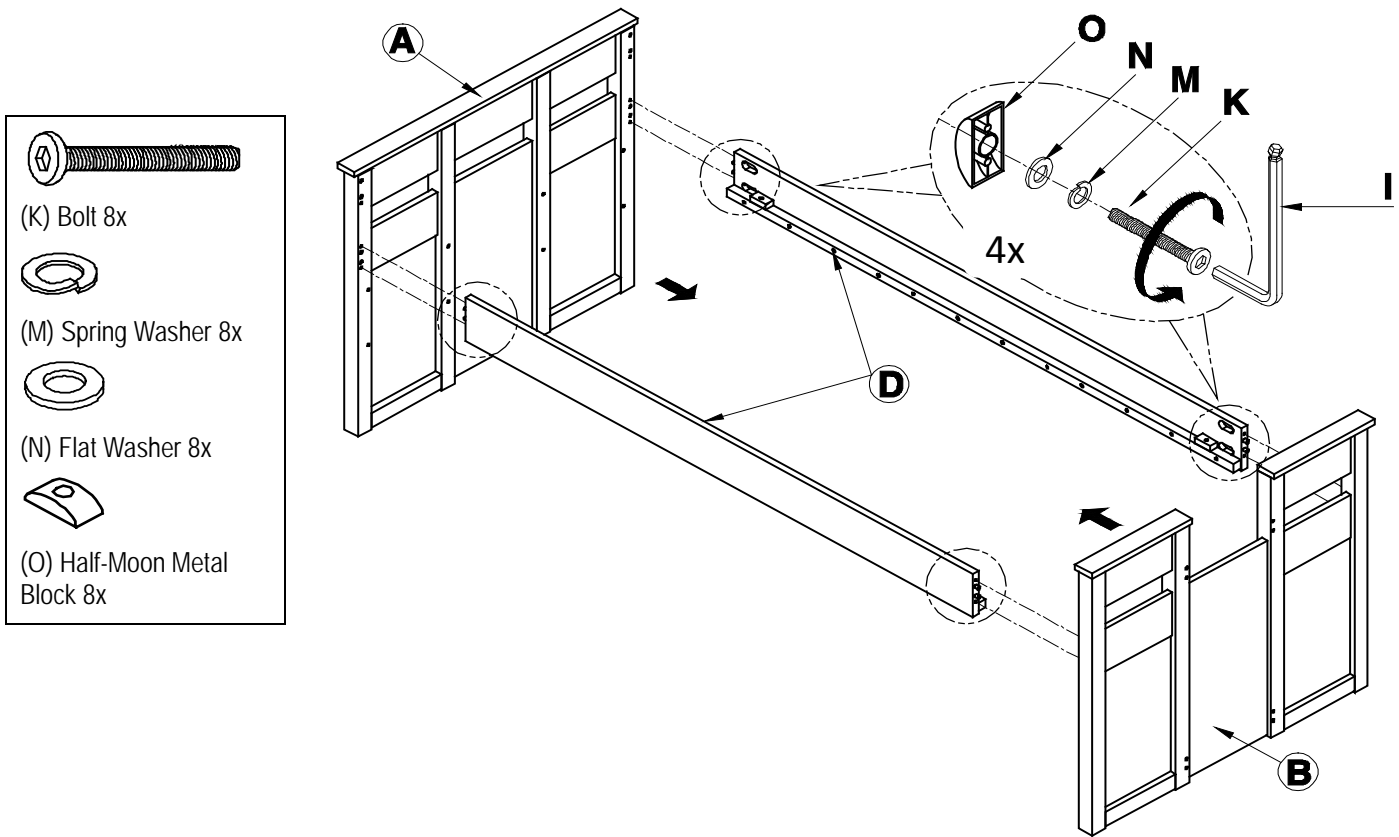






2. Detach the knob that is pre-installed inside the drawer box and attach it to the drawer front using the original machine screws as shown below.



3. Assemble (A) and (B) to (D) by aligning pre-drill holes with wooden dowels as shown below.

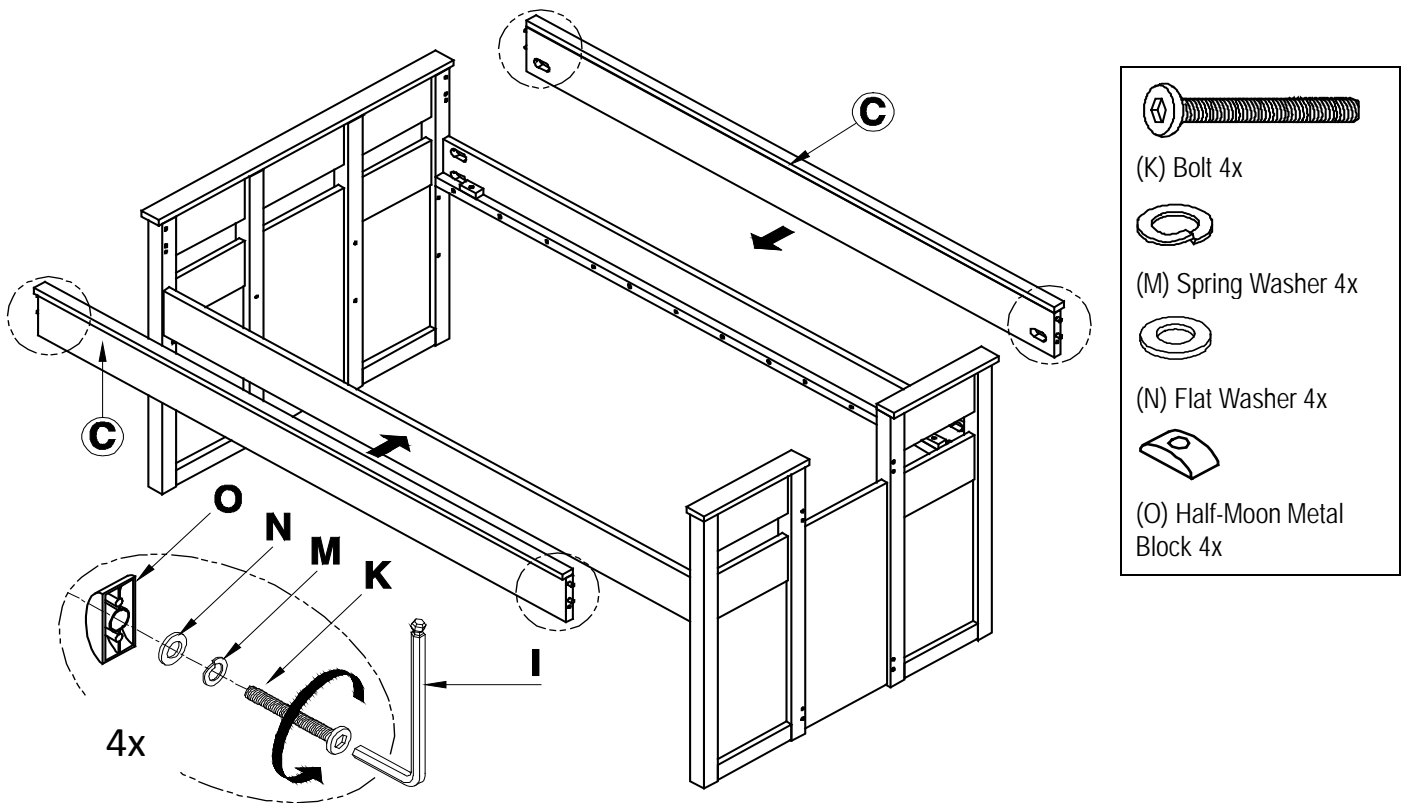
***Note: Do not fully tighten bolts (K) at this time to leave flexibility.**

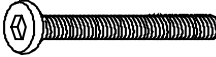





-  (K) Bolt 8x
-  (M) Spring Washer 8x
-  (N) Flat Washer 8x
-  (O) Half-Moon Metal Block 8x

4. Attach (C) to (A) and (B) by aligning pre-drill holes with wooden dowels as shown below.

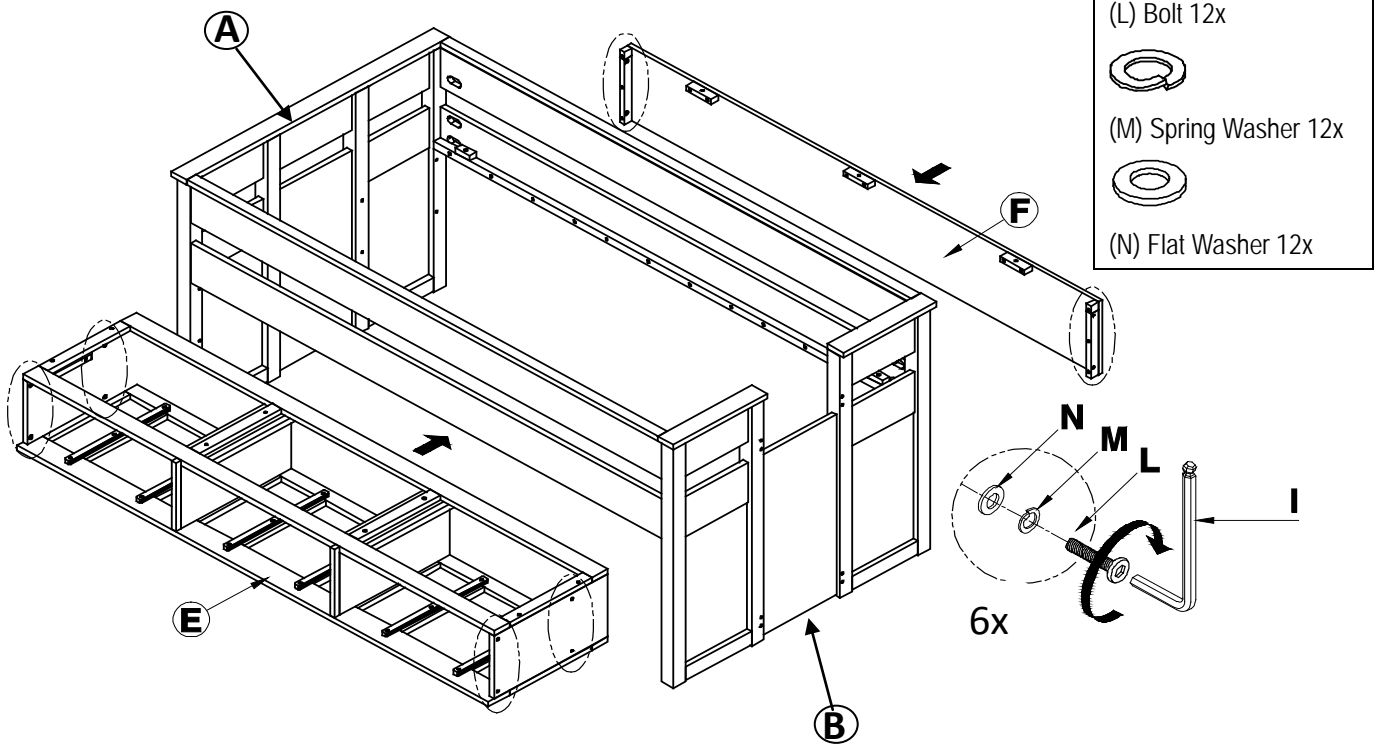
***Note: Do not fully tighten bolts (K) at this time to leave flexibility.**



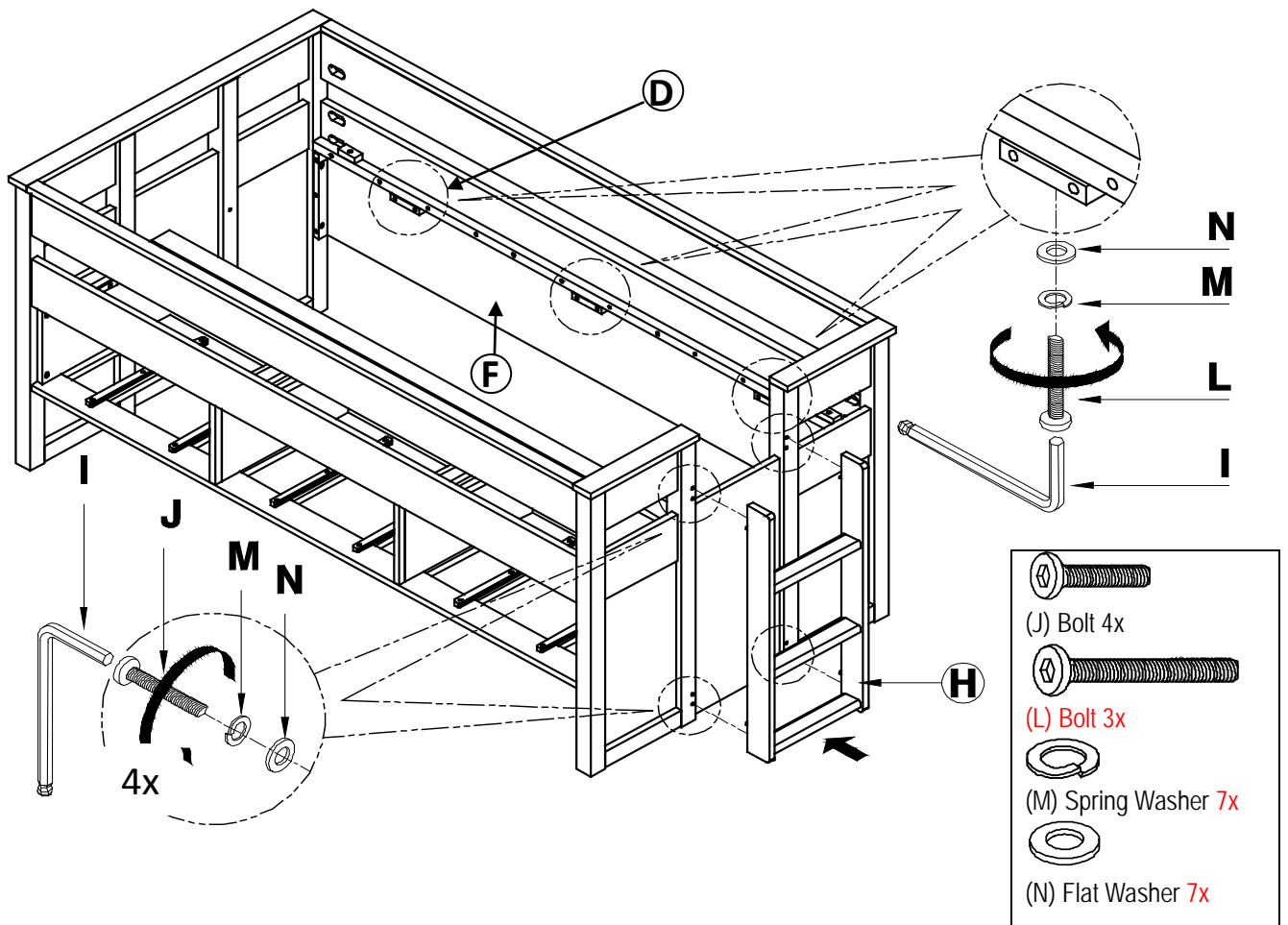
-  (K) Bolt 4x
-  (M) Spring Washer 4x
-  (N) Flat Washer 4x
-  (O) Half-Moon Metal Block 4x

5. Attach (E) and (F) to (A) and (B) as shown below.

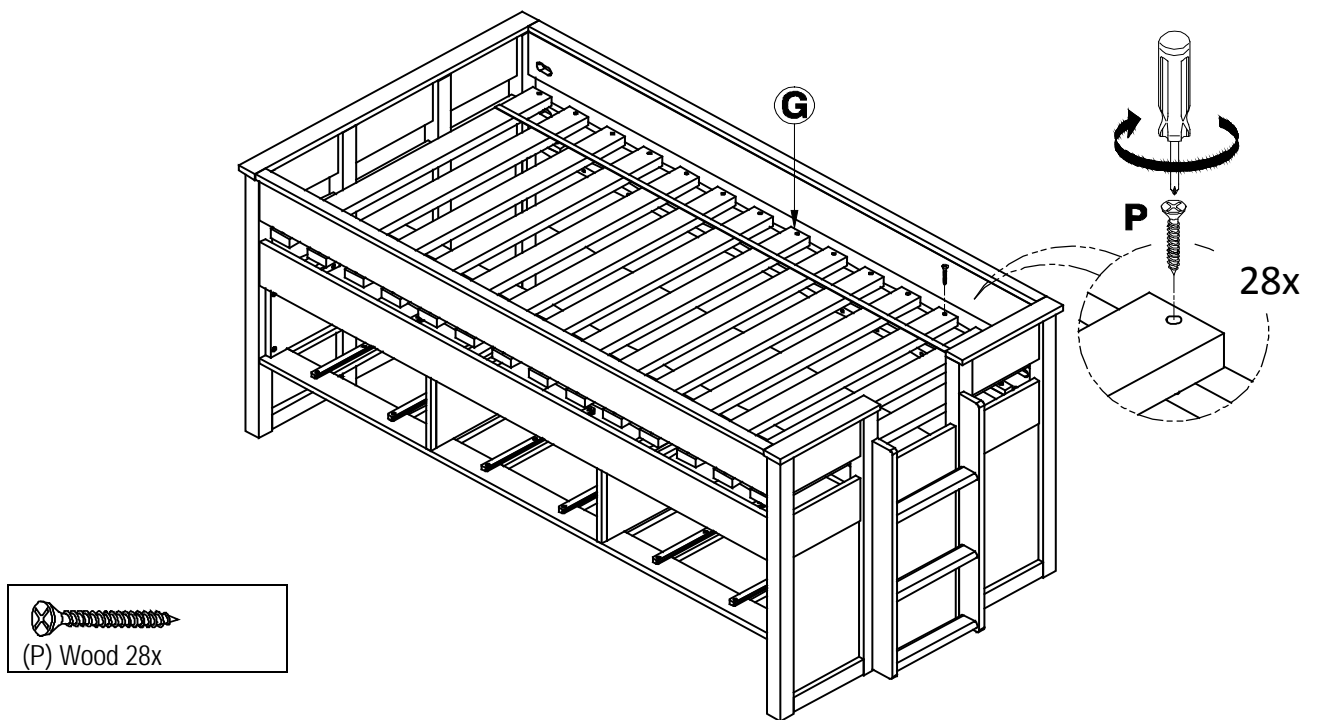
***Note: Do not fully tighten bolts before BOTH (E) and (F) are assembled. Check alignments before tightening.**



6. **Insert (L), (M) and (N) to connect (D) & (F).** Attach (H) to footboard as shown below.



7. Assemble (G) to bedframe as shown below.



8. Put the 3 drawers back.

- Insert the drawer by aligning the female runner and male runner as shown below.(See Fig. A)
 - Bend the plastic stopper a bit before push drawer all the way in (See Fig.B)
- *Note: It will require some force to get the drawer back into the Pedestal.**

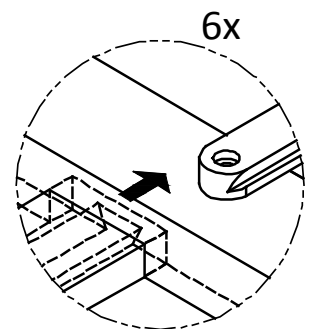
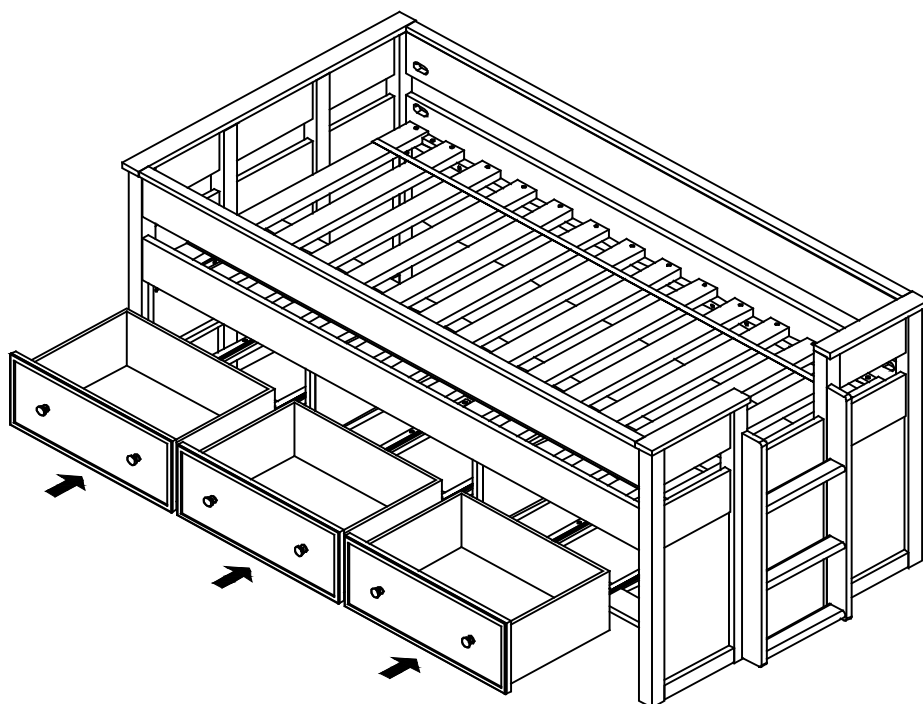


Fig. A

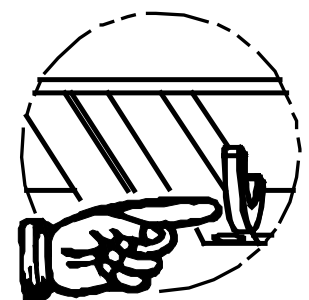
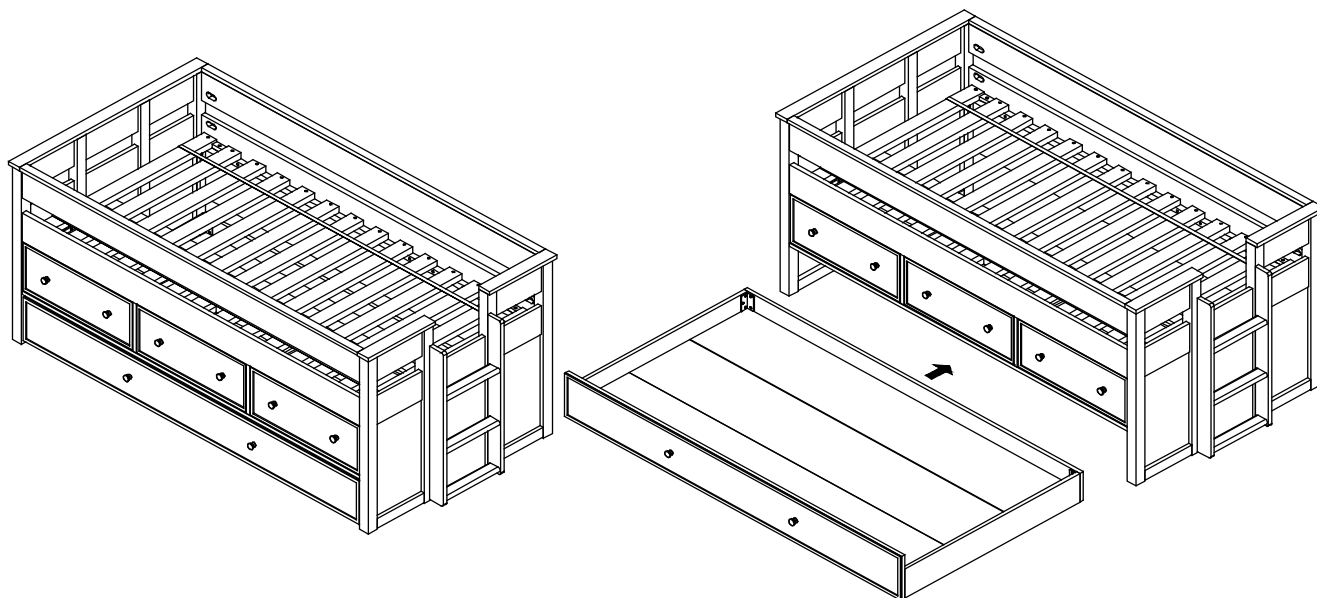


Fig. B

9. Place the assembled trundle (assembly following A1 and hardware shipped with the trundle) under the storage bed.



Care Instructions:

- Dust often using a clean, soft, dry and lint-free cloth.
- Blot spills immediately and wipe with a clean, damp, cloth.
- We do not recommend the use of chemical cleansers, abrasives or furniture polish on our lacquered finish.
- Hardware may loosen over time. Periodically check to make sure all connections are tight.
Re-tighten if necessary.

Thank you for your purchase
Stores | catalog | www.potterybarnkids.com
USA 1.800.290.8181