

pottery barn kids

EMERSON CRIB





WARNING

- Do not use this crib if you cannot exactly follow the accompanying instructions.
- Do not use this crib for a child who can climb out of it or who is taller than 89 cm.
- Do not place in or near this crib any cord, strap or similar item that could become wrapped around a child's neck.
- Do not place this crib near a window or a patio door where a child could reach the cord of a blind or curtain and be strangled.
- Ensure that the crib is safe by checking regularly that every part is properly and securely in place before placing the child in it. Do not use it if any parts are loose or missing or if there are any signs of damage. Do not substitute parts. Contact the Pottery Barn Kids if replacement parts or additional instructions are needed.
- Use a crib mattress that is no thicker than 15 cm and is of such a size that, when it is pushed firmly against any side of the crib, it does not leave a gap of more than 3 cm between the mattress and any part of the sides of the crib.
- Children can suffocate on soft bedding. Do not place pillows, comforters or soft mattresses in this crib.

04-000052-8




WARNING: Failure to follow these warnings and assembly instructions could result in serious injury or death.

- Read all instructions before assembling crib. **KEEP INSTRUCTIONS FOR FUTURE USE.**
- Never use plastic shipping bags or other plastic film as mattress covers because they can cause suffocation.
- Infants can suffocate in gaps between the crib sides and a mattress that is too small. Never place additional padding under an infant.
- To reduce the risk of SIDS, pediatricians recommend healthy infants be placed on their backs to sleep, unless otherwise advised by your physician.
- **STRANGULATION HAZARD:** Strings can cause strangulation! Do not place items with a string around a child's neck, such as hood strings or pacifier cords. Do not suspend strings over a crib or attach strings to toys.
- To help prevent strangulation tighten all fasteners. A child can trap parts of the body or clothing on loose fasteners.
- **DO NOT** place crib near window where cords from blinds or drapes may strangle a child.
- **FALL HAZARD:** When child is able to pull to a standing position, set mattress to lowest position and remove bumper pads, large toys and other objects that could serve as steps for climbing out.
- Stop using crib when child begins to climb out or reaches the height of 35 in. (89cm)
- Check this product for damaged hardware, loose joints, loose bolts or other fasteners, missing parts or sharp edges before and after assembly and frequently during use. Securely tighten loose bolts and other fasteners. **DO NOT** use crib if any parts are missing, damaged or broken. Contact Pottery Barn Kids for replacement parts and instructional literature if needed. **DO NOT** substitute parts.
- **DO NOT** use a water mattress with this crib.
- Replace teething rail if damaged, cracked, or loose. **NOTE:** This is only for cribs with teething rails.

- If refinishing, use a non-toxic finish specified for children's products.
- Do not remove the metal brackets from the mattress base after installation. NOTE: This is only for cribs supplied with a wooden mattress base.
- Follow warnings on all products in a crib.

04-000056-7

 **CAUTION: ANY MATTRESS USED IN THIS CRIB MUST BE AT LEAST 27 ¼" (69 CENTIMETERS) BY 51 5/8" (131 CENTIMETERS) WITH A THICKNESS NOT EXCEEDING 6" (15 CENTIMETERS)**

THIS CRIB CONFORMS TO APPLICABLE REGULATIONS PROMULGATED BY THE CONSUMER PRODUCT SAFETY COMMISSION.

04-000094-3

IMPORTANT SAFETY INSTRUCTIONS:

- Please read all instructions carefully before assembling.
- For your safety, assembly by two or more adults is recommended.
- Keep instructions for future use.
- Use only vendor supplied hardware to assemble. Using unauthorized hardware could jeopardize the structural integrity of the item.
- Do not remove warning labels from the cribs. Labels are permanent and not designed to be removed

PRE-ASSEMBLY:

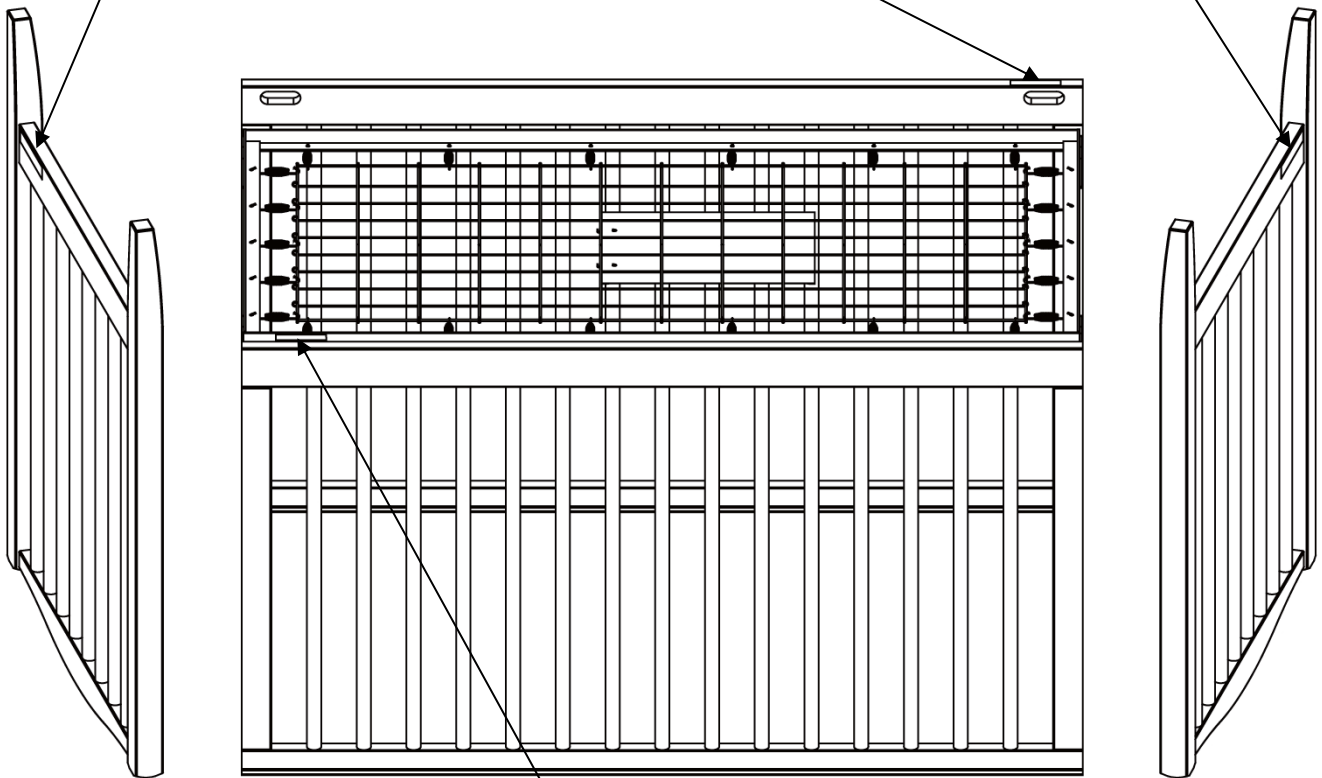
- Remove all parts and hardware from the box and lay out on a clear carpeted or scratch-free work surface, as this will avoid damaging parts during assembly. The shipping box provides an ideal work surface.
- Do not dispose of any packaging or contents of the shipping carton until assembly is completed to avoid accidentally discarding small parts or hardware.
- Use the parts and hardware lists below to identify and separate each of the pieces included.
- The illustrations provided allow for easier assembly when used in conjunction with the assembly instructions.
- The use of power tools to aid in assembly is not recommended. Power tools can damage hardware and split wood.

Product labeling for Crib configuration with slatted crib ends. Crib is depicted upside down.

04-000141-1
Warning Label
Étiquette de Mise en Garde

04-000141-1
Warning Label
Étiquette de Mise en Garde

THIS SIDE DOWN / CE CÔTÉ VERS LE BAS
THIS SIDE IN ↓ CE CÔTÉ VERS L'INTÉRIEUR



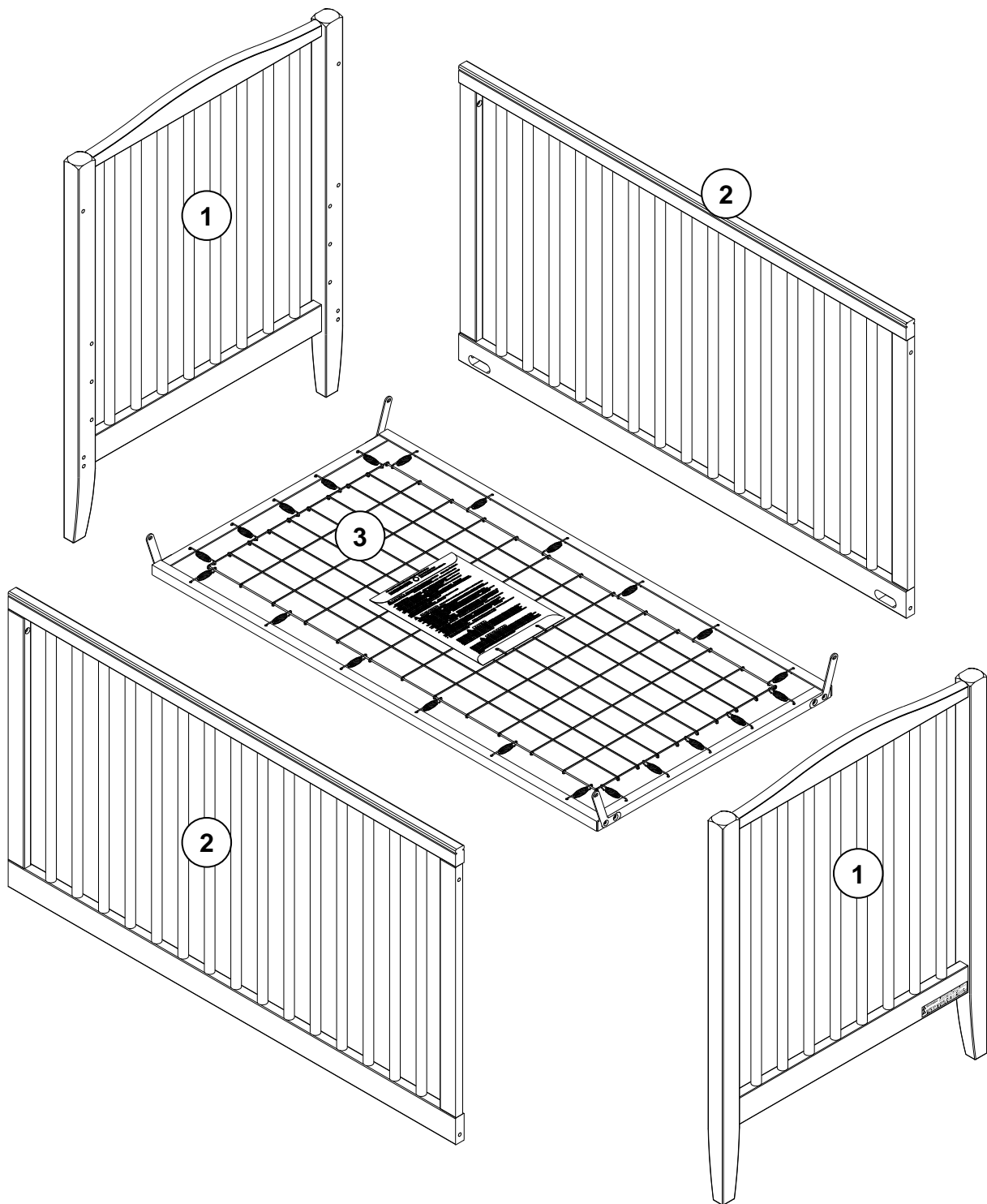
THIS SIDE DOWN / CE CÔTÉ VERS LE BAS
THIS SIDE IN ↑ CE CÔTÉ VERS L'INTÉRIEUR

PARTS INCLUDED:

PART 1)- CRIB END (2x)

PART 2)- CRIB SIDE (2x)

PART 3)- MATTRESS BASE (1x)

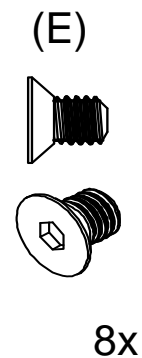
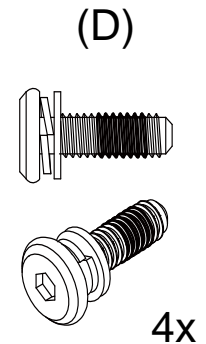
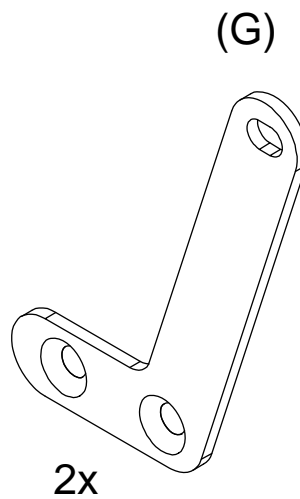
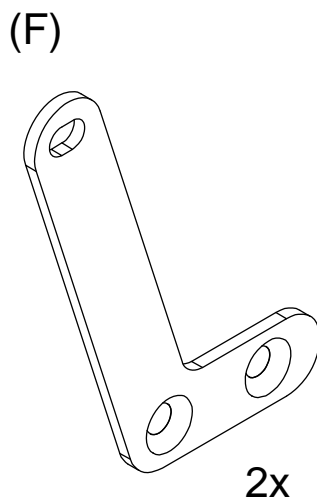
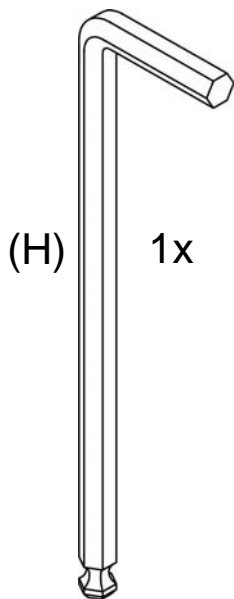
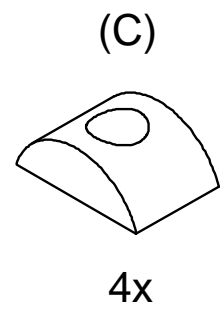
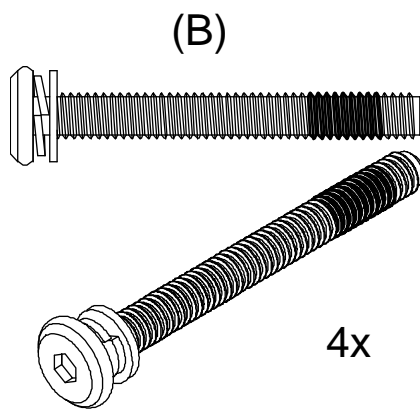
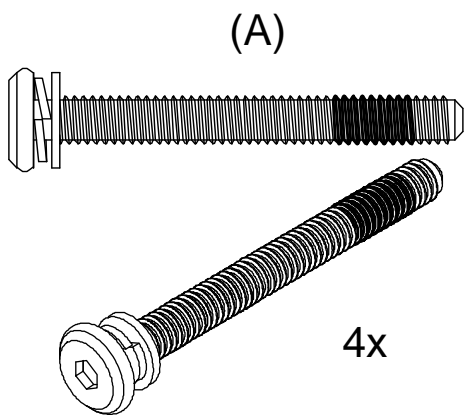


HARDWARE INCLUDED:

- A- Bolt- M6 x 60mm (4x)
- B- Bolt- M6 x 55mm (4x)
- C- Half Moon Washer (4x)
- D- Bolt- M6 x 20mm (4x)
- E- Short Allen Bolt M6x10mm (8x)
- F- Left Crib Bracket (2x)
- G- Right Crib Bracket (2x)

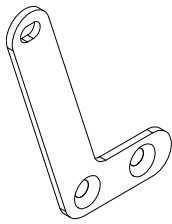
TOOLS REQUIRED

- H- Allen Key- 4mm (1x)

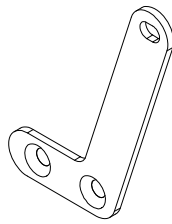


ASSEMBLY INSTRUCTION STEPS:

1. Attach Left/Right Crib Brackets (F&G) to the crib Mattress Base (PART 3) using Short Allen Bolts (E-8pcs). Make sure the crib brackets point outwards. Tighten using Allen Key (H).
Note: Do not remove the metal crib brackets (F&G) from the mattress base upon installation.



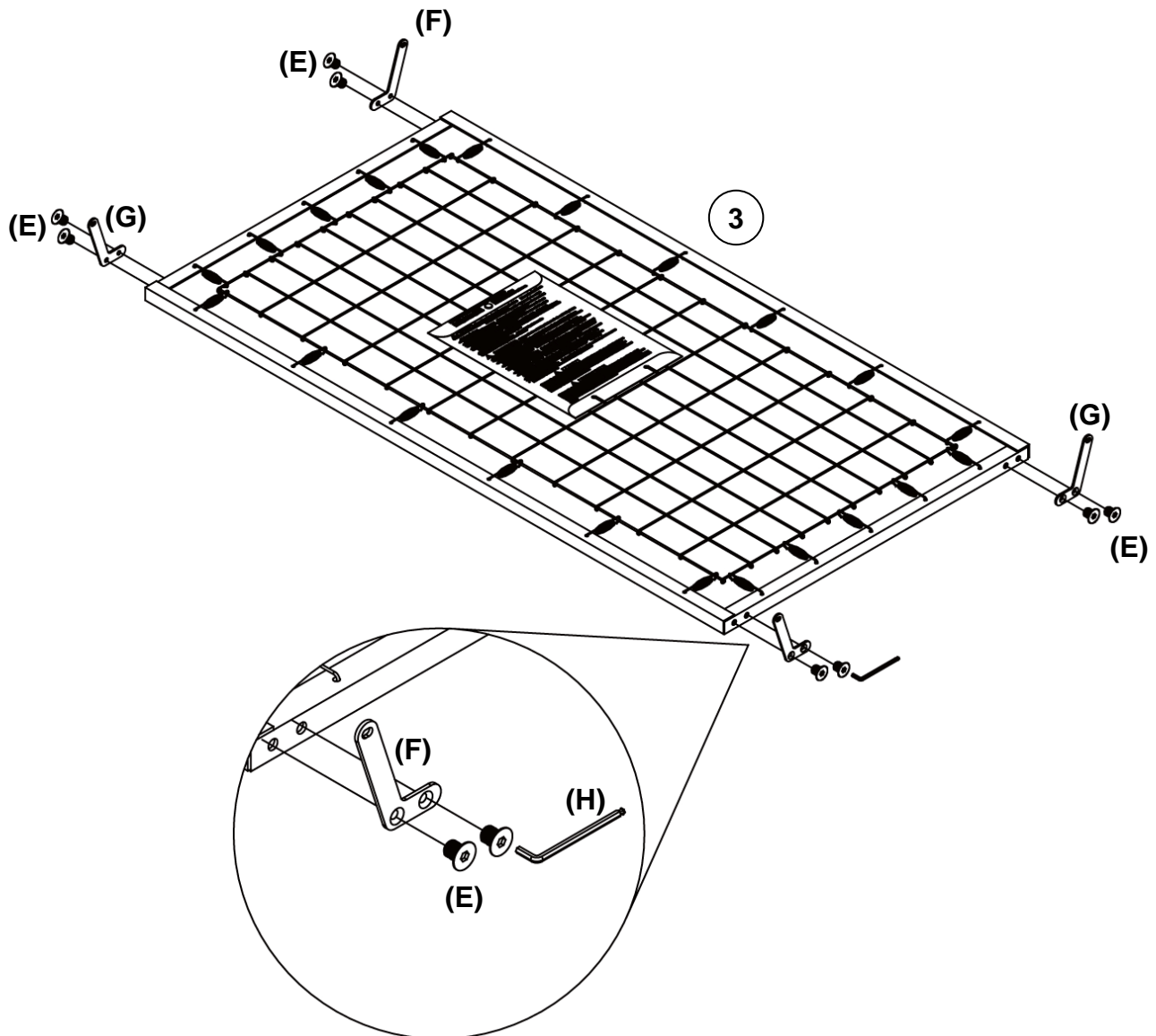
(F) Left Crib Bracket 2x



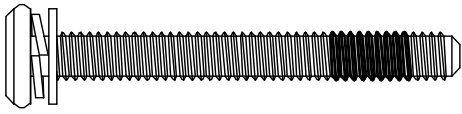
(G) Right Crib Bracket 2x



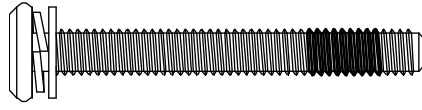
(E) Short Allen Bolt 8x



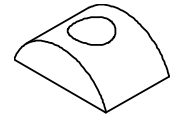
2. Assemble the Crib Side (PART 2) to the Crib Ends (PART 1) using Bolts (A), Bolts (B) and Half Moon Washers (C) as shown, tighten with Allen Key (H). Do not fully tighten bolts (A&B) at this point to make installation of the Mattress Base and the remaining Crib Side easier.



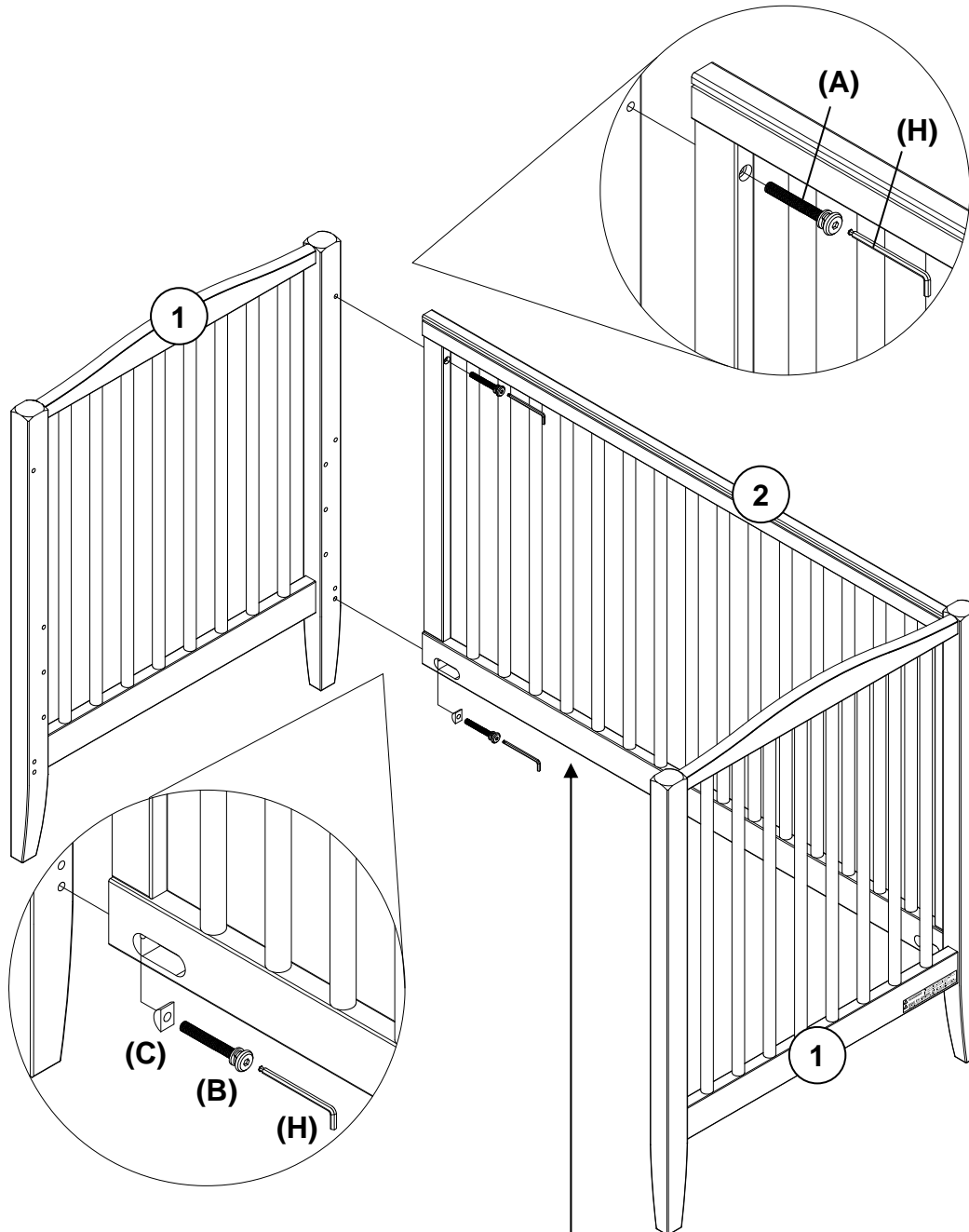
(A) Bolt- M6 x 60mm 2x



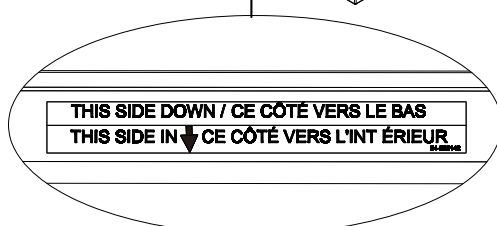
(B) Bolt- M6 x 55mm 2x



(C) Half Moon Washer 2x



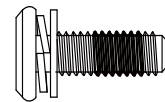
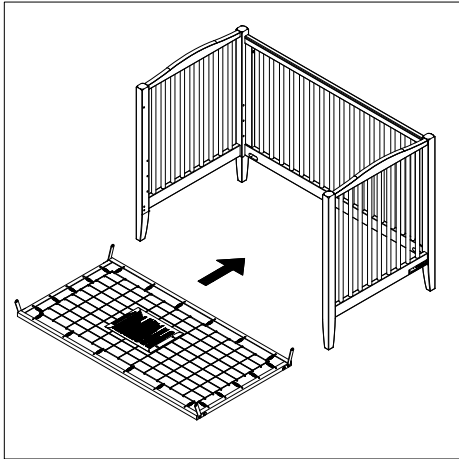
Arrow sticker side down.
Arrow points inside



3. **Determine the desired height of the mattress base. Using two adults carefully place mattress base into the crib taking care not to scratch the finish.**

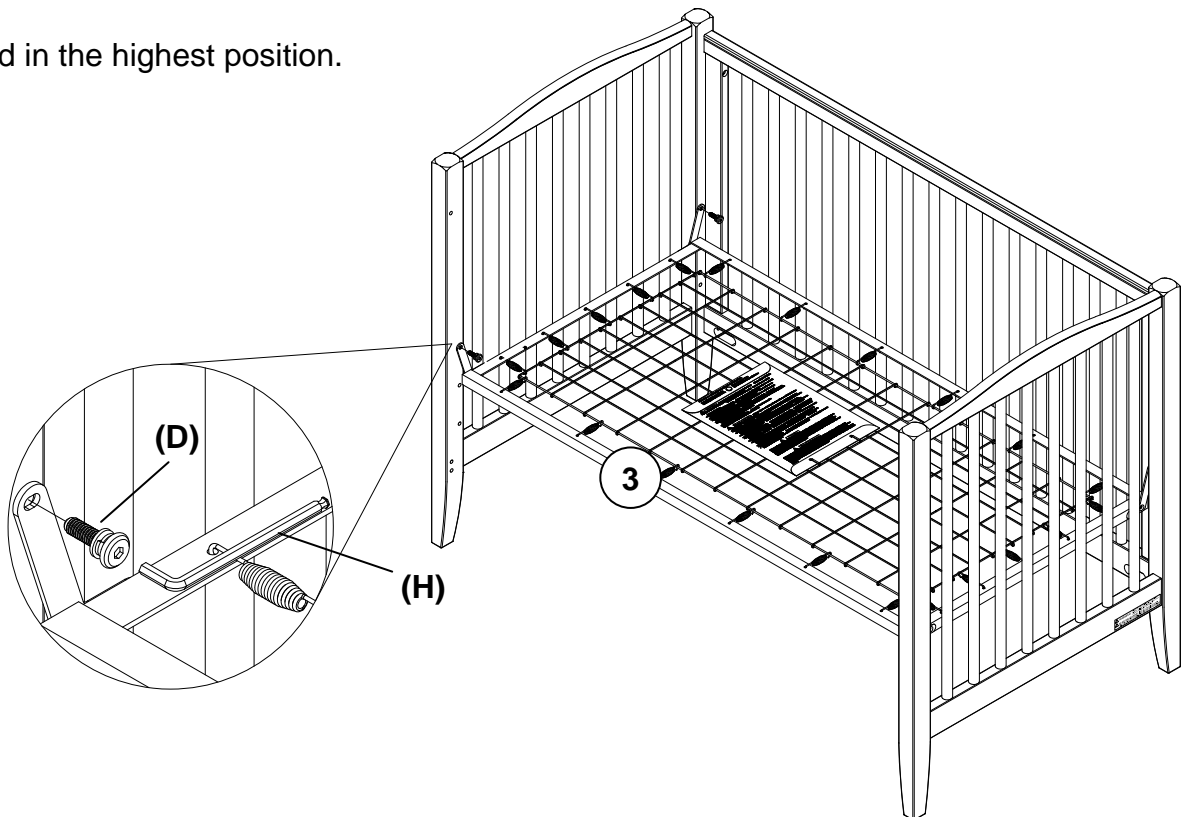
Note: The mattress base may be at the highest level when the child is born. It must be at the lowest level before the child can stand up. Before installing the mattress base, please ask the customer at which height they want it installed (Illustration showing Mattress base install in the lowest position).

Attach the Mattress Base (PART 3) to Crib Ends (PART 1) using the Bolts (D) and the Allen Key (H). Do not fully tighten Bolts (D) at this point to make installation of the remaining Crib Side easier.



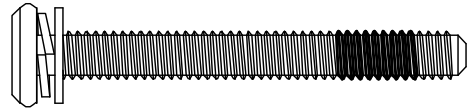
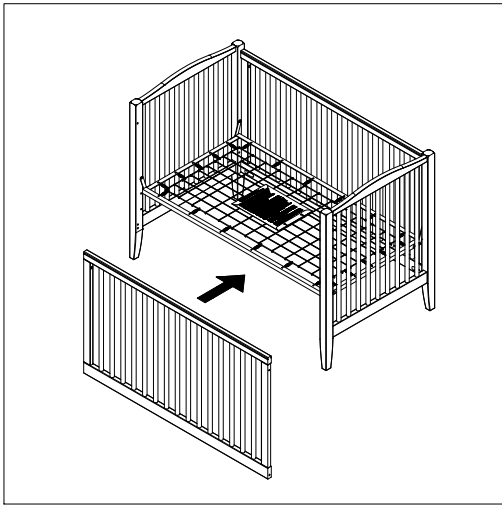
(D) Bolt- M6 x 20mm 4x

Installed in the highest position.

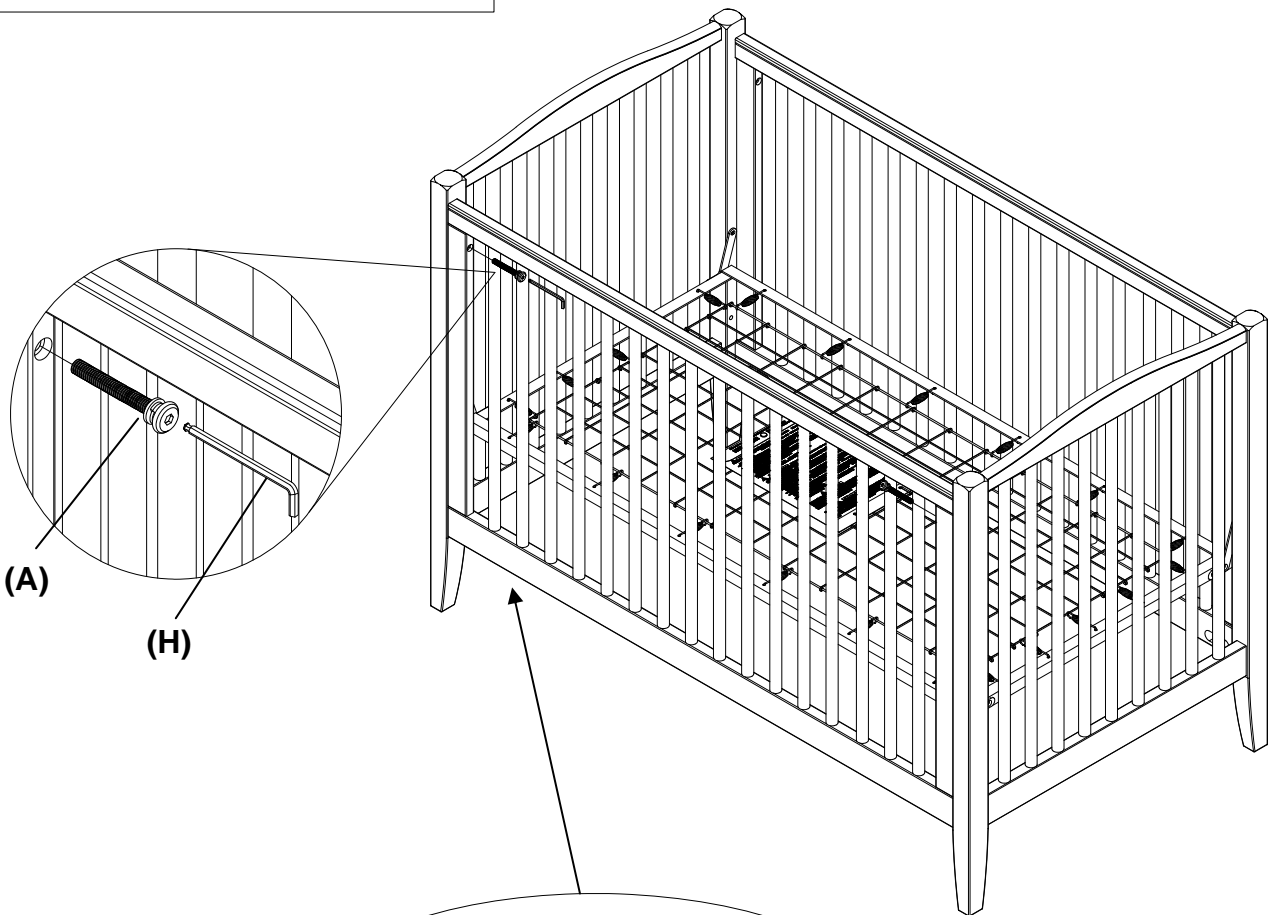


To change the position of the Mattress Base, unscrew Bolts (D), line up the Mattress Base with the holes at the desired height and re-attach the Mattress Base using the same bolts.

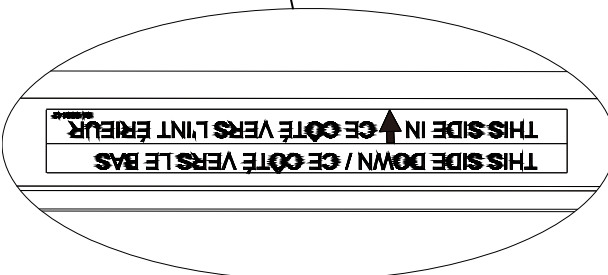
4. Attach the remaining Crib Side (PART 2) to Crib Ends (PART 1) using Bolts (A) with Allen Key (H).



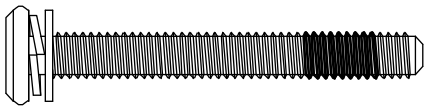
(A) Bolt- M6 x 60mm 2x



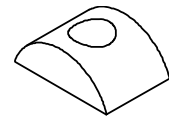
Arrow sticker side down.
Arrow points inside



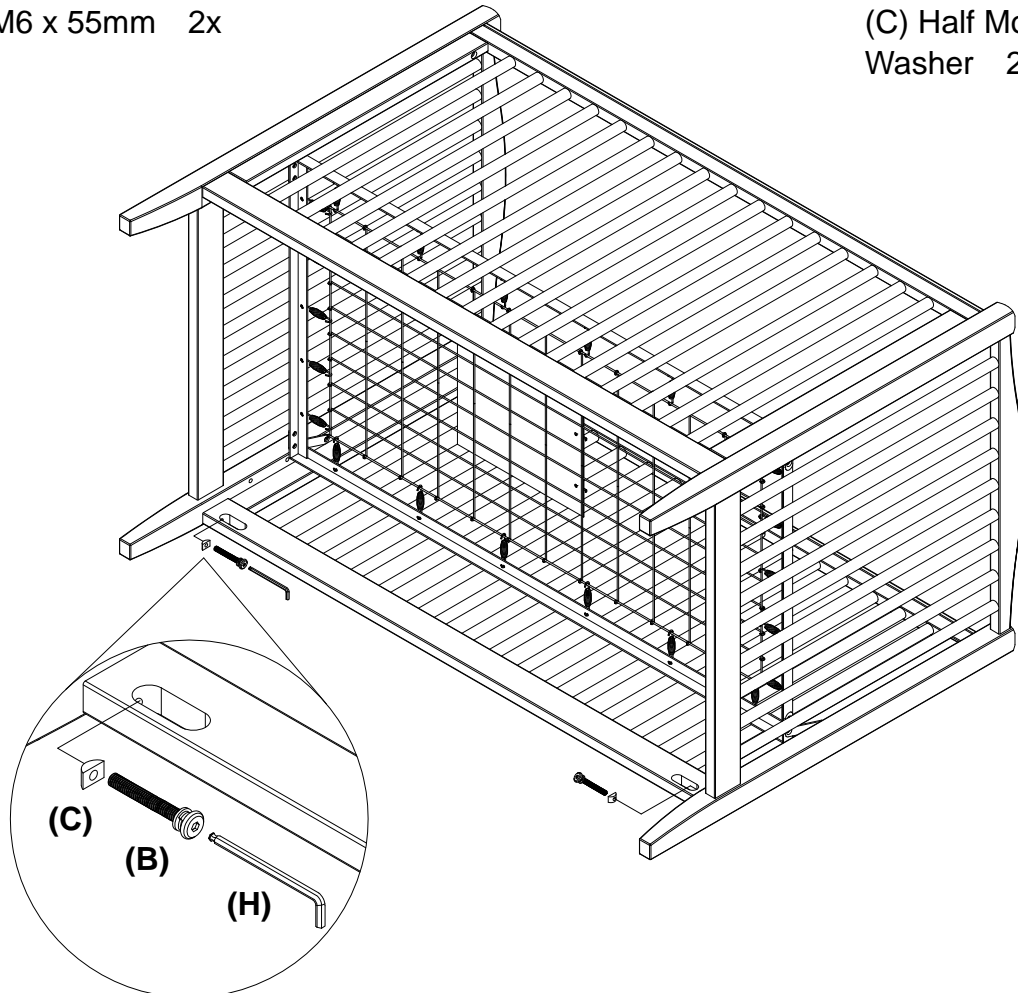
5. Carefully turn the crib lying down on its side (the final installed Crib Side facing down). Insert the Bolts (B) thru Half Moon Washers (C) into cavity as shown, and align the bolts with the holes on Crib Side, **tighten all connections with Allen Key (H).**



(B) Bolt- M6 x 55mm 2x



(C) Half Moon Washer 2x



6. Gently turn the crib upright. Assembly is now complete. Place the assembly instructions back into the envelope mounted on the mattress base for future reference.

CARE INSTRUCTIONS:

- Dust often using a clean, soft, dry and lint-free cloth.
- Blot spills immediately and wipe with a clean, damp, cloth.
- We do not recommend the use of chemical cleansers, abrasives or furniture polish on our lacquered finish.
- If the crib is to be stored, store in cool dry place and carefully package all original hardware to protect from loss or damage.
- Check fasteners periodically for tightness. Re-tighten if necessary. **DO NOT over tighten.** This may cause distortion or breakage
- Parents should ensure a safe environment for the child by checking regularly, before placing the child in the product, that every component is properly and securely in place.

Thank you for your purchase

stores | catalog | www.potterybarnkids.com

U.S.A 1.800.290.8181