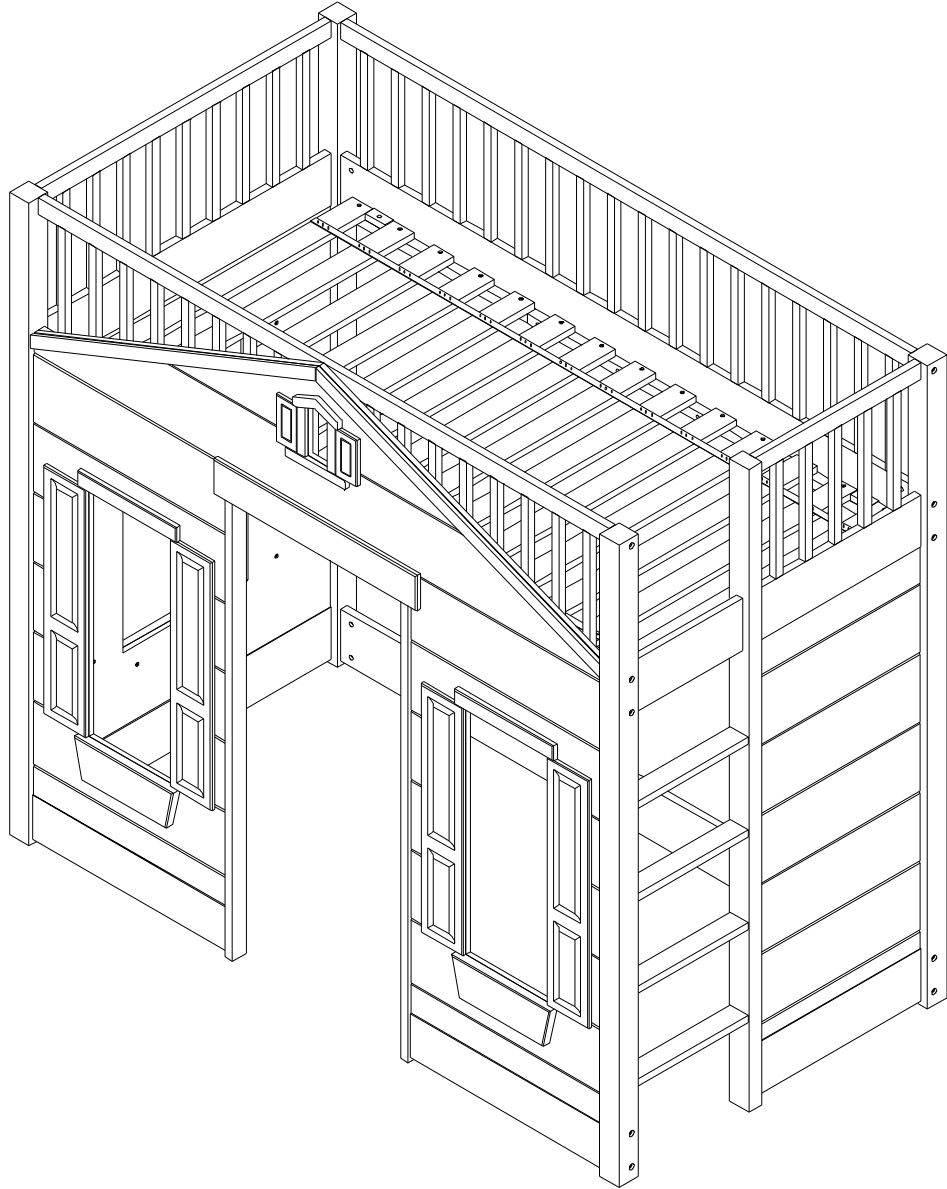


pottery barn kids



PLAYHOUSE LOFT BED

www.potterybarnkids.com



WARNING: Failure to follow these warnings and assembly instructions could result in serious injury or death. To help prevent serious or fatal injuries from entrapment or falls:

- Read all instructions before assembling bunk bed.
- Before each usage or assembly, inspect bunk bed for damaged hardware, loose joints, missing parts or sharp edges. DO NOT use bunk bed if any parts are missing or broken.
- DO NOT use substitute parts. Contact Pottery Barn Kids for replacement parts and instructional literature if needed.
- Follow the information on the warnings appearing on the upper bunk end structure and on the carton. DO NOT REMOVE WARNING LABEL FROM BED.
- Always use the recommended size mattress or mattress support, or both, to help prevent the likelihood of entrapment or falls.
- Ensure thickness of mattress does not exceed 9 inches and the surface of mattress must be at least 5 inches (127 mm) below the upper edge of guardrails.
- Use only mattress which is 74"-75" long and 37.5"-38.5" wide on upper bunk.
- Do not allow children under 6 years of age to use the upper bunk.
- Periodically check and ensure that the guardrail, ladder, and other components are in their proper position, free from damage, and that all connectors are tight.
- Do not allow horseplay on or under the bed and prohibit jumping on the bed.
- Prohibit more than one person on the upper bunk.
- Always use the ladder for entering and leaving the upper bunk.
- Use of a night light may provide added safety precaution for a child using the upper bunk.
- Always use guardrails on both long sides of the upper bunk. If the bunk bed will be placed next to the wall, the guardrail that runs the full length of the bed should be placed against the wall to prevent entrapment between the bed and wall.
- The use of water or sleep flotation mattresses is prohibited.
- If refinishing, use a non-toxic finish specified for children's products.

STRANGULATION HAZARD – Never attach or hang items to any part of the bunk bed that are not designed for use with the bed; for example, but not limited to, hooks, belts and jump ropes.

KEEP THESE INSTRUCTIONS FOR FUTURE REFERENCE.

04-000044-5 (PBK)

IMPORTANT SAFETY INSTRUCTIONS:

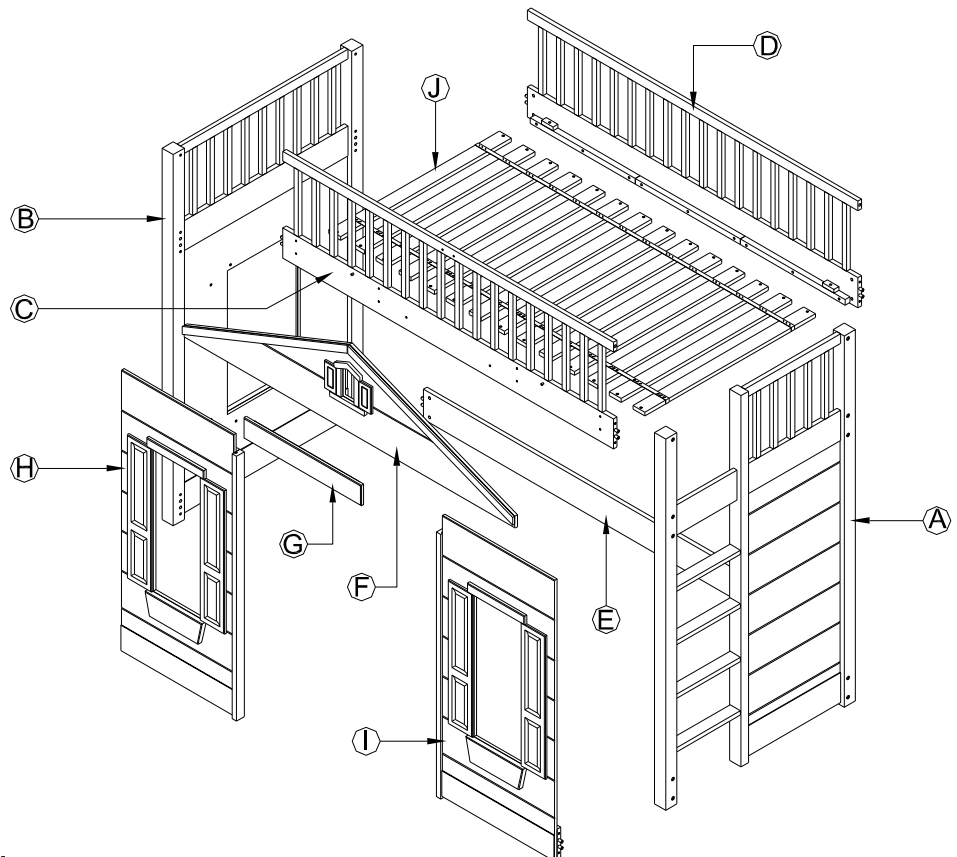
- Please read all instructions carefully before assembling.
- For your safety, assembly by two or more adults is strongly recommended.
- Keep instructions for future use.
- Use only vendor supplied hardware to assemble. Using unauthorized hardware could jeopardize the structural integrity of the item.

PRE-ASSEMBLY:

- Remove all parts and hardware from the box and lay out on a clear carpeted or scratch-free work surface, as this will avoid damaging parts during assembly. The shipping box provides an ideal work surface.
- Do not dispose of any packaging or contents of the shipping carton until assembly is completed to avoid accidentally discarding small parts or hardware.
- Use the parts and hardware lists below to identify and separate each of the pieces included.
- The illustrations provided allow for easier assembly when used in conjunction with the assembly instructions.
- The use of power tools to aid in assembly is not recommended. Power tools can damage hardware and split wood.
- DO NOT fully tighten all bolts until all parts are in place. Failure to follow these instruction may cause the bolts misalign during assembly.

PARTS INCLUDED:

- A - Headboard – 1x
- B - Footboard – 1x
- C - Front Guardrail – 1x
- D - Back Guardrail – 1x
- E - Bottom Rail – 1x
- F- Roof – 1x
- G - Middle Panel- 1x
- H - Left panel – 1x
- I - Right panel – 1x
- J - Slat Roll – 1 set

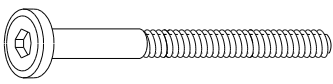


TOOLS REQUIRED (Not included):

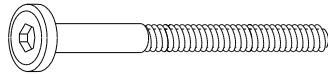
Philips Head Screwdriver



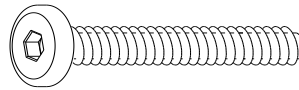
(K) Allen Bolts
5/16" x 110mm - 16x



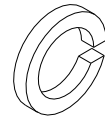
(L) Allen Bolts
5/16" x 76mm - 4x



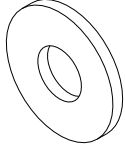
(M) Allen Bolts
1/4" x 25mm - 12x



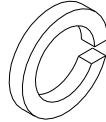
(N) Spring washer
5/16" - 20x



(O) Flat washer
5/16" - 20x



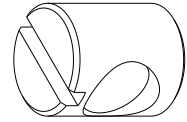
(P) Spring washer
1/4" - 12x



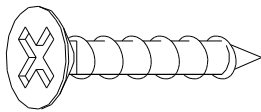
(Q) Flat washer
1/4" - 12x



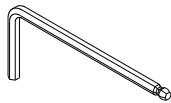
(R) Barrel Nuts
5/16" x 15x12mm - 16x



(S) Screw 8x30mm - 28x



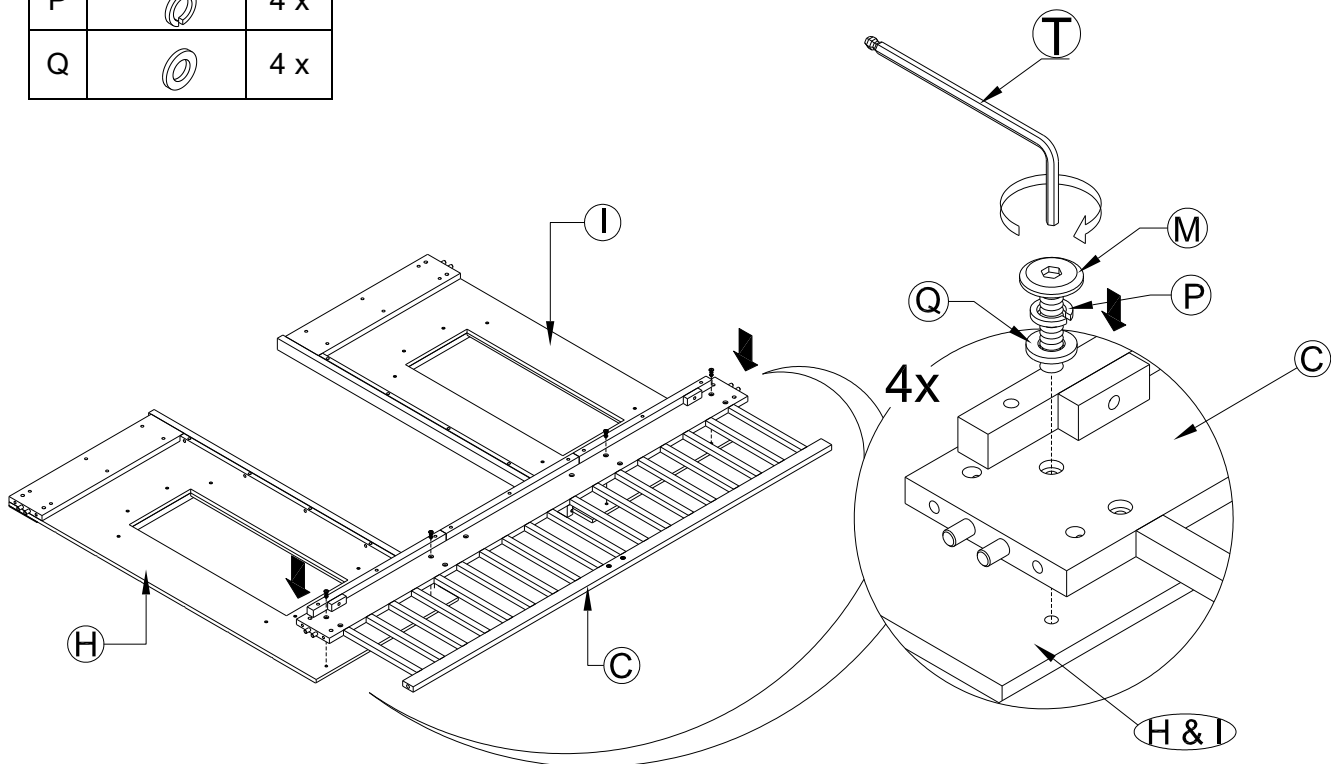
(T) Allen Key with Ball Tip - 1x






ASSEMBLY INSTRUCTION STEPS:

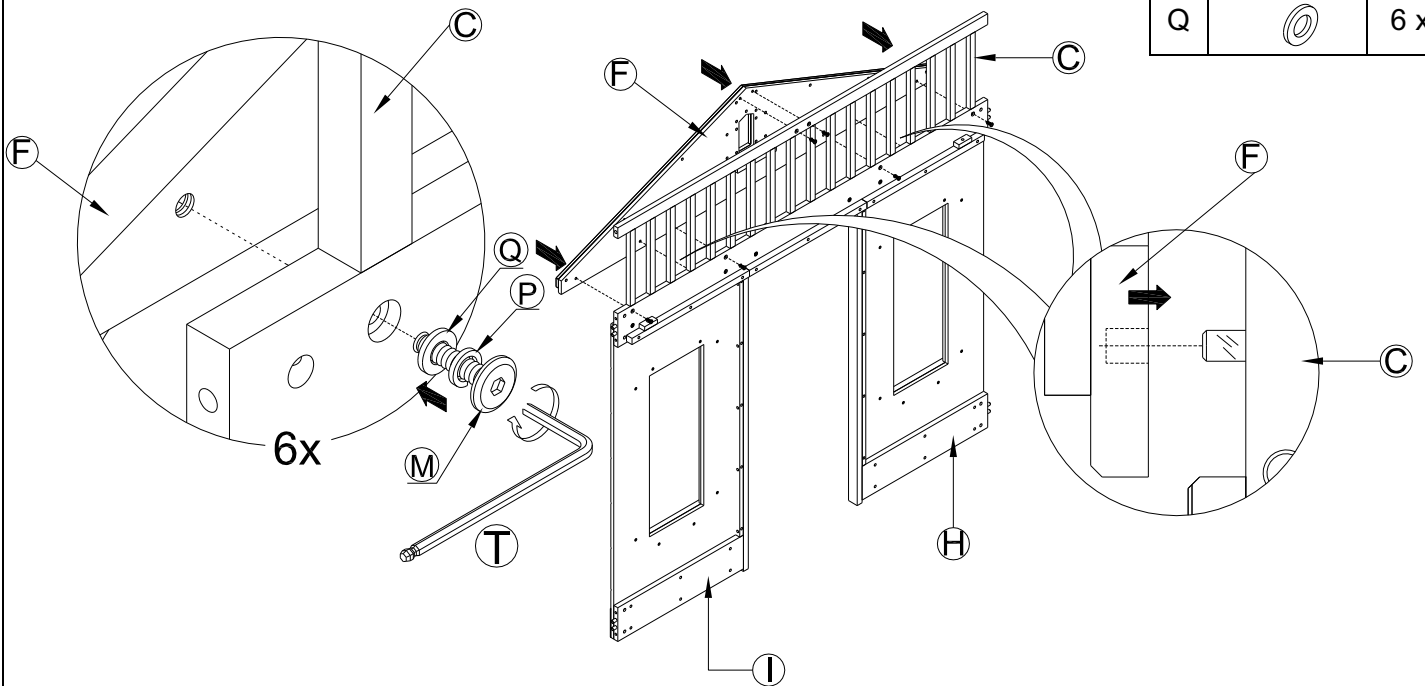
1. Attach (C) to (I&H), as shown below. **Do not over tighten.**

M		4 x
P		4 x
Q		4 x






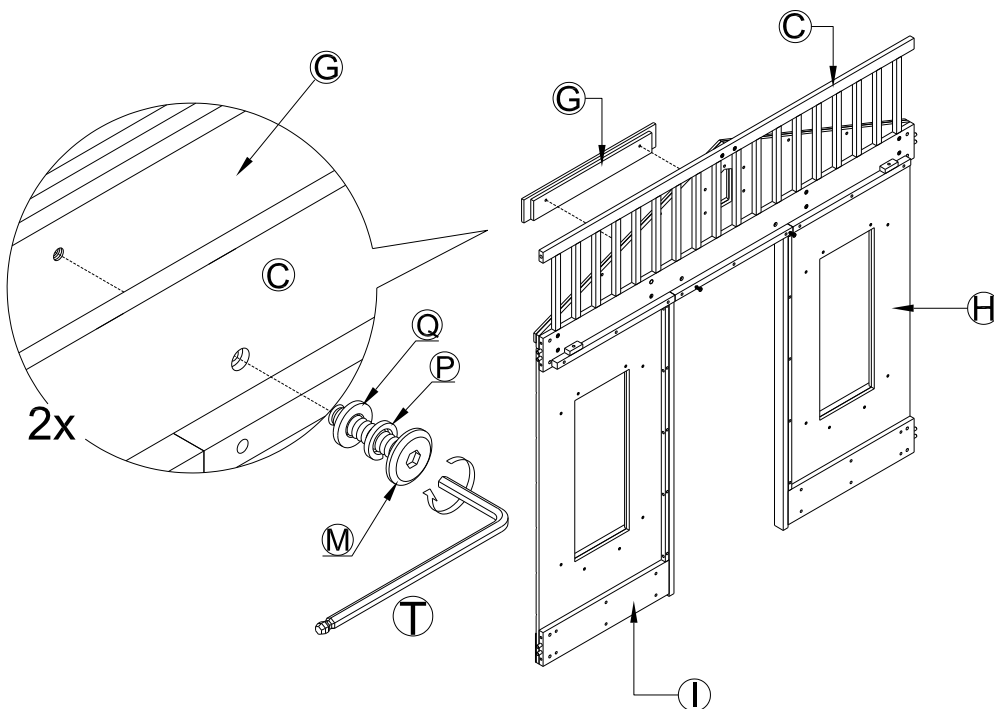
2. Attach (F) to (C), as shown below. **Do not over tighten.**

M		6 x
P		6 x
Q		6 x



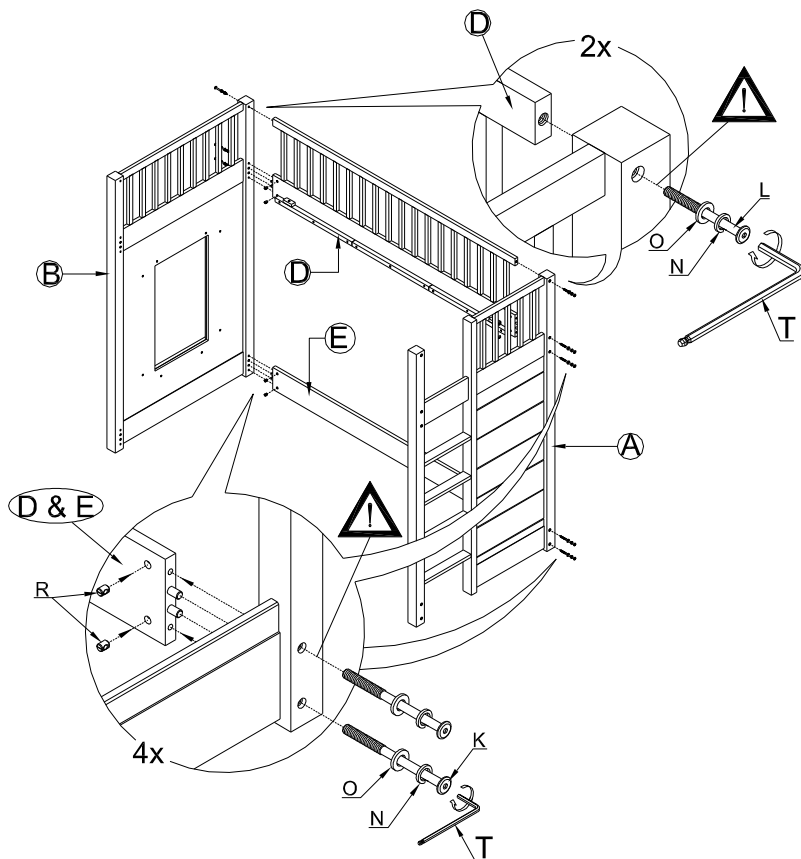
3. Attach (G) to (C), as shown below. **Do not over tighten.**

M		2 x
P		2 x
Q		2 x



4. Attach (A&B) to (D&E), as shown below.

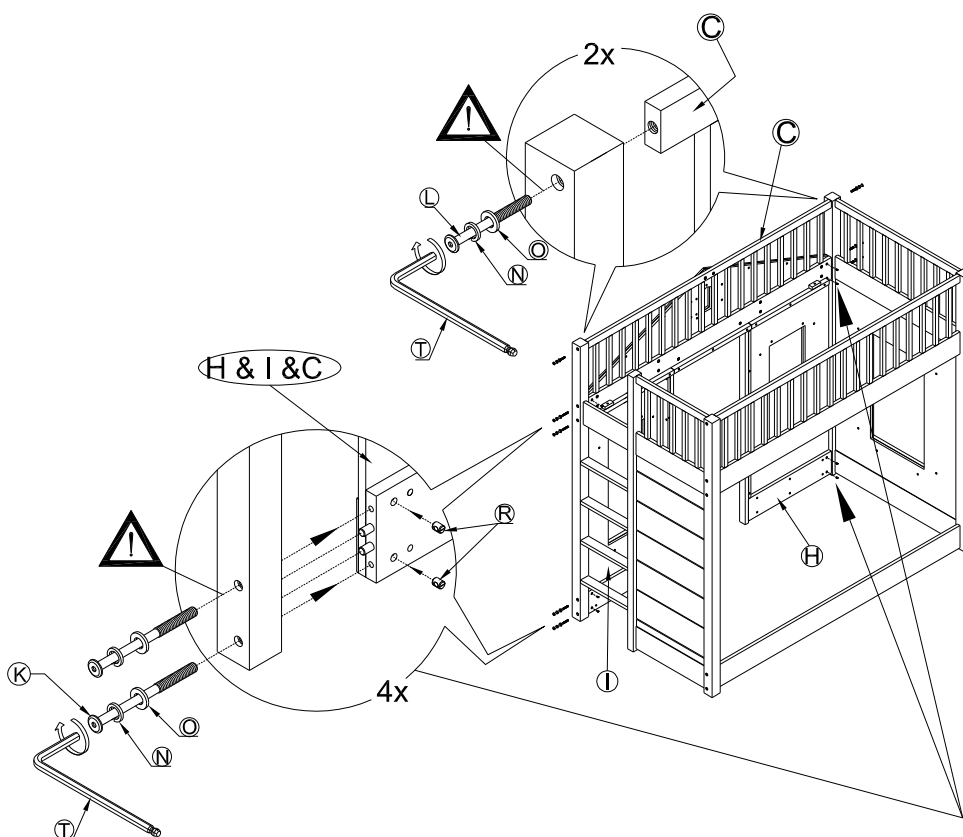
Note: Loosely tighten all bolts (L&K) to make the assembling of front gate easier.



L		2 x
K		8 x
N		10 x
O		10x
R		8 x

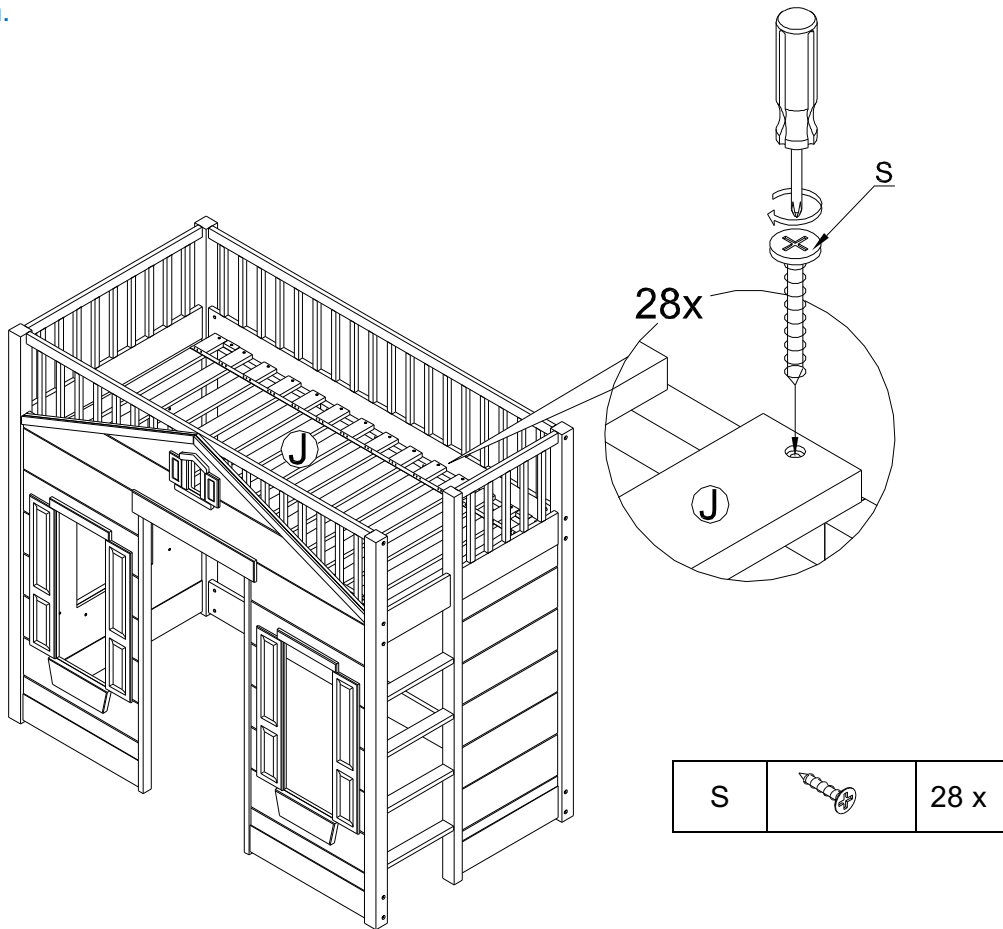
5. Attach assembled front gate to (A&B), as shown below.

6. Check alignment and fully tighten all bolts (L & K) at this time. **Do not over tighten.**

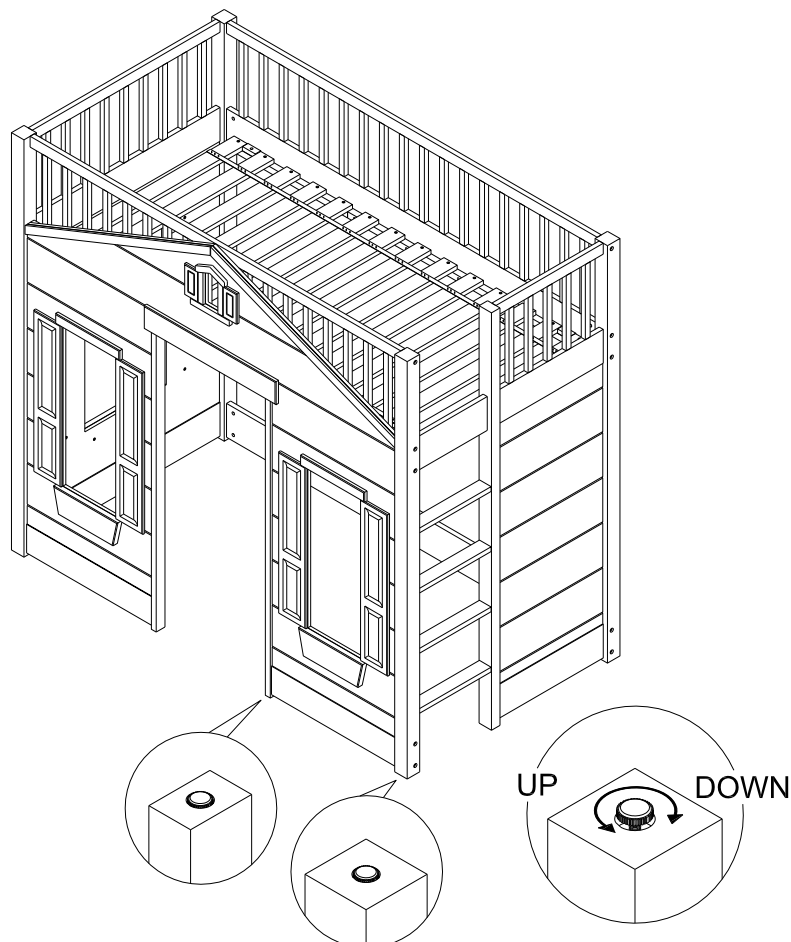


L		2 x
K		8 x
N		10 x
O		10x
R		8x

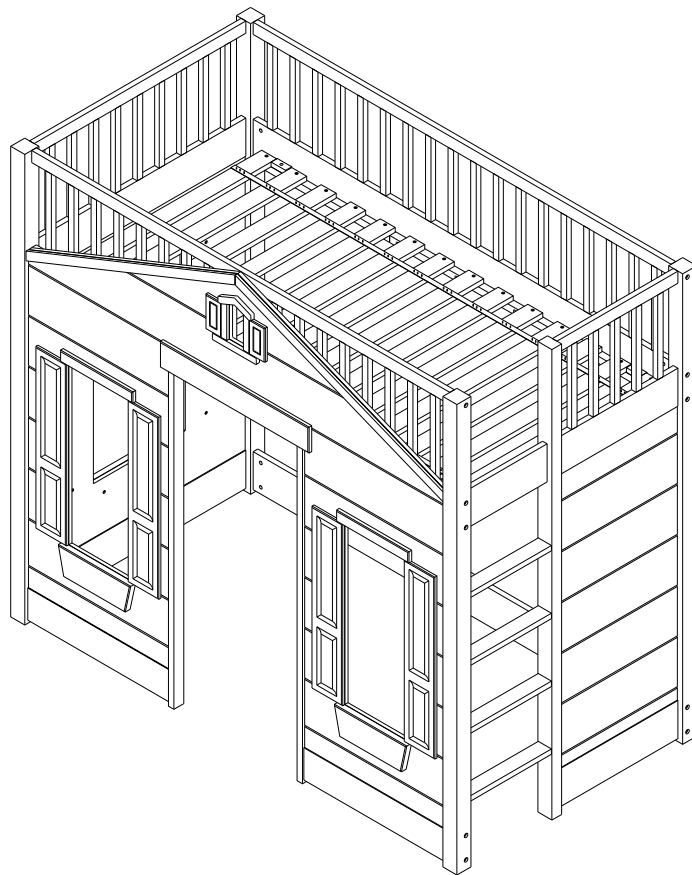
7. Extend and place the Slat Roll (J) to bed frames. Secure the slats as shown below. **Do not over tighten.**



8. Adjust the levelers on the bottom of the unit (up or down) to level the bed, as seen below.



9. Assembly now is completed.



Care Instructions:

- Dust often using a clean, soft, dry and lint-free cloth.
- Blot spills immediately and wipe with a clean, damp, cloth.
- We do not recommend the use of chemical cleansers, abrasives or furniture polish on our lacquered finish.
- Hardware may loosen over time. Periodically check to make sure all connections are tight. Re-tighten if necessary.

Thank you for your purchase
Stores | catalog | www.potterybarnkids.com
USA 1.800.290.8181