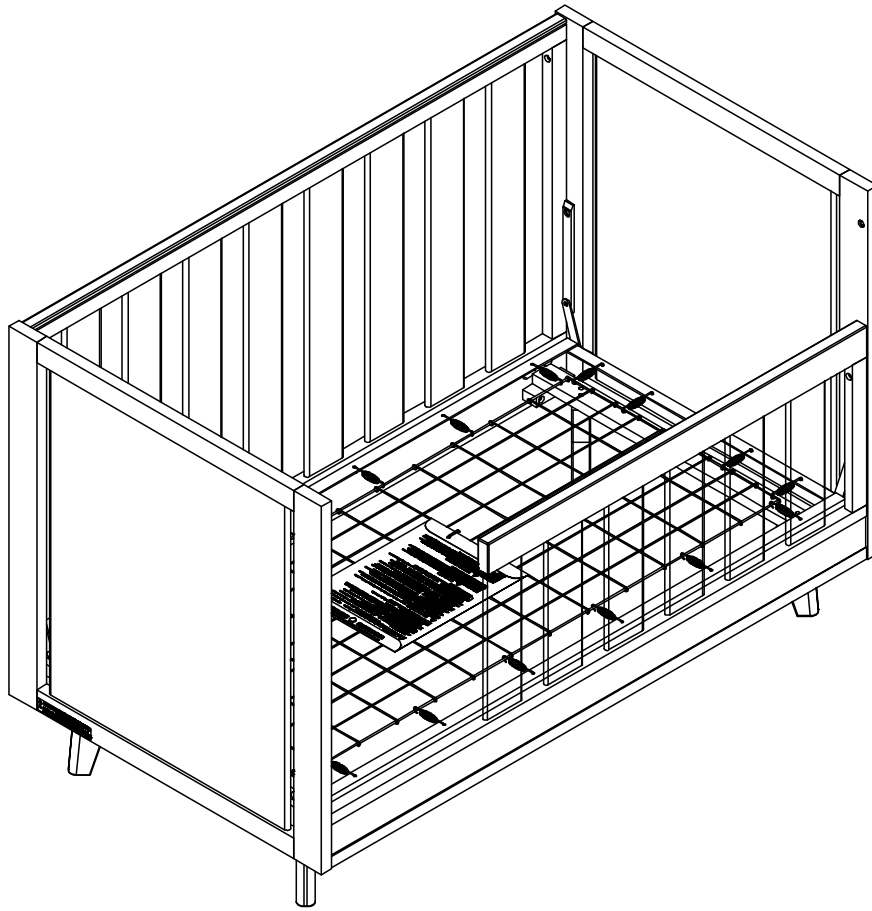


pottery barn kids



## **SLOAN ACRYLIC TODDLER BED CONVERSION KIT**



## WARNING

### ENTRAPMENT/STRANGULATION HAZARD:

- Infants have died in toddler beds from entrapment and strangulation.
- Failure to follow these warnings and assembly instructions could result in serious injury or death.
- NEVER use bed with children under 15 months.
- NEVER place bed near windows where cords from blinds or drapes may strangle a child.
- Read all instructions before assembling toddler bed. KEEP INSTRUCTIONS FOR FUTURE USE.
- **DO NOT** use a water mattress with this toddler bed.
- Never use plastic shipping bags or other plastic film as mattress covers because they can cause suffocation.
- **DO NOT** place bed near windows where cords from blinds or drapes may strangle a child.
- **Do not** place items with a string, cord, or ribbon around a child's neck, such as hood strings or pacifier cords.
- **Do not** suspend strings over a toddler bed or attach strings to toys.
- If refinishing, use a non-toxic finish specified for children's products.
- If included, always use guardrail(s).

CAUTION: ANY MATTRESS USED IN THIS TODDLER BED MUST BE AT LEAST 27 ¼" (69 CENTIMETERS) BY 51 5/8" (131 CENTIMETERS) WITH A THICKNESS NOT EXCEEDING 6" (15 CENTIMETERS) BUT AT LEAST 4" (10 CENTIMETERS).

THIS BED IS FOR CHILDREN OVER 15 MONTHS OF AGE WEIGHING NO MORE THAN 50 POUNDS (22.7 kg).

04-000032-6

#### IMPORTANT SAFETY INSTRUCTIONS:

- Please read all instructions carefully before assembling.
- For your safety, assembly by two or more adults is recommended.
- Keep instructions for future use.
- Use only vendor supplied hardware to assemble. Using unauthorized hardware could jeopardize the structural integrity of the item.
- Do not remove warning labels from the cribs. Labels are permanent and not designed to be removed

#### PRE-ASSEMBLY:

- Remove all parts and hardware from the box and lay out on a clear carpeted or scratch-free work surface, as this will avoid damaging parts during assembly. The shipping box provides an ideal work surface.
- Do not dispose of any packaging or contents of the shipping carton until assembly is completed to avoid accidentally discarding small parts or hardware.
- Use the parts and hardware lists below to identify and separate each of the pieces included.
- The illustrations provided allow for easier assembly when used in conjunction with the assembly instructions.
- The use of power tools to aid in assembly is not recommended. Power tools can damage hardware and split wood.

**PARTS INCLUDED:**

(O) GUARDRAIL (1x)

**CRIB PARTS (Sold separately):**

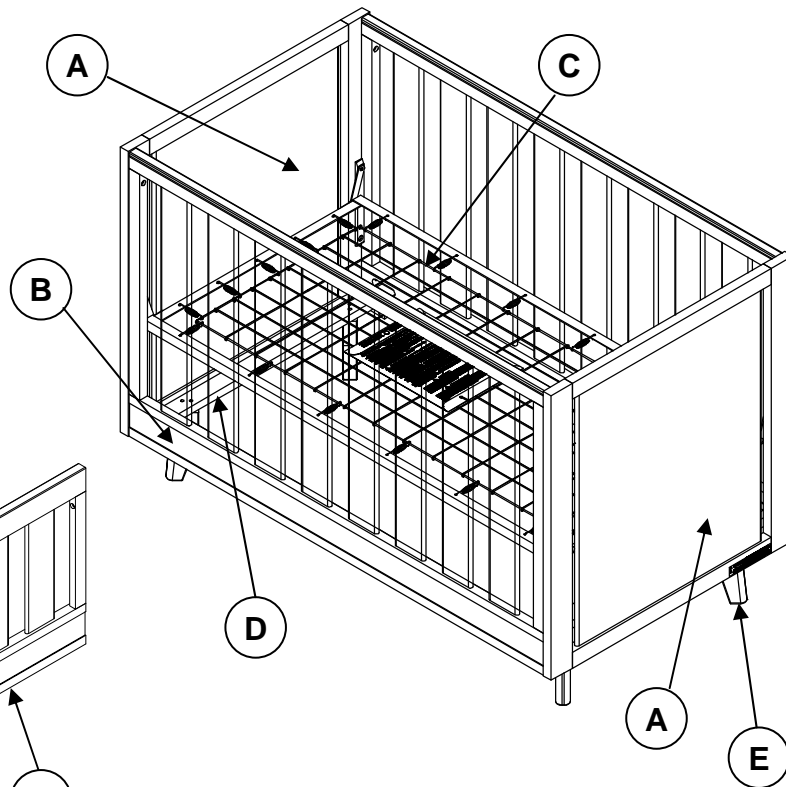
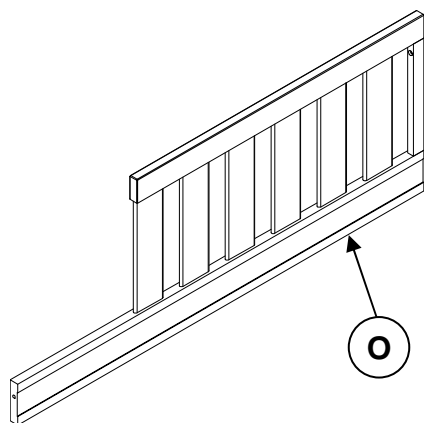
(A) CRIB END (2x)

(B) CRIB STATIONARY SIDE (2x)

(C) MATTRESS BASE (1x)

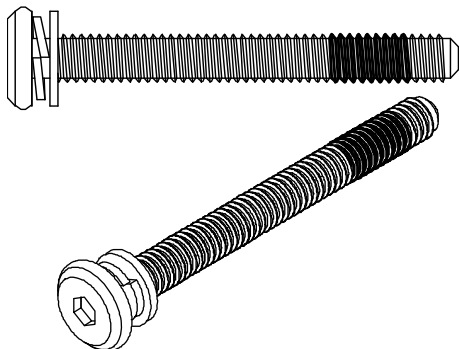
(D) Leg Support (2x)

(E) Leg (4x)

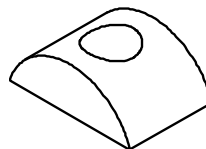


**HARDWARE INCLUDED:**

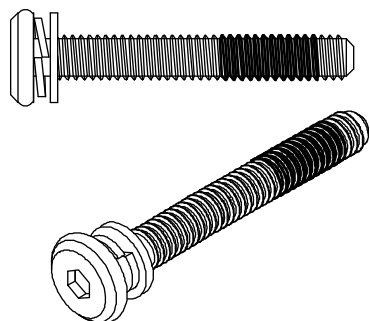
(F) Bolt M6x60mm - (2x)



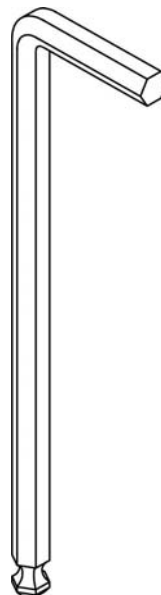
(G) Half Moon Washer - (2x)



(H) Bolt M6x45mm - (1x)



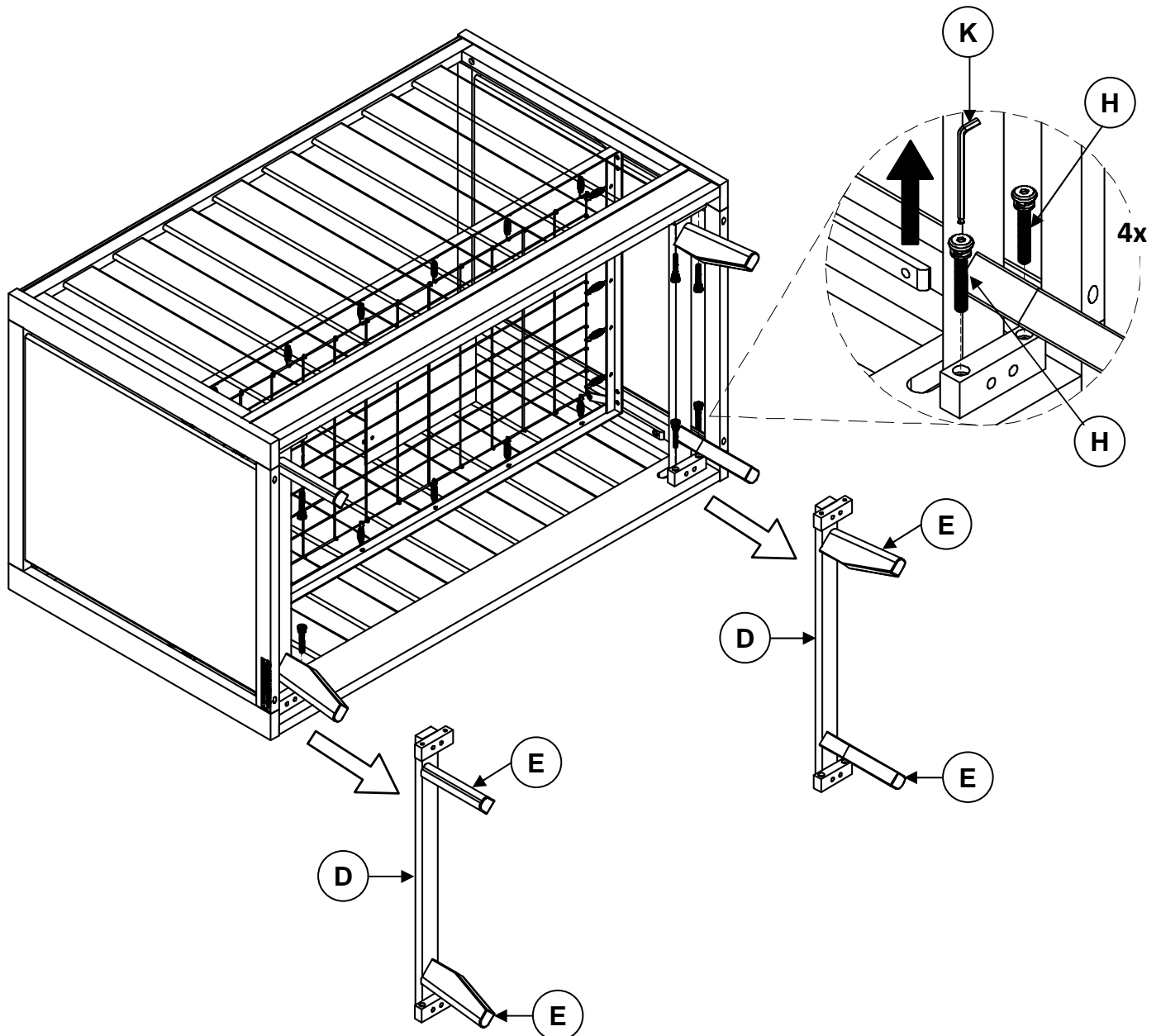
(K) Allen Key with Ball Tip - (1x)



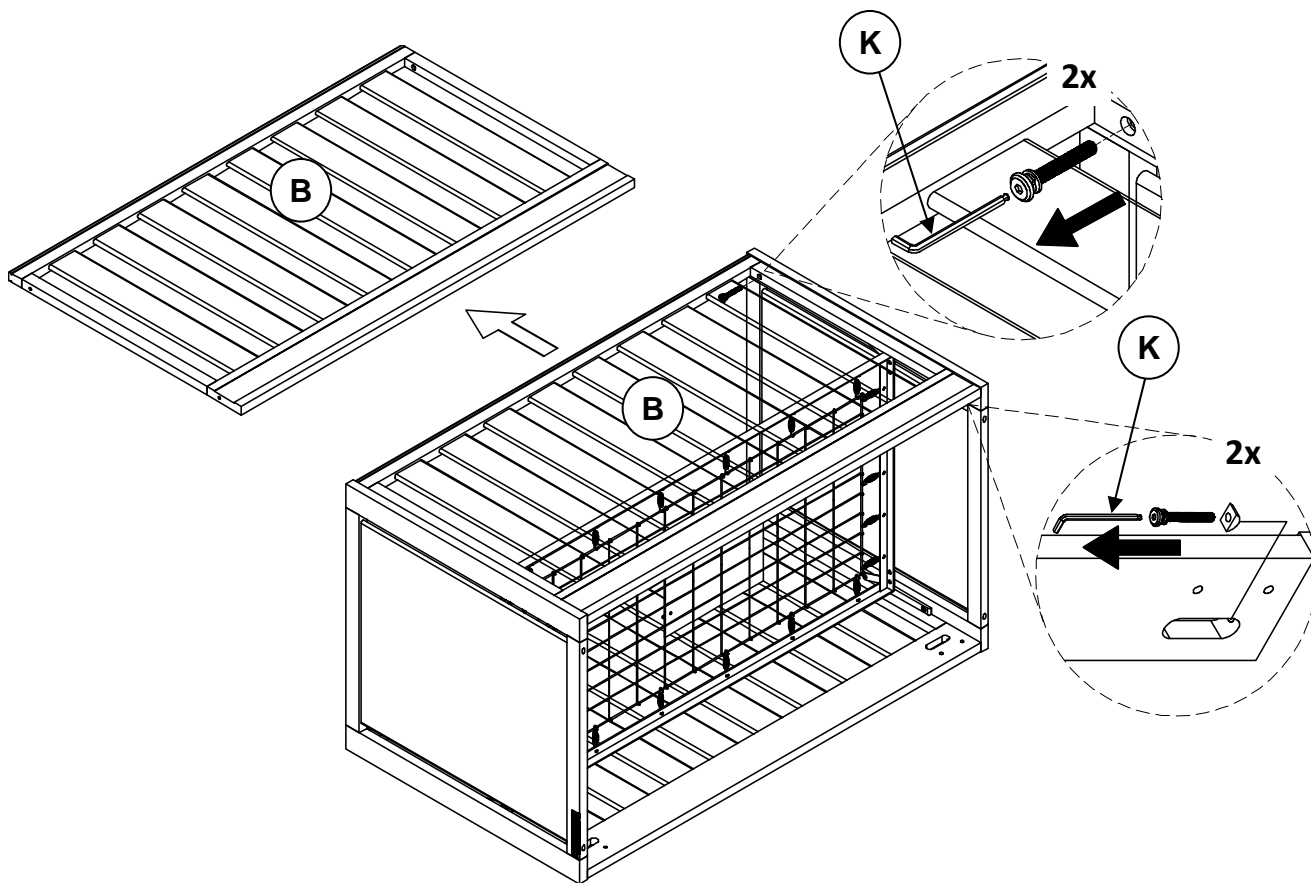
## ASSEMBLY INSTRUCTION STEPS:

1. Remove the assembly instructions from the envelope attached to crib mattress base and review. Keep them handy for referring to the part and hardware descriptions.
2. Carefully turn the crib lying down on its side. Remove (D&E) as shown below.

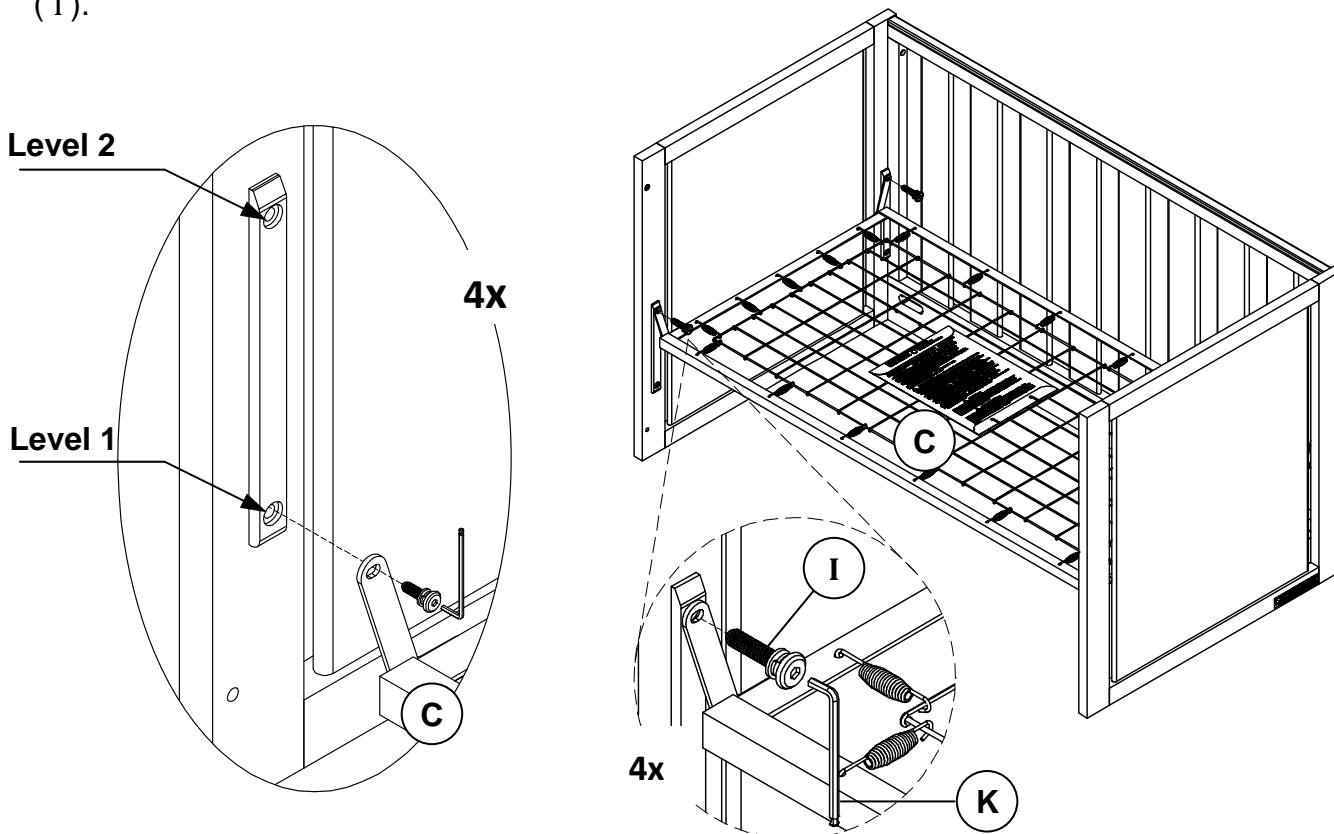
**\*Note : Keep the bolts (H) for later use.**



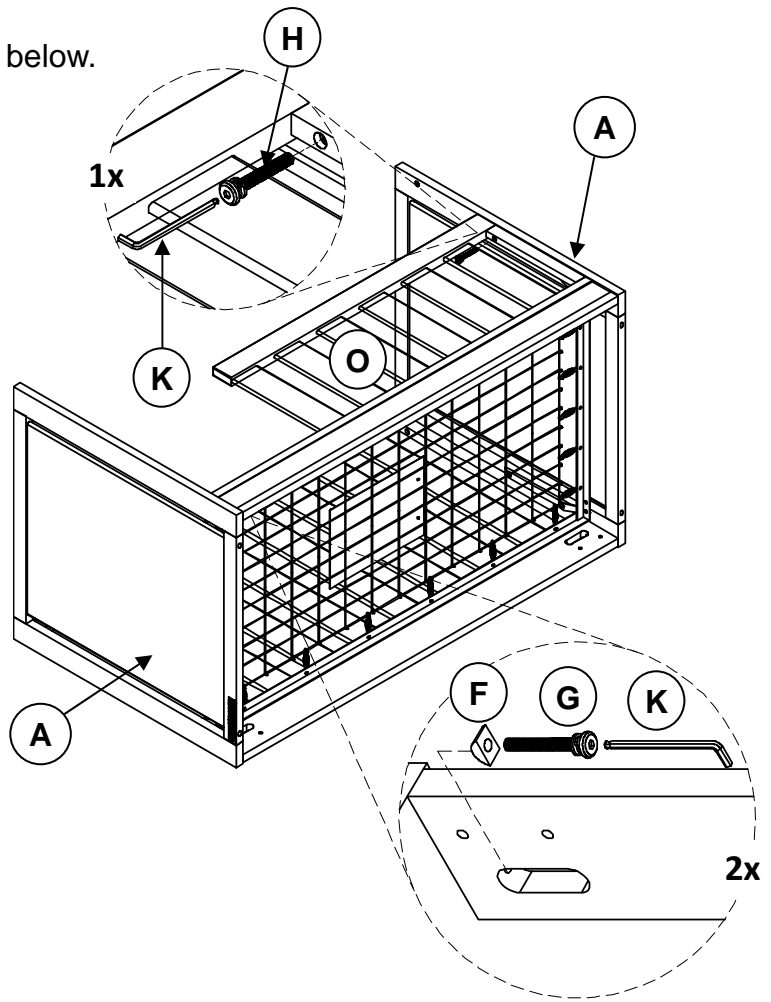
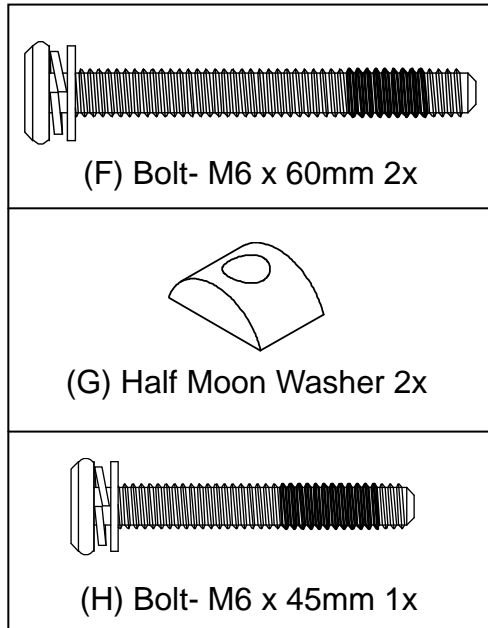
3. Remove Crib Stationary Side as shown below.



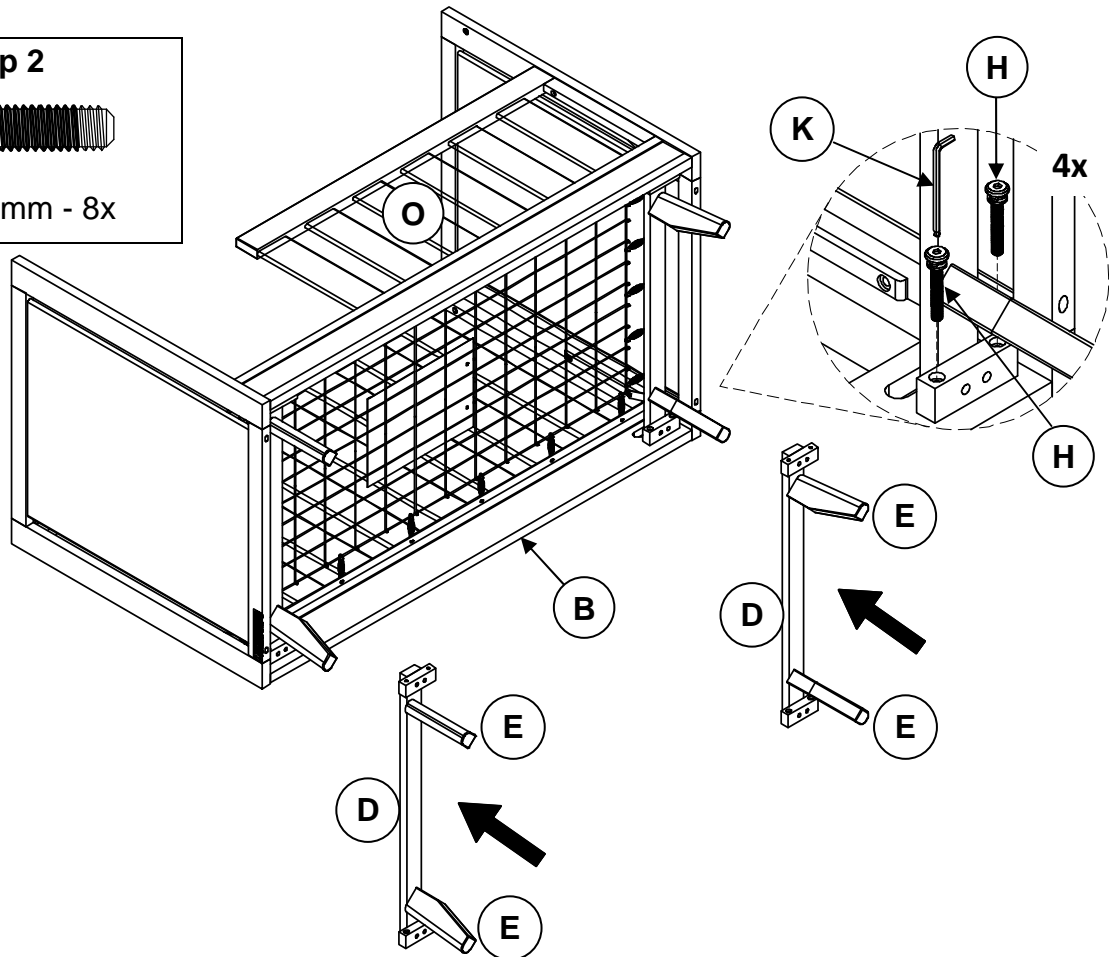
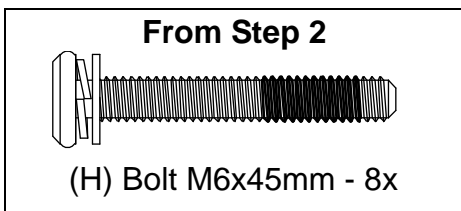
4. To convert your Crib to a Toddler bed, the mattress base has to be installed in the lowest position (Level 1). If it is not, unscrew Mattress Base Bolts ( I ), line up the Mattress Base with the holes at the lowest position and re-attach the Mattress Base using the same bolts ( I ).



5. Attach Guardrail (O) to (A) as shown below.

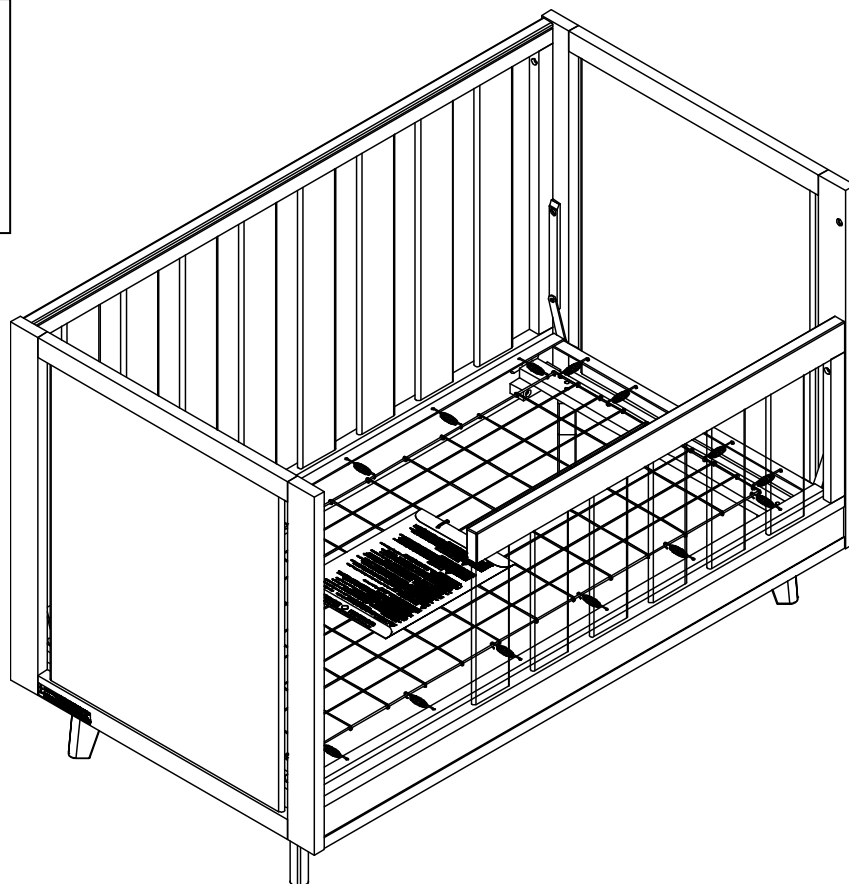


6. Attach (D&E) to (B&O) as shown below.



7. Gently turn the bed upright. Check alignments and fully tighten all connections at this time.

**WARNING:** The plastic film on acrylic is used to protection during transport, please remove this film completely before using.



8. Assembly is now complete.
9. Place the assembly instructions back into the envelope mounted on the mattress base for future reference.

#### **CARE INSTRUCTIONS:**

- Dust often using a clean, soft, dry and lint-free cloth.
- Blot spills immediately and wipe with a clean, damp, cloth.
- We do not recommend the use of chemical cleansers, abrasives or furniture polish on our lacquered finish.
- If the bed is to be stored, store in cool dry place and carefully package all original hardware to protect from loss or damage.
- Check fasteners periodically for tightness. Re-tighten if necessary. **DO NOT over tighten.** This may cause distortion or breakage
- Parents should ensure a safe environment for the child by checking regularly, before placing the child in the product, that every component is properly and securely in place.

Thank you for your purchase  
stores | catalog | [www.potterybarnkids.com](http://www.potterybarnkids.com)  
U.S.A 1.800.290.8181