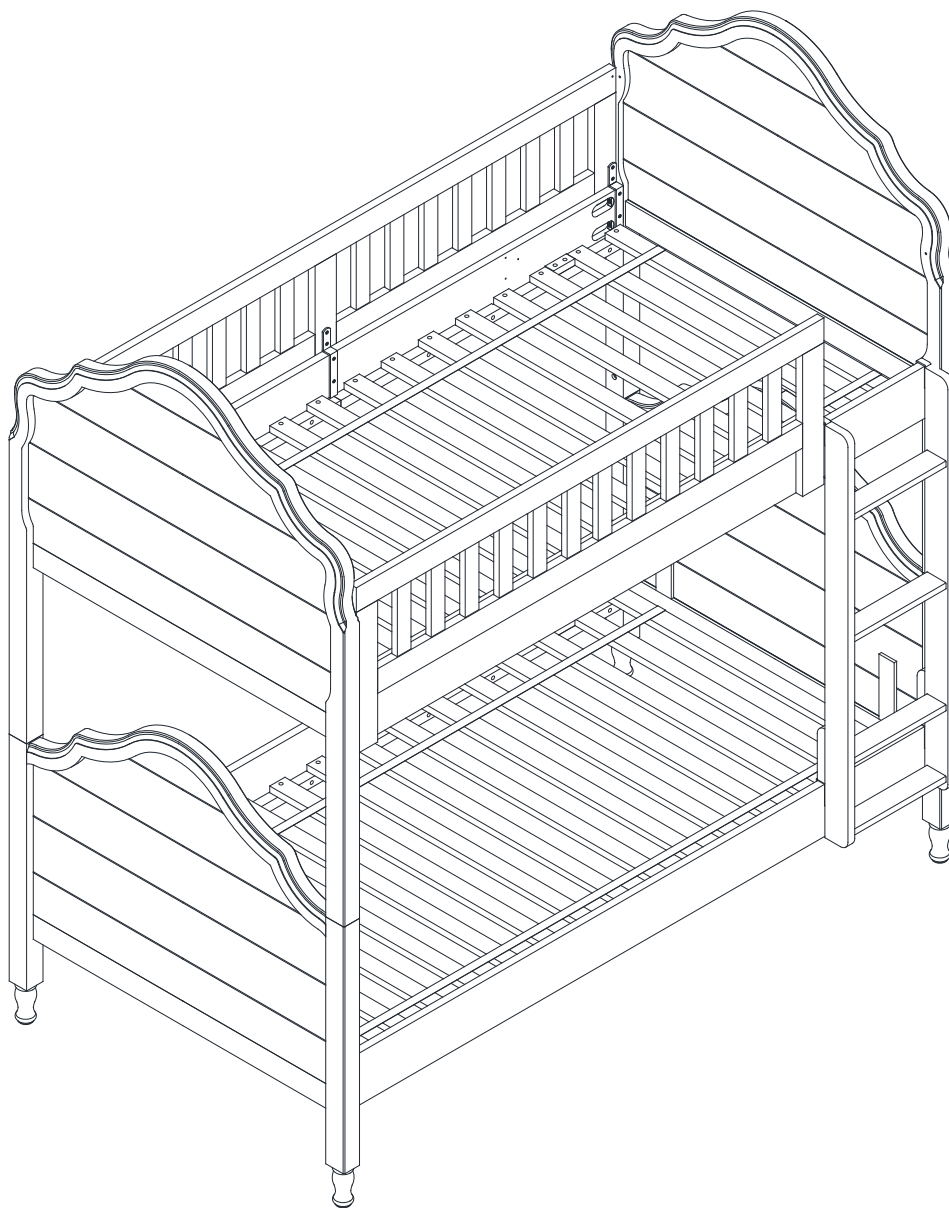


pottery barn kids

JULIETTE BUNK BED TWIN OVER TWIN

ASSEMBLY INSTRUCTIONS



www.potterybarnkids.com



WARNING: Failure to follow these warnings and assembly instructions could result in serious injury or death. To help prevent serious

or fatal injuries from entrapment or falls:

- Read all instructions before assembling bunk bed.
 - Before each usage or assembly, inspect bunk bed for damaged hardware, loose joints, missing parts or sharp edges. DO NOT use bunk bed if any parts are missing or broken.
 - DO NOT use substitute parts. Contact Pottery Barn Kids for replacement parts and instructional literature if needed.
 - Follow the information on the warnings appearing on the upper bunk end structure and on the carton. DO NOT REMOVE WARNING LABEL FROM BED.
 - Always use the recommended size mattress or mattress support, or both, to help prevent the likelihood of entrapment or falls.
 - Ensure thickness of mattress on upper bunk does not exceed 9 inches and the surface of mattress must be at least 5 inches (127 mm) below the upper edge of guardrails.
 - Only use the 9" thickness mattress on the lower bunk.
 - Ensure both upper and lower bunk are assembled to the highest position when using the product as a bunk bed.
 - Use only a mattress which is 74"-75" long and 37.5"-38.5" wide on upper and lower bunk.
 - Do not allow children under 6 years of age to use the upper bunk.
 - Periodically check and ensure that the guardrail, ladder, and other components are in their proper position, free from damage, and that all connectors are tight.
 - Do not allow horseplay on or under the bed and prohibit jumping on the bed.
 - Prohibit more than one person on the upper bunk.
 - Always use the ladder for entering and leaving the upper bunk.
 - Use of a night light may provide added safety precaution for a child using the upper bunk.
 - Always use guardrails on both long sides of the upper bunk. If the bunk bed will be placed next to the wall, the guardrail that runs the full length of the bed should be placed against the wall to prevent entrapment between the bed and wall.
 - The use of water or sleep flotation mattresses is prohibited.
 - If refinishing, use a non-toxic finish specified for children's products.
 - **STRANGULATION HAZARD** - Never attach or hang items to any part of the bunk bed that are not designed for use with the bed; for example, but not limited to: hooks, belts and jump ropes
 - This bunk bed meets the requirements of ASTM F1427-13
- KEEP THESE INSTRUCTIONS FOR FUTURE REFERENCE**

04-000044-7

Important Safety Instructions:

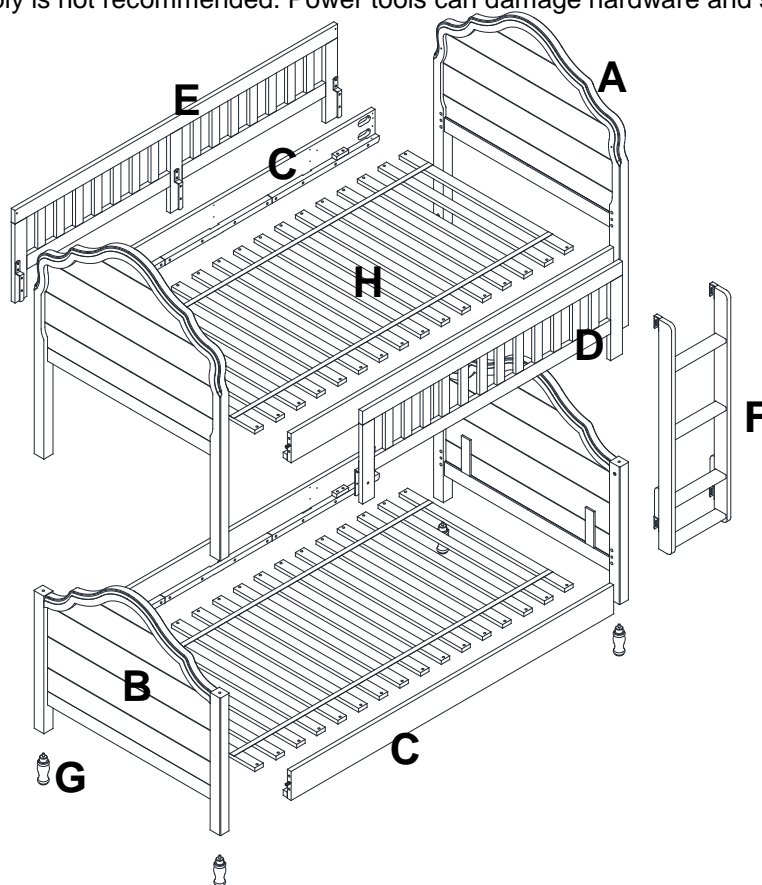
- Please read all instructions carefully before assembling.
- For your safety, assembly by two or more adults is strongly recommended.
- Keep instructions for future use.
- Use only vendor supplied hardware to assemble. Using unauthorized hardware could jeopardize the structural integrity of the item.

Pre-assembly:

- Remove all parts and hardware from the box and lay out on a clear carpeted or scratch-free work surface, as this will avoid damaging parts during assembly. The shipping box provides an ideal work surface.
- Do not dispose of any packaging or contents of the shipping carton until assembly is completed to avoid accidentally discarding small parts or hardware.
- Use the parts and hardware lists below to identify and separate each of the pieces included.
- The illustrations provided allow for easier assembly when used in conjunction with the assembly instructions.
- The use of power tools to aid in assembly is not recommended. Power tools can damage hardware and split wood.

Parts Included:

- (A) Upper Bed End - 2 pcs
- (B) Lower Bed End - 2 pcs
- (C) Side rail - 4 pcs
- (D) Short Guardrail - 1 pc
- (E) Long Guardrail - 1 pc
- (F) Ladder - 1 pc
- (G) Bun foot - 4 pcs
- (H) Slat roll - 2 pcs




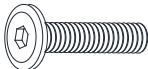




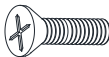


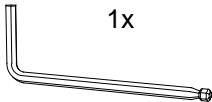


Tools Required (not included):

Philips Head Screwdriver

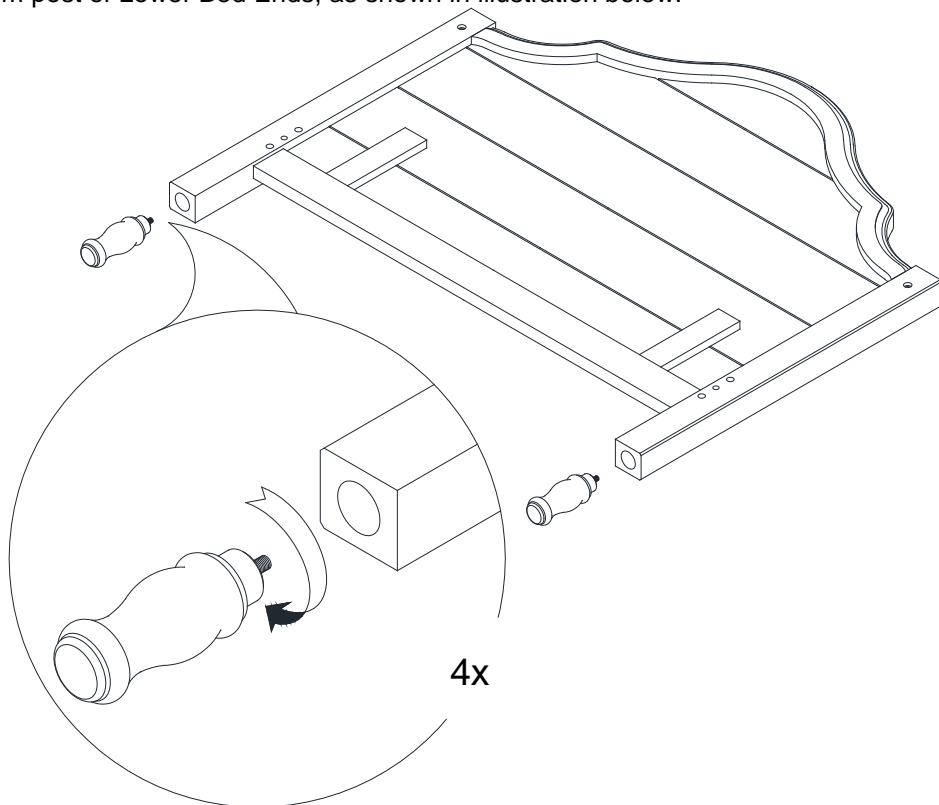


Hardware Included:

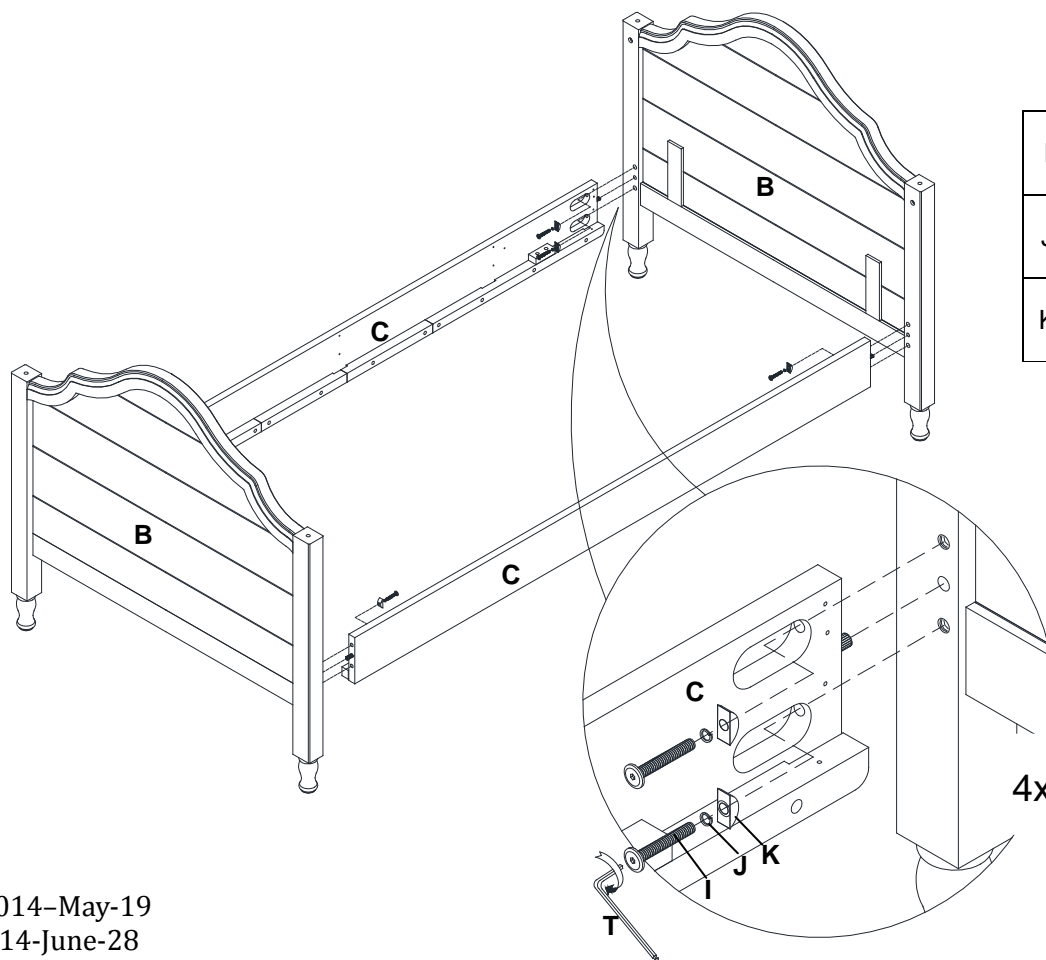
(I) Bolt M8 x 60mm – 16x 	(J) Spring washer 8x14x2mm – 16x 	(K) Half moon washer – 16x 	(L) Bolt M6x38mm – 8x 
(M) Spring washer 6x11x1mm – 8x 	(N) Flat washer 6x13x1.5mm – 8x 	(O) Metal dowel – 4x 	(P) Corner bracket – 3x 
(Q) Bolt JF M4x12mm – 6x 	(R) Flat head screw 7x19mm – 19x 	(S) Pan Head screw 8x25mm – 64x 	(T) Allen ball key 4mm – 1x 

Assembly Instruction Steps:

1. Lay the Lower Bed Ends (B) down into soft flat surface. Thread the Bun Feet (G) into the cut-outs located on the bottom post of Lower Bed Ends, as shown in illustration below.

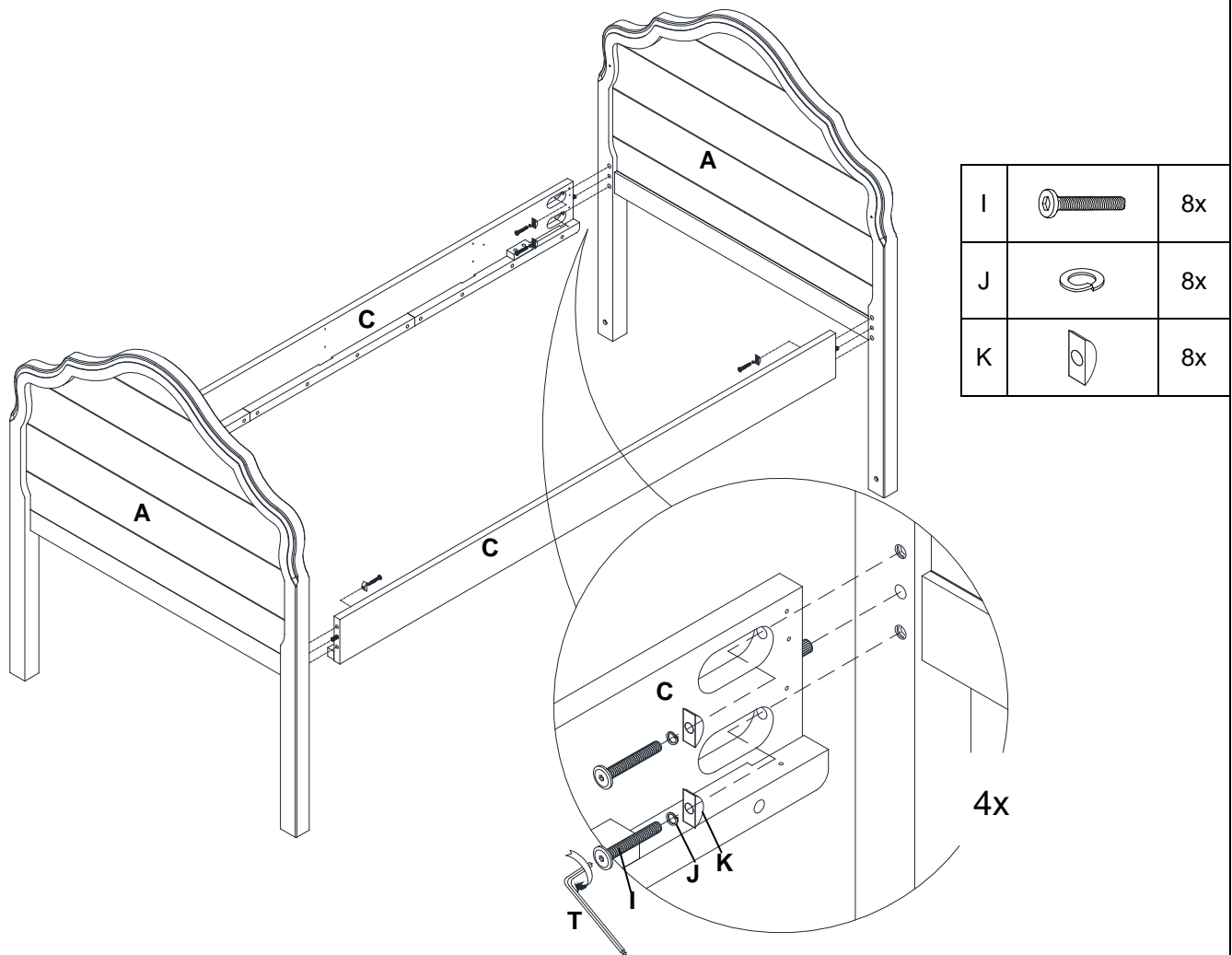


2. Attach (2x) Side rails (C) to the assembled Lower Bed Ends (B) with pre-drilled holes and wooden dowels aligned as shown in illustration below.
3. Insert (8x) set of Bolt (I), Spring washer (J) and Half moon washer (K) into cut-out on Side rails into metal insert located on Post of Lower bed ends, securing with Allen Key (T) as shown.

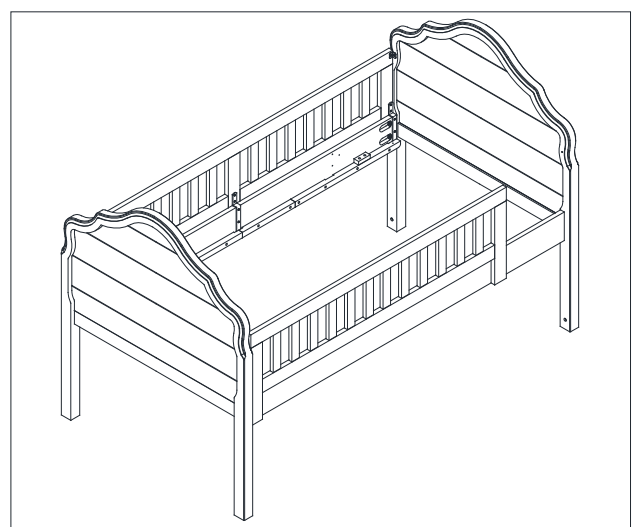
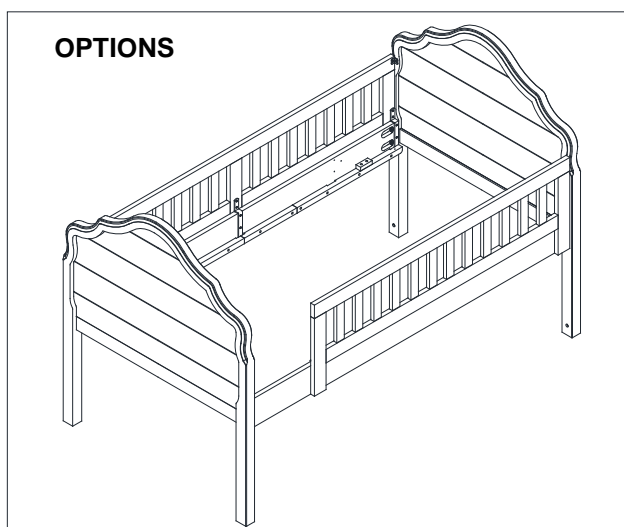


I		8x
J		8x
K		8x

4. Attach (2x) Side rails (C) to Upper Bed Ends (A) with pre-drilled holes and wooden dowels aligned as shown in illustration below.
5. Insert (8x) set of Bolt (I), Spring washer (J) and Half moon washer (K) into cut-out on Side rails into metal insert located on Post of Upper bed ends, securing with Allen Key (T) as shown.



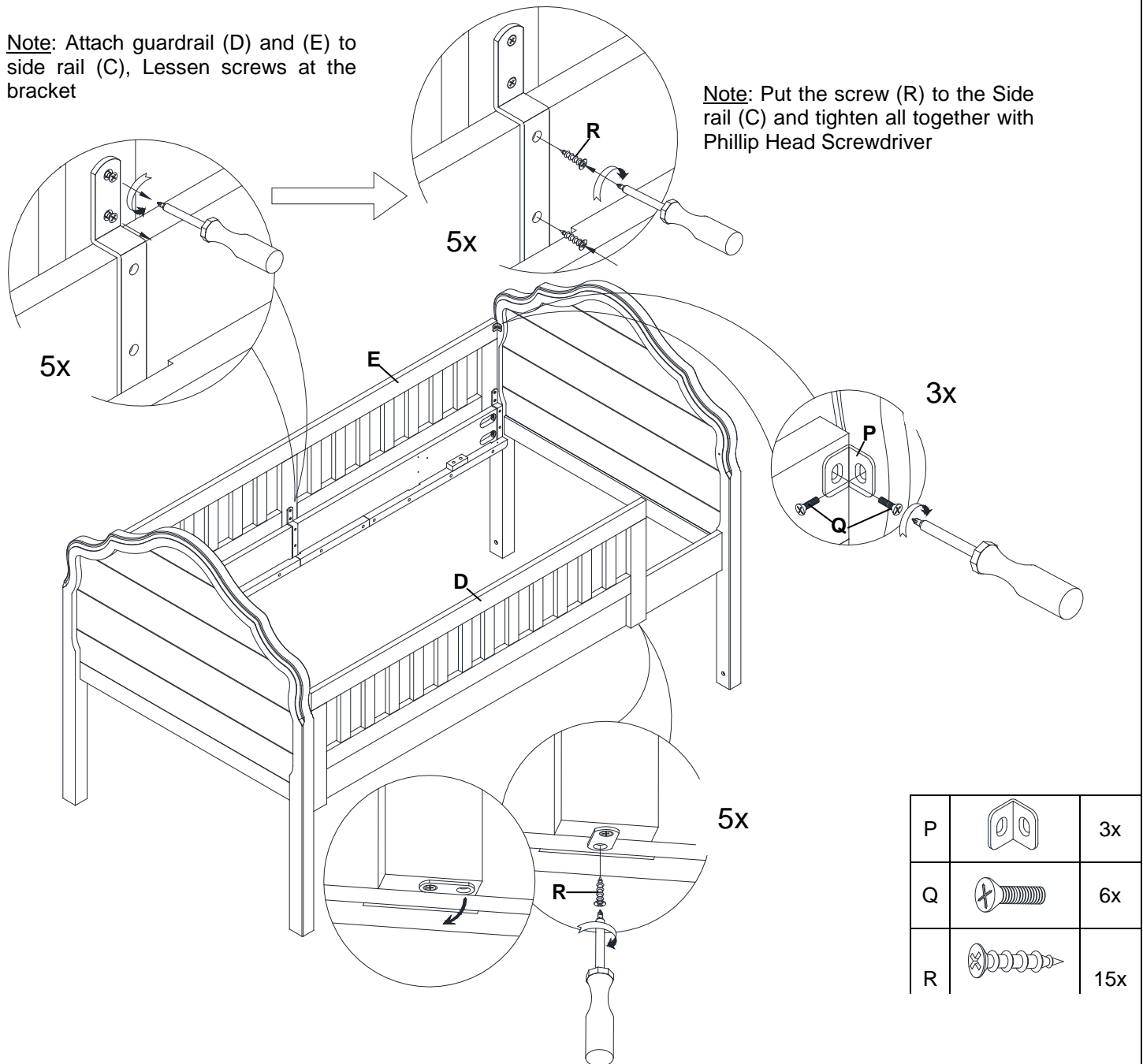
6. Determine the desired location of the ladder opening (see option below). Then install the Short Guardrail (D) on the front side rail with brackets facing inward and the guardrail slats out. The short guardrail should be in contact with the end opposite the entry opening.



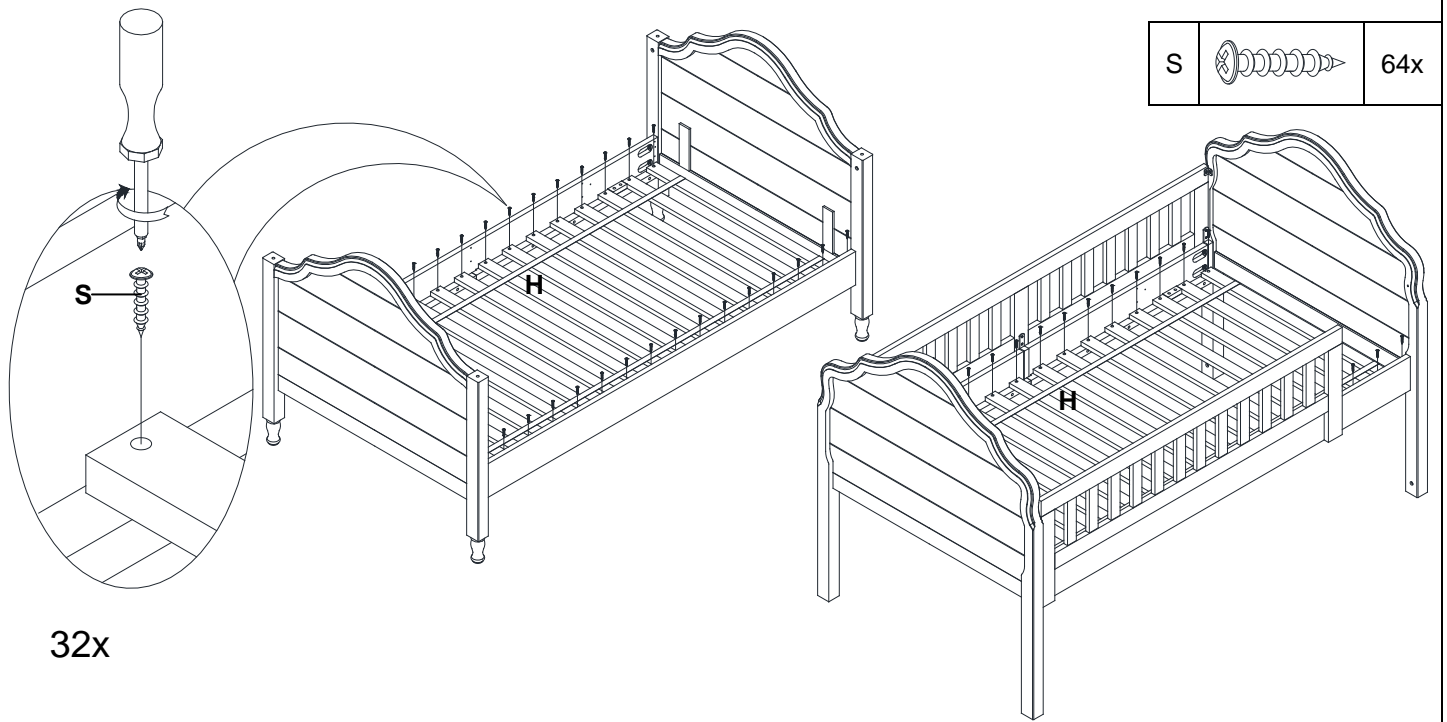
7. Fasten Short/Long Guardrails (D/E) to Side rails (C) of the upper bunk by using (10x) Flat head screws (R). For the Short Guardrail (D), make sure there is no gap in between the Guardrail end and Upper Bed End (A) opposite the desired entry point before you start screwing the parts. Turn brackets on bottom of Guardrails and insert (5x) Flat head screw (R) to secure to underside of Side rails as shown.
8. Place (3x) Corner Bracket (P) to pre-drilled holes in upper corners of the Upper Bed End and Long/Short Guardrails and insert (6x) Bolts (Q) to secure as shown in illustration below through each pre-drilled holes in Corner bracket into metal insert in guardrails and upper bed ends. Tighten the bolt with Phillip head screwdriver (not included)

Note: Attach guardrail (D) and (E) to side rail (C), Lessen screws at the bracket

Note: Put the screw (R) to the Side rail (C) and tighten all together with Phillip Head Screwdriver



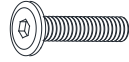



9. Extend and place the Slat Roll (H) to bed frames and use (64x) Pan Head Screw (S) to secure as shown below

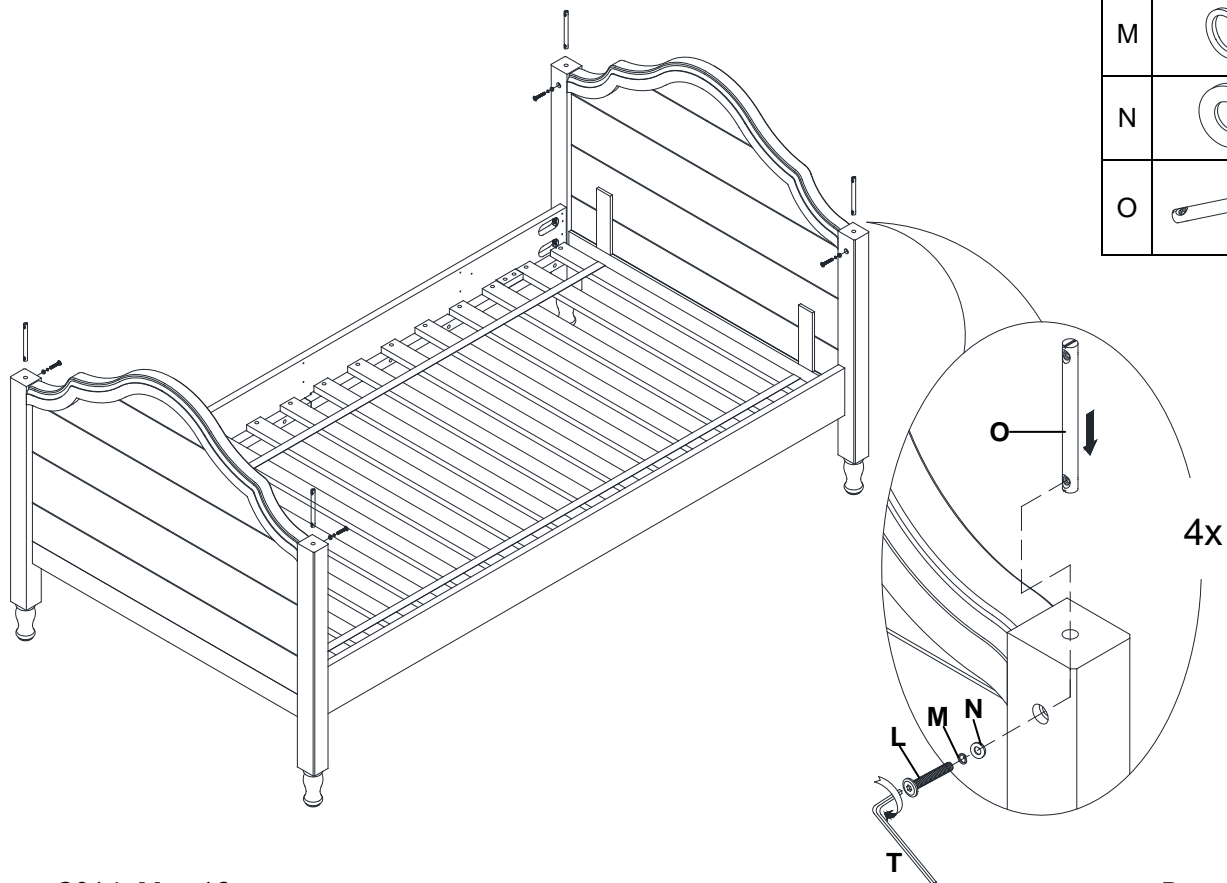


10. Insert (4x) Metal Dowel (O) into pre-drilled holes located on top post of Lower Bed End (B).

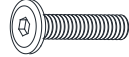


11. Insert each Bolt (L), Spring washer (M), Flat washer (N) into pre-drilled hole on post of of Lower Bed End and turn the Metal Dowel (O) to align. Tighten the Bolt (L) with Allen Key (T) as shown in illustration below.

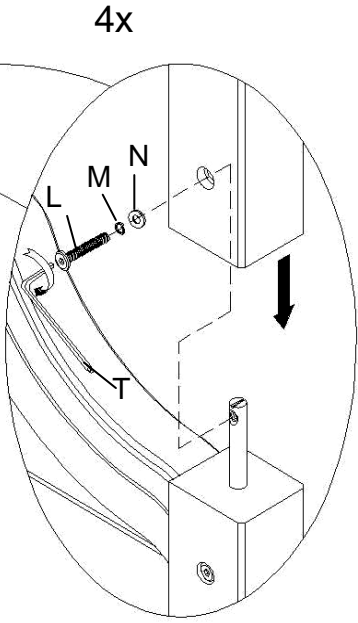
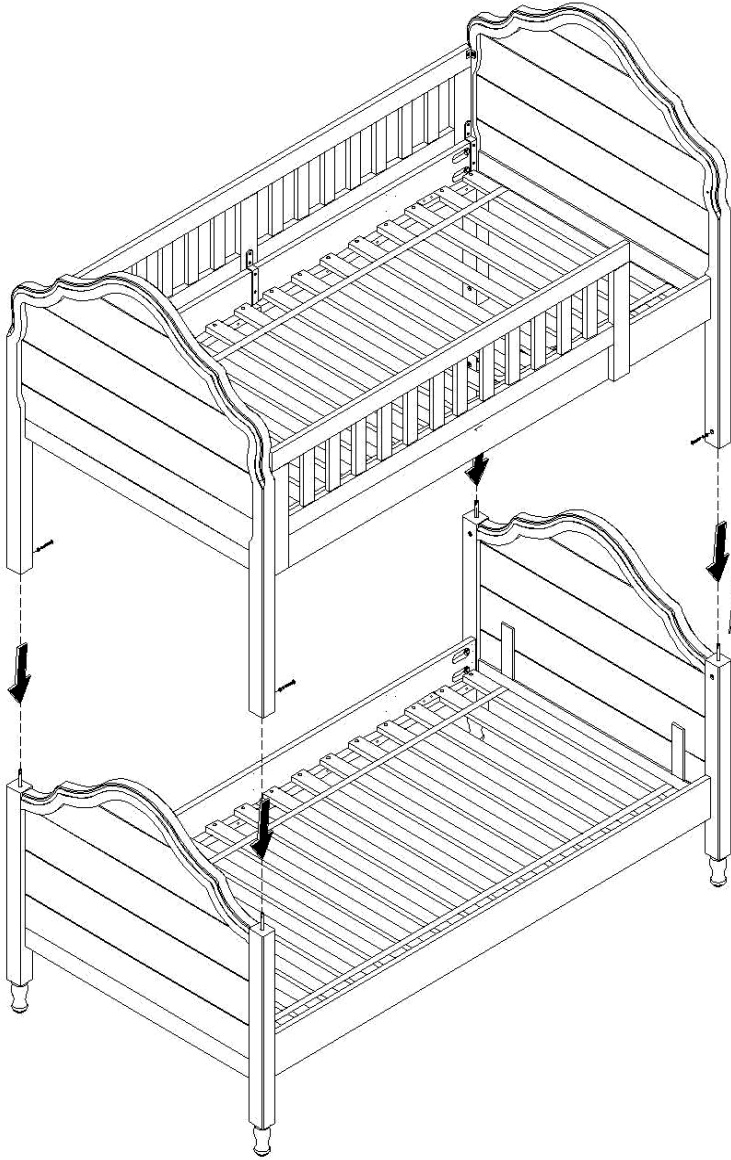
12. Repeat with the other (3x) Metal Dowels (O)

L		4x
M		4x
N		4x
O		4x

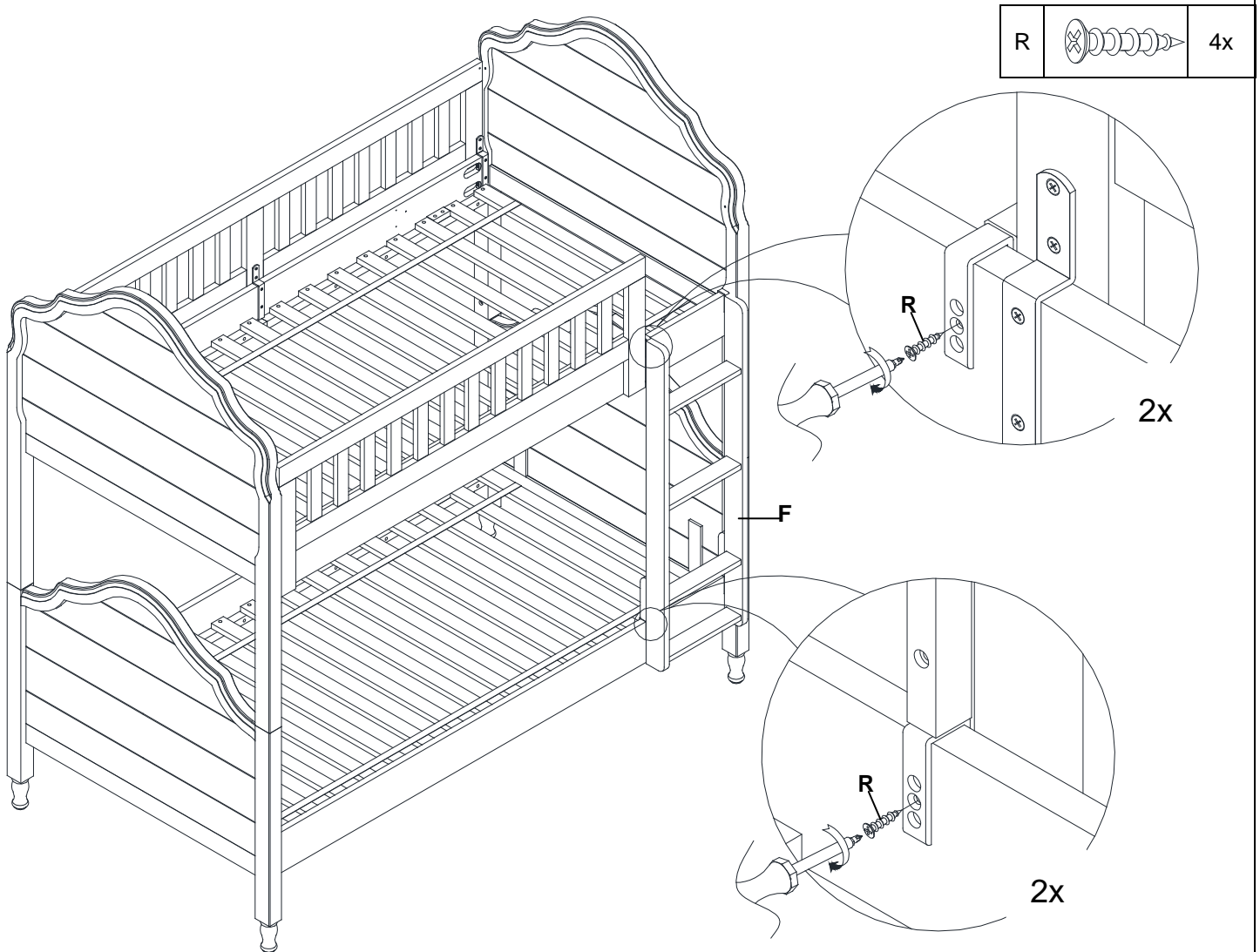


13. With help, lift upper bed over lower bed and align pre-drilled holes on bottoms of upper bed to the Metal Dowels on lower bed.
14. Insert (4x) each Bolt (L) Spring washer (M), Flat washer (N) into pre-drilled hole on post of Upper Bed End. Tighten the Bolt (L) with Allen Key (T) as shown in illustration below.

L		4x
M		4x
N		4x



15. Attach Ladder (F) to Opening of the Short Guardrail and ensure the pre-install hooks on the ladder sit well on Side rails of upper and lower beds. Insert (2x) Flat head screw (R) to secure Ladder to upper bed side rail and (2x) Flat head screw (R) to secure Ladder to lower bed side rail as shown in illustration below.



Care Instructions:

- Dust often using a clean, soft, dry and lint-free cloth.
- Blot spills immediately and wipe with a clean, damp, cloth.
- We do not recommend the use of chemical cleansers, abrasives or furniture polish on our lacquered finish.
- Hardware may loosen over time. Periodically check to make sure all connections are tight. Re-tighten if necessary.

Thank you for your purchase
 Stores | catalog | www.potterybarnkids.com
 USA 1.800.290.8181