

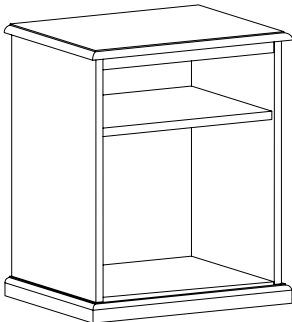
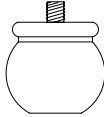
pottery barn kids

CATALINA NIGHTSTAND

PRE-ASSEMBLY :

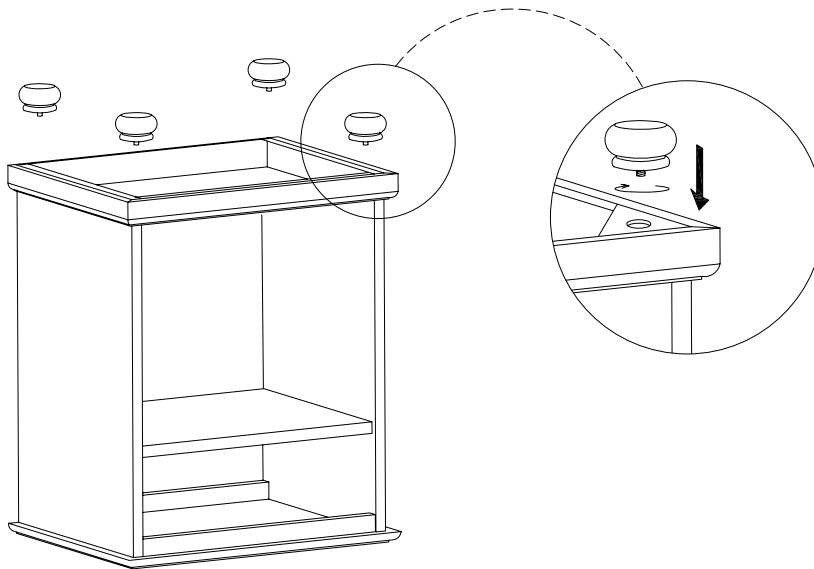
- Please read all instructions before beginning assembly.
- For your safety, assembly by two adults is recommended.
- The illustrations provided allow for easier assembly when used in conjunction with the assembly instructions.
- Remove all parts and hardware from box and lay out on a carpeted or scratch-free work surface, as this will avoid damaging any parts during assembly. The shipping box provides an ideal work surface. Do not dispose of any contents until assembly is completed to avoid accidentally discarding small parts or hardware.
- Save all packing materials until assembly is complete to avoid accidentally discarding smaller parts or hardware.
- Use the parts and hardware lists to identify and separate each of the pieces included prior to starting assembly.
- Note: DO not fully tighten all bolts until all parts are in place. Failure to follow these instructions may cause the bolts to misalign during assembly.
- If using power tools to aid in assembly please use caution. Power tools can damage hardware or split wood.

PARTS INCLUDED:

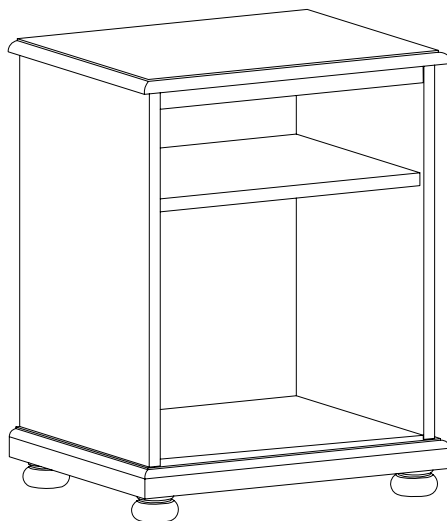
Nightstand - A (Qty=1)	Feet - B (Qty = 4)
	

ASSEMBLY INSTRUCTION :

1. Find a clean, leveled, and smooth surface. Turn the Nightstand (A) up side down on the surface. Assembly the Foot (B) on each side by rotating the foot.



2. Turn the Nightstand into the normal position. Make sure that the feet are sturdy.



CARE INSTRUCTION :

- For daily cleaning, wipe with a soft damp cloth. Wipe dry immediately.
- Do not use glass cleaner, abrasives, wax or household cleaners on wood.
- Check fasteners periodically for tightness. Do not over tighten ; this may cause distortion or breakage.