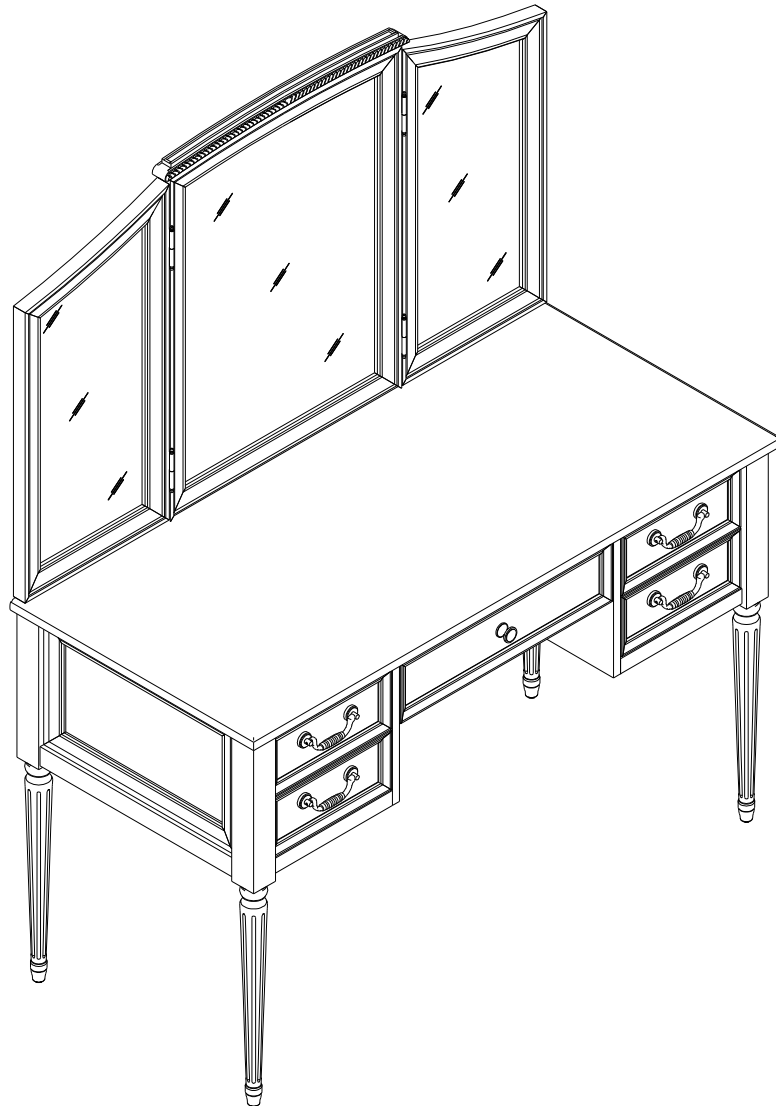


pottery barn kids



BLYTHE MIRROR VANITY DESK TOPPER

www.potterybarnkids.com

Important Safety Instructions:

- Please read all instructions carefully before assembling this Vanity Topper.
- For your safety, assembly by two or more adults is strongly recommended.
- Keep these instructions for future use.
- Use only vendor-supplied hardware to assemble this item. Using unauthorized hardware could jeopardize the structural integrity of the item.

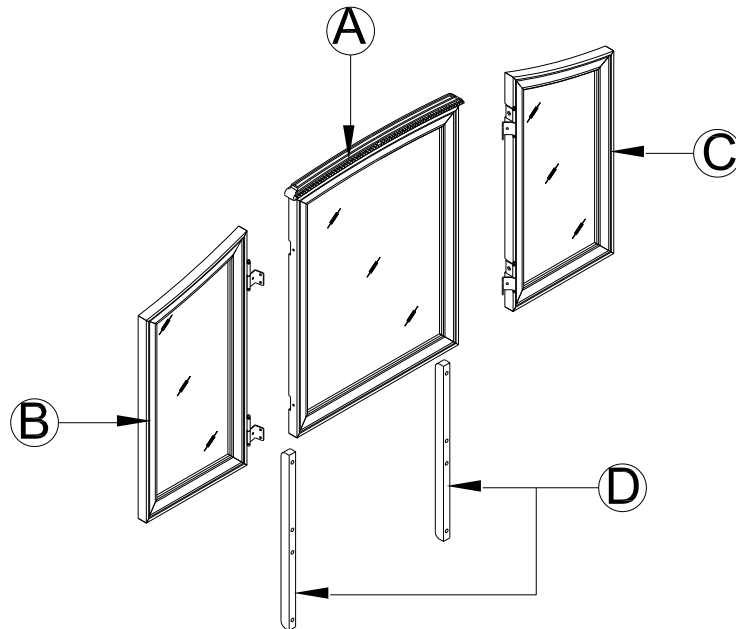
Pre-assembly:

- Remove all parts and hardware from the box. Place all items on a carpeted or scratch-free work surface, as this will avoid damaging parts during assembly. The shipping box provides an ideal work surface.
- To avoid accidentally discarding small parts or hardware, do not dispose any packaging or contents of the shipping carton until assembly is complete.
- Use the parts and hardware lists below to identify and separate each of the pieces included.
- The illustrations provided allow for easier assembly when used in conjunction with the assembly instructions.
- The use of power tools to aid in assembly is not recommended. Power tools can damage the hardware and split the wood.

Parts Included:

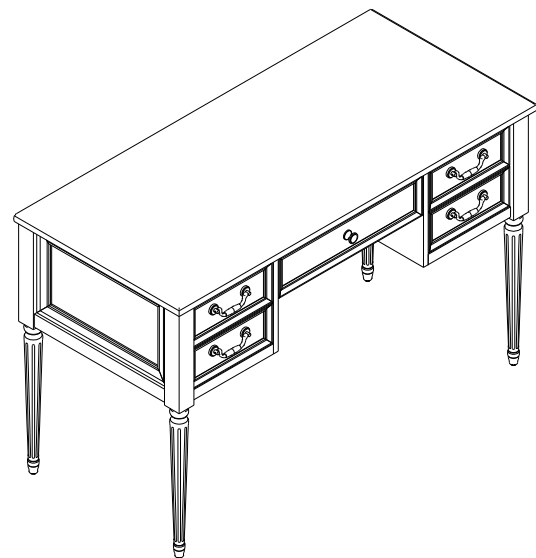
Blythe Mirror Vanity Desk Topper(x1)

- (A) Middle Mirror (x1)
- (B) Left Mirror (x1)
- (C) Right Mirror (x1)
- (D) Supports (x2)

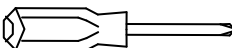


Blythe Desk (x1)

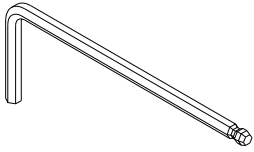
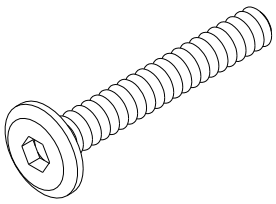
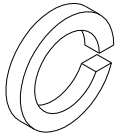
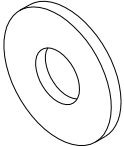
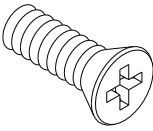
NOTE: This desk is SOLD SEPARATELY



Tools Required:

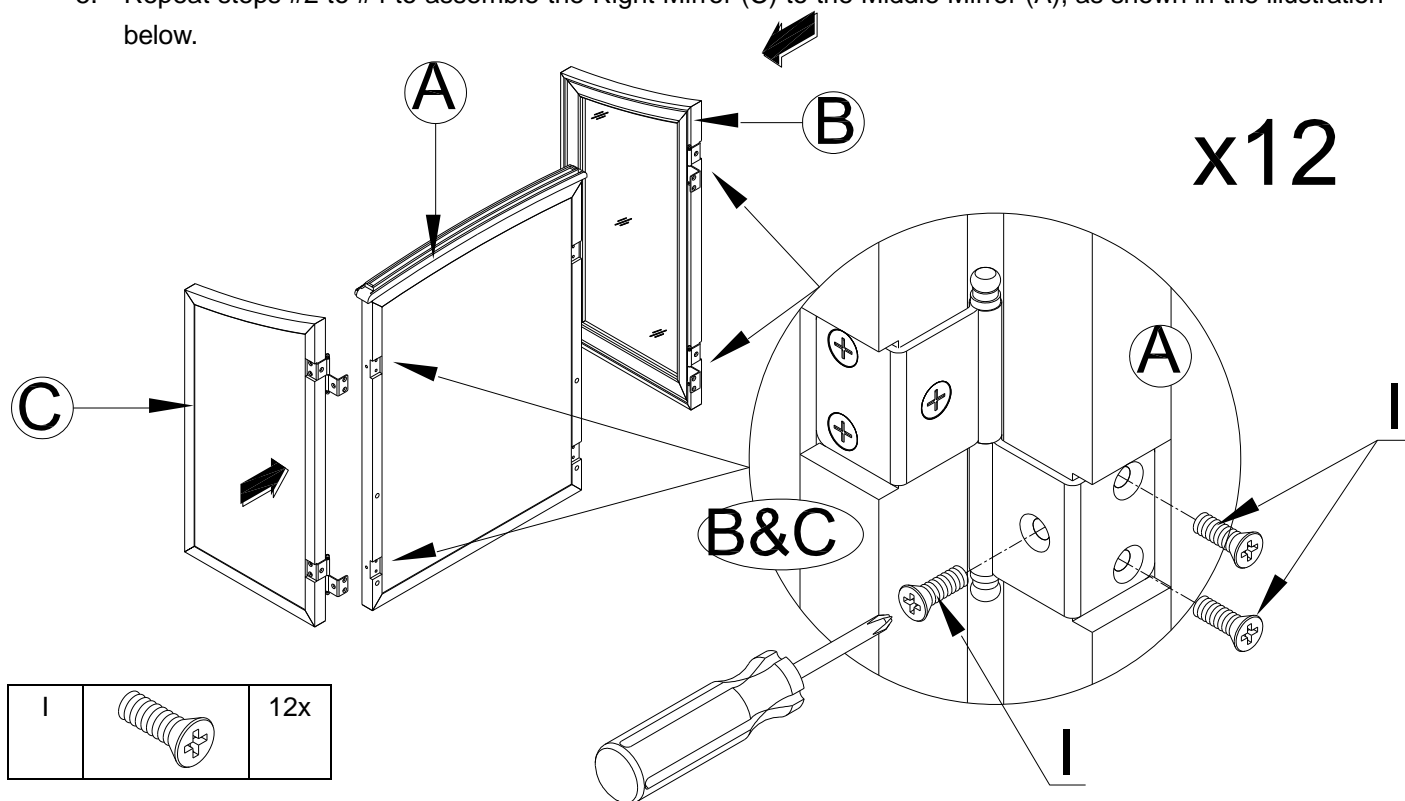
Phillips Head Screwdriver (not included) 

Hardware Included:

<p>(E) – Ball Tip Allen Key 4x95x30mm (x1)</p> 	<p>(F) – Allen Bolt 1/4"x38x13mm (x8)</p> 	<p>(G) – Spring Washer 1/4x10x1.5mm (x8)</p> 
<p>(H) – Flat Washer 1/4x12x1.5mm (x8)</p> 	<p>(I) – Machined Screw 5/32x13mm (x12)</p> 	

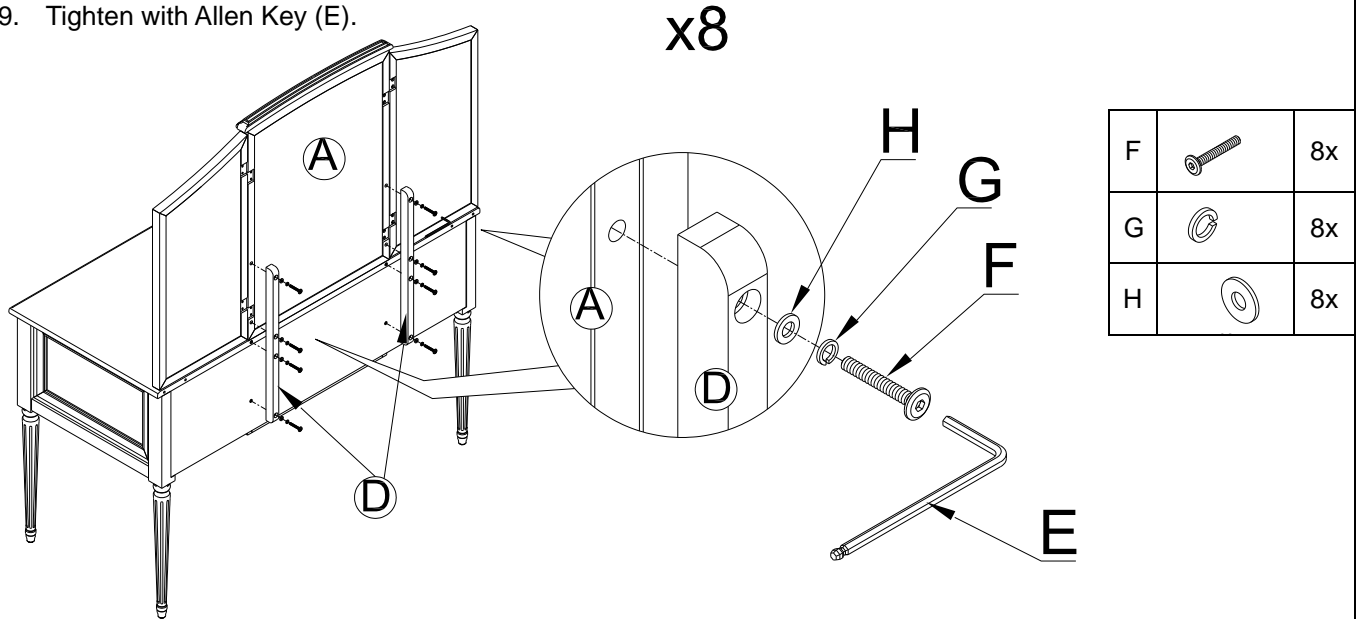
Assembly Instruction Steps:

1. Place the Middle Mirror (A) on the carpet or the foam from inside the shipping box.
2. Attach the Left Mirror (B) to the Middle Mirror (A) by aligning the pre-drilled holes on the Left Mirror's hinge, with the pre-inserted nuts on the side of the Middle Mirror, as seen in the illustration below.
3. Insert 6 Machined Screws (I) through the pre-drilled holes on the hinge and into the pre-inserted nuts, as shown below.
4. Slowly tighten the Machined Screws (I) with a Philips Head Screwdriver. (Not included)
5. Repeat steps #2 to #4 to assemble the Right Mirror (C) to the Middle Mirror (A), as shown in the illustration below.

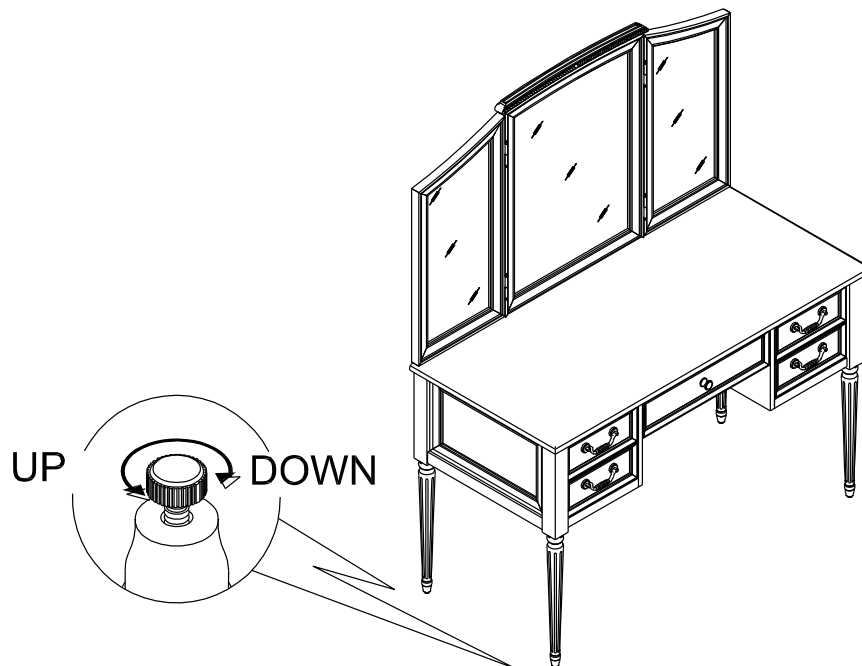


6. Carefully place the Blythe Vanity Topper on the back rear of the Blythe Desk (**SOLD SEPARATELY**). Make sure the topper doesn't scratch or damage the surface of the Desk.
7. Attach the 2 Supports (D) to the back of Middle Mirror (A) and the Blythe Desk by aligning the pre-drilled holes on the Supports (D), with the pre-inserted nuts on the back of the Middle Mirror and Blythe Desk, as seen in the illustration below.

8. Insert 8 sets of: Flat Washer (H), Spring Washer (G), and Allen Bolt (F) through the pre-drilled holes on the Supports and into the pre-inserted nuts, as seen in the illustration below.
9. Tighten with Allen Key (E).



10. If needed, adjust the levelers underneath the bottom legs (up or down) to keep the whole set level, as seen below.



11. **NOTE:** Installation of the Anti Tip Kit is **REQUIRED**. Please follow the separate instructions to secure the Desk to the Wall, by using the tipping-restraint kit included.

Care Instructions:

- Dust often using a clean, soft, dry, and lint-free cloth.
- Blot spills immediately and wipe with a clean, damp cloth.
- We do not recommend the use of chemical cleansers, abrasives, or furniture polish on our lacquered finish.
- Hardware may loosen over time. Periodically check to make sure all connections are tight. Re-tighten if necessary.

Thank you for your purchase
 Stores | catalog | www.potterybarnkids.com
 USA 1.800.290.8181