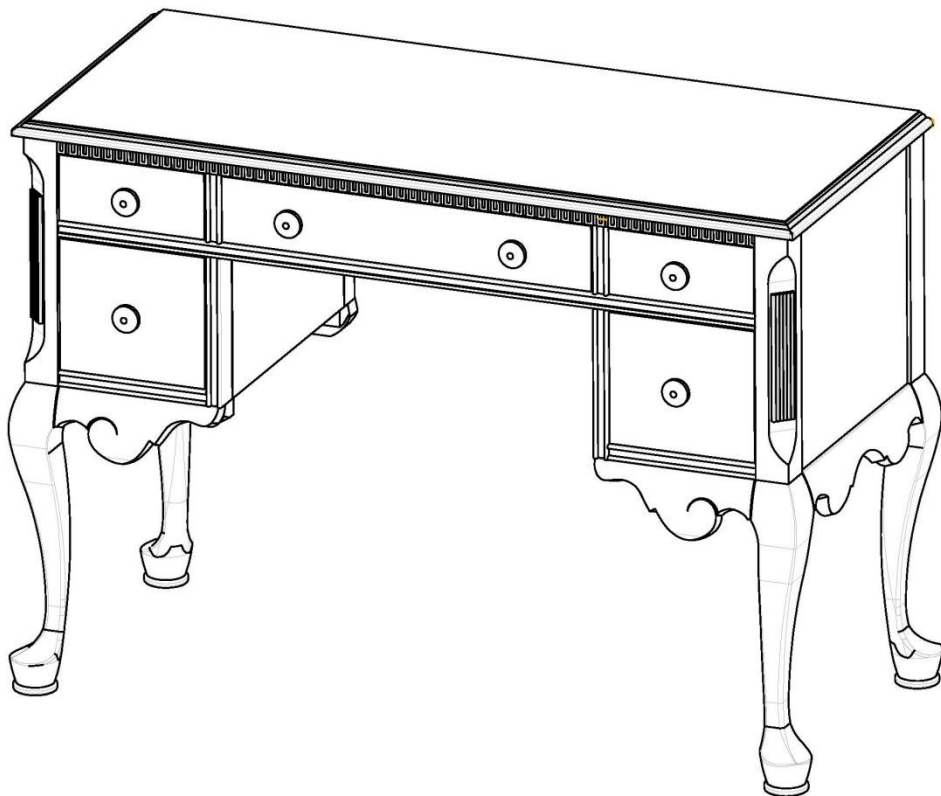


# pottery barn kids

## HAILEY WRITING DESK

### ASSEMBLY INSTRUCTIONS



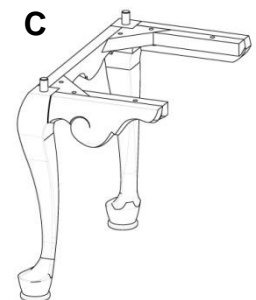
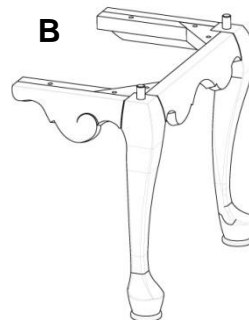
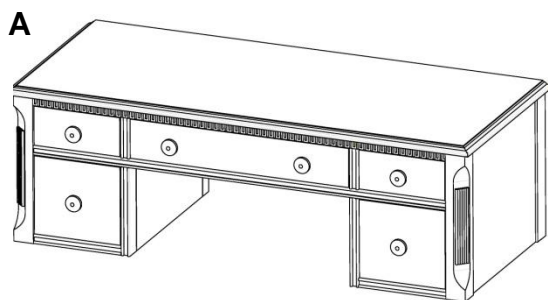
**Important Safety Instructions:**

- Please read all instructions carefully before assembling.
- For your safety, assembly by two or more adults is strongly recommended.
- Keep instructions for future use.
- Use only vendor supplied hardware to assemble. Using unauthorized hardware could jeopardize the structural integrity of the item.
- Note: Do not fully tighten all bolts until all parts are in place. Failure to follow these instructions may cause the bolts to misalign during assembly.
- NOTE: USE THE ANTI-TIP KIT PROVIDED TO SAFELY SECURE YOUR PRODUCT (S). FOLLOW THE INSTRUCTIONS PROVIDED TO PREVENT SERIOUS INJURY FROM TIPPING FURNITURE.

**Pre-assembly:**





- Remove all parts and hardware from the box and lay out on a clear carpeted or scratch-free work surface, as this will avoid damaging parts during assembly. The shipping box provides an ideal work surface.
- Do not dispose of any packaging or contents of the shipping carton until assembly is completed to avoid accidentally discarding small parts or hardware.
- Use the parts and hardware lists below to identify and separate each of the pieces included.
- The illustrations provided allow for easier assembly when used in conjunction with the assembly instructions.
- The use of power tools to aid in assembly is not recommended. Power tools can damage hardware and split wood.

**Parts Included:**

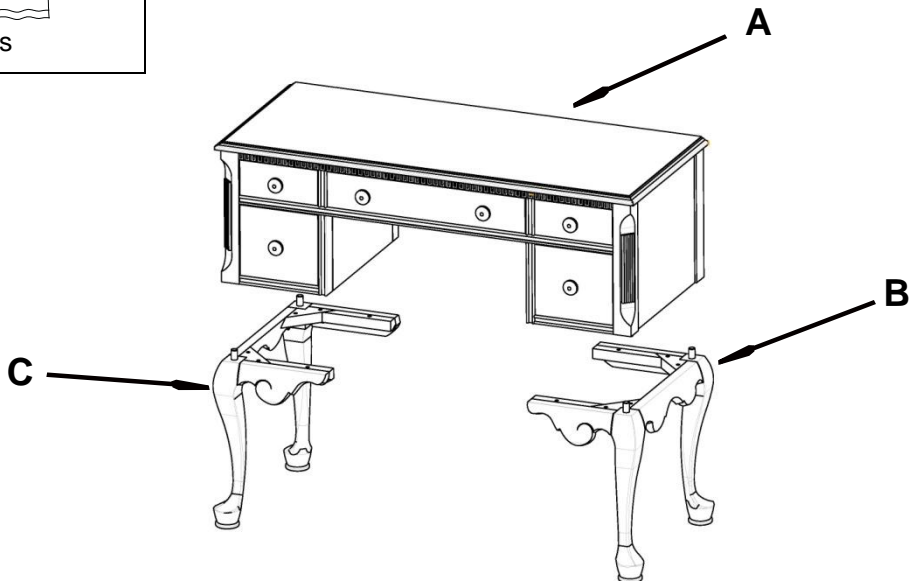
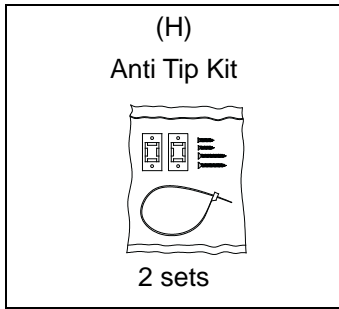


- (A) Desk Top 1 pc
- (B) Right Leg 1 pc
- (C) Left Leg 1 pc

**Hardware Included:**

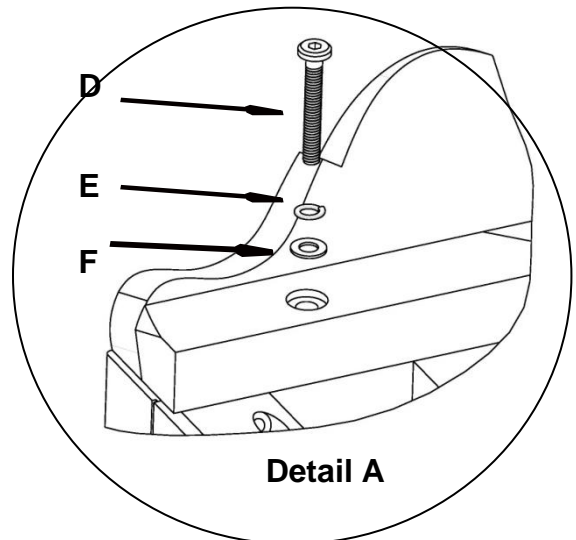
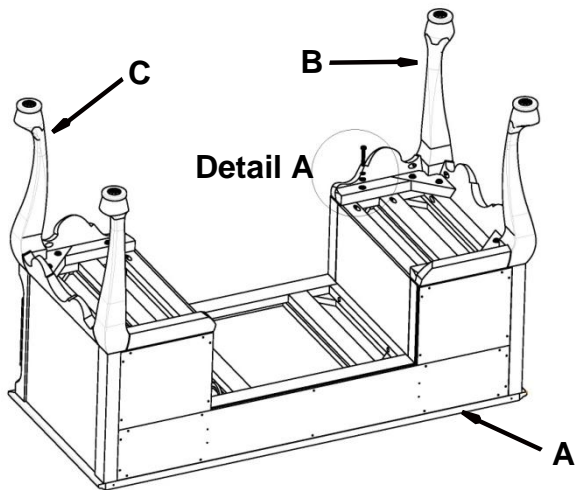
<p>(D) Allen Bolt</p>  <p>M6 x 45 mm 12x</p>	<p>(E) Flat Washer</p>  <p>12x</p>	<p>(F) Spring Washer</p>  <p>12x</p>	<p>(G) Allen Wrench</p>  <p>1x</p>
---	---	--	---





**Assembly Instruction Steps:**

1. Lay Desk Top (A), upside down on a clean, soft surface. Attach Right Leg (B) and Left Leg (C) and secure with Flat Washer (F), Spring Washer (E) and Allen Bolts (D). Tighten using Allen Wrench (G). (See **Detail A**)



**Care Instructions:**

- Dust often using a clean, soft, dry and lint-free cloth.
- Blot spills immediately and wipe with a clean, damp, cloth.
- We do not recommend the use of chemical cleansers, abrasives or furniture polish on our lacquered finish.
- Hardware may loosen over time. Periodically check to make sure all connections are tight.
- Re-tighten if necessary.