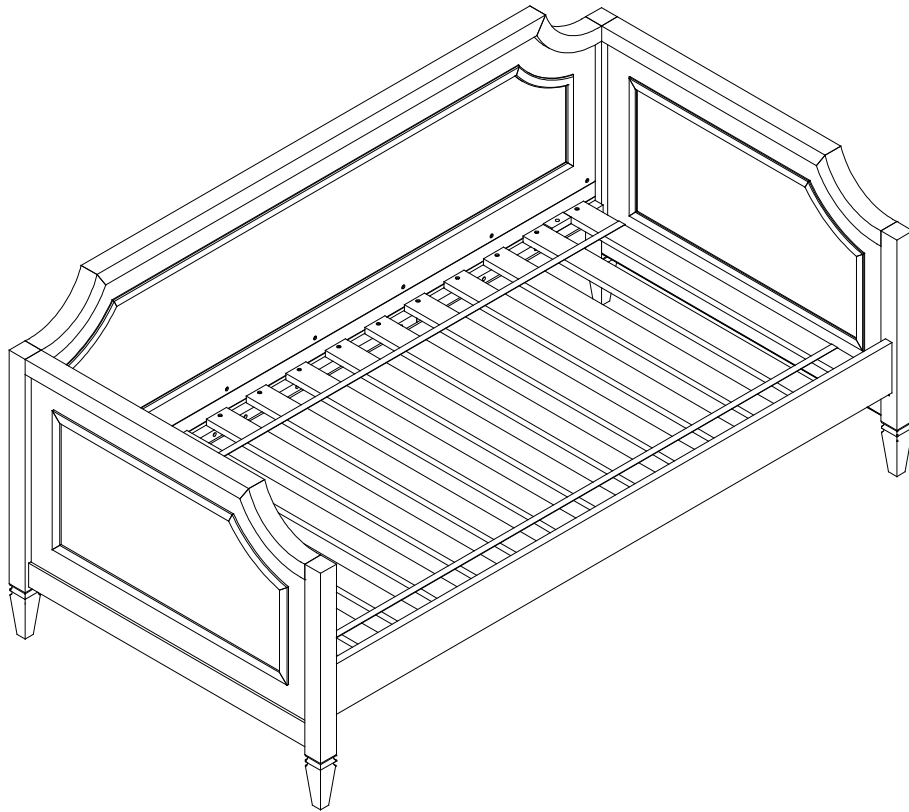


pottery barn kids



AVA REGENCY DAYBED

www.potterybarnkids.com

Important Safety Instructions:

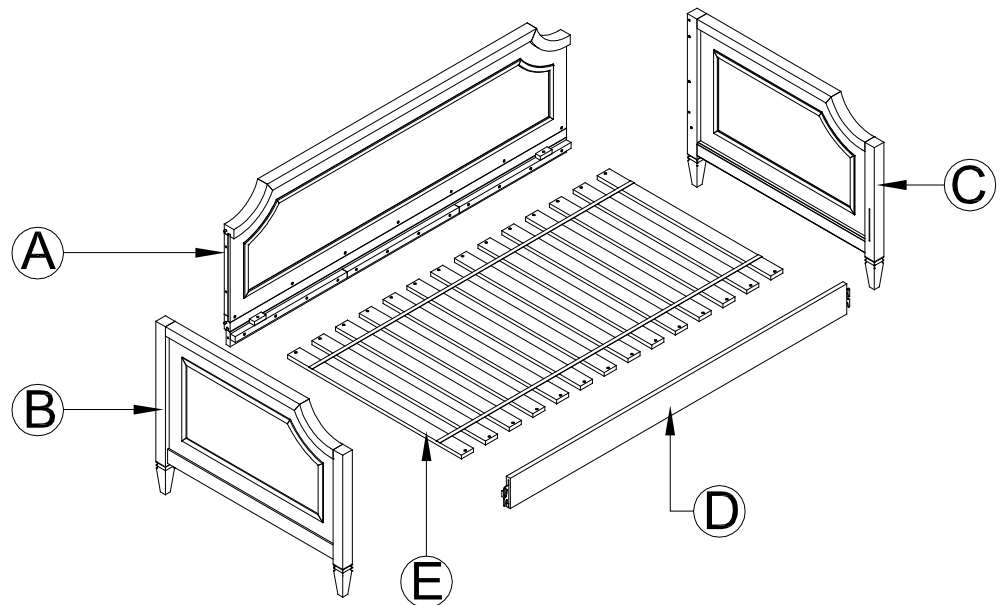
- Please read all instructions carefully before assembling.
- For your safety, assembly by two or more adults is strongly recommended.
- Keep instructions for future use.
- Use only vendor supplied hardware to assemble. Using unauthorized hardware could jeopardize the structural integrity of the item.

Pre-assembly:

- Remove all parts and hardware from the box and lay out on a clear carpeted or scratch-free work surface, as this will avoid damaging parts during assembly. The shipping box provides an ideal work surface.
- Do not dispose of any packaging or contents of the shipping carton until assembly is completed to avoid accidentally discarding small parts or hardware.
- Use the parts and hardware lists below to identify and separate each of the pieces included.
- The illustrations provided allow for easier assembly when used in conjunction with the assembly instructions.
- The use of power tools to aid in assembly is not recommended. Power tools can damage hardware and split wood.

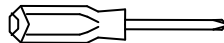
Parts Included:

- (A) Back Panel (x1)
- (B) Left Side Panel (x1)
- (C) Right Side Panel (x1)
- (D) Side Rail (x1)
- (E) Slat Roll (x1)

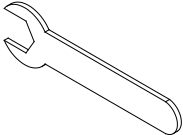
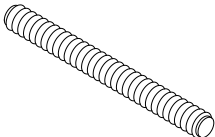
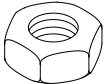
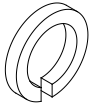


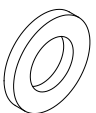
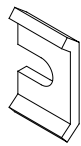
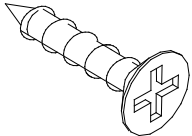
Tools Required:

Phillips head screwdriver (not included)



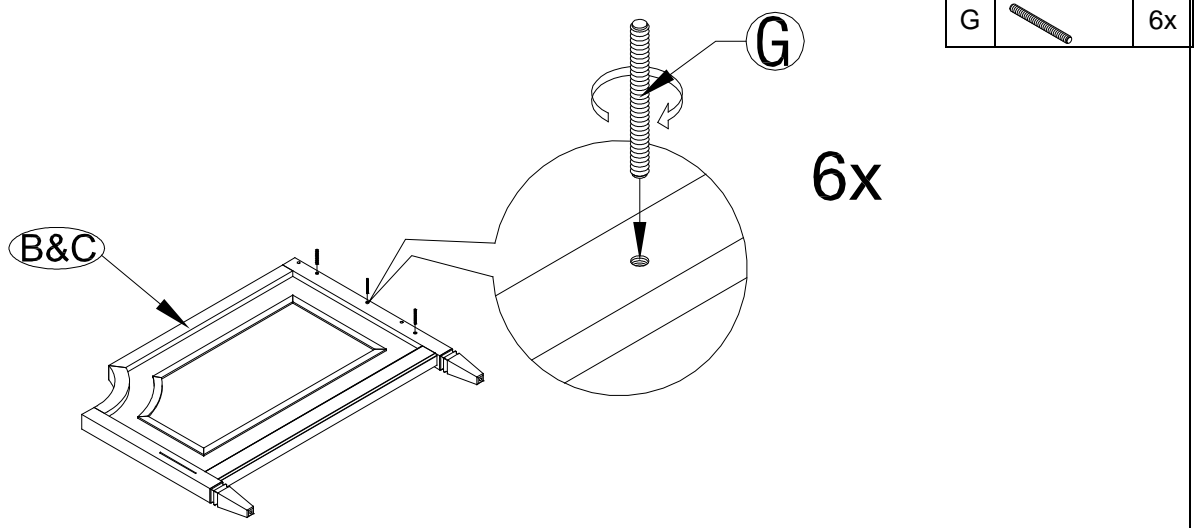
Hardware Included:

(F) Wrench 88 x 10 x 2mm – 1x 	(G) Hanger Bolt 1/4" x 55mm – 6x 	(H) Nut 1/4" x 9.8 x 4.2mm – 6x 	(I) Spring Washer 1/4" x 10 x 1.5mm – 6x 
---	--	---	---

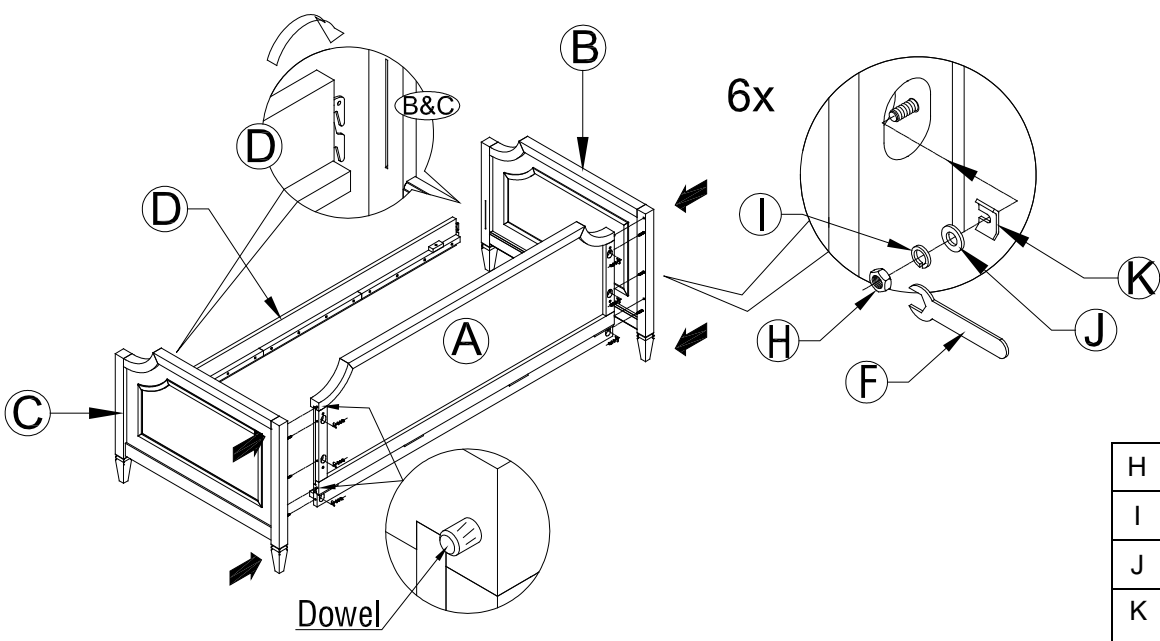
<p>(J) Flat Washer 1/4"x12x1.5mm -6x</p> 	<p>(K) C Washer 1/4" x 26 x 15 x 2mm - 6x</p> 	<p>(L) Phillips Head screw 8 x 30mm – 28x</p> 
--	---	--





Assembly Instruction Steps:

1. Place Left and Right Side Panels (B&C) on a soft, scratch-free surface such as a rug or carpet.
2. Thread the 6 Hanger Bolts (G) into the insert nuts of the Left and Right Side Panels (B&C).

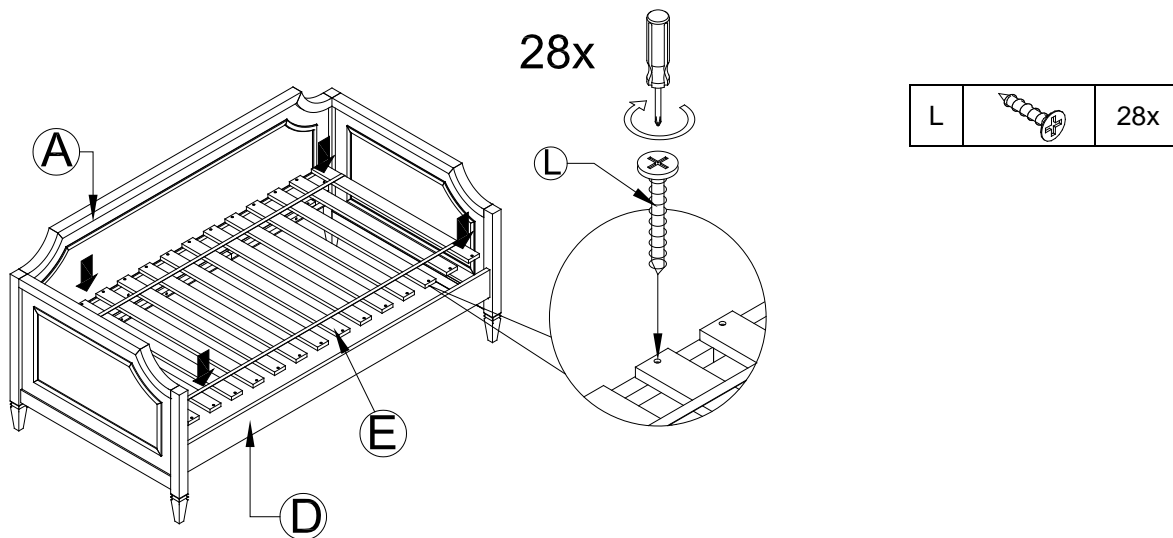


3. Attach Back Panel (A) to Left and Right Side Panels (B&C) by aligning pre-installed wooden dowels and pre-drilled holes on Back Panel with the installed Hanger Bolts (G) and pre-drilled holes on post of Side Panels.
4. Insert 6 C Washers (K), Flat Washers (J), Spring Washers (I) and Nut (H) into Hanger Bolts (G), tighten loosely with Wrench (F) as seen below.
5. Attach Side Rail (D) to Left and Right Side Panels (B&C) by hooking the end of the Side Rail into the slots and applying downward force until they are fully in place.

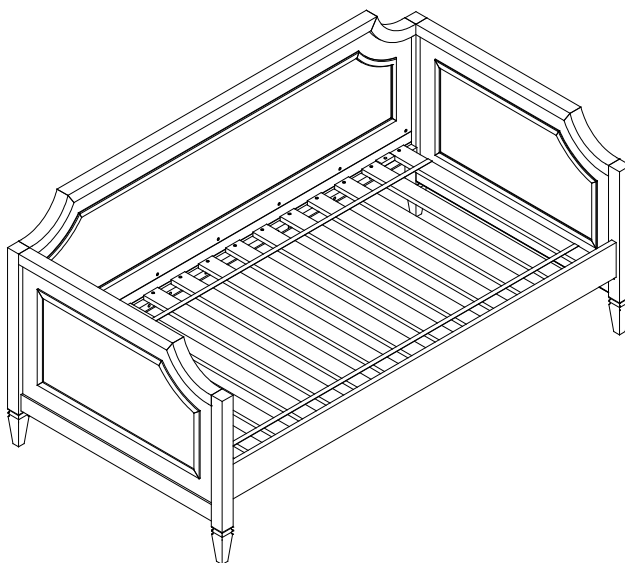


H		6x
I		6x
J		6x
K		6x

6. Place the slat roll (E) in between (A&D) as seen in illustration below.
7. Secure the slats with (28x) Phillips Head Screw (L) through the hole at the end of the slat and into the Side rail and Back panel as seen in illustration below.
8. Loosely tighten with a Phillips Head Screwdriver (Not included).
9. Tighten all bolts and screws to make sure all are tight and bed structure is rigid.
10. It is recommended all screws be checked from time to time for safety as the hardware may loosen over time.



11. Assembly is complete.



Care Instructions:

- Dust often using a clean, soft, dry and lint-free cloth.
- Blot spills immediately and wipe with a clean, damp, cloth.
- We do not recommend the use of chemical cleansers, abrasives or furniture polish on our lacquered finish.
- Hardware may loosen over time. Periodically check to make sure all connections are tight. Re-tighten if necessary.

Thank you for your purchase
 Stores | catalog | www.potterybarnkids.com
 USA 1.800.290.8181