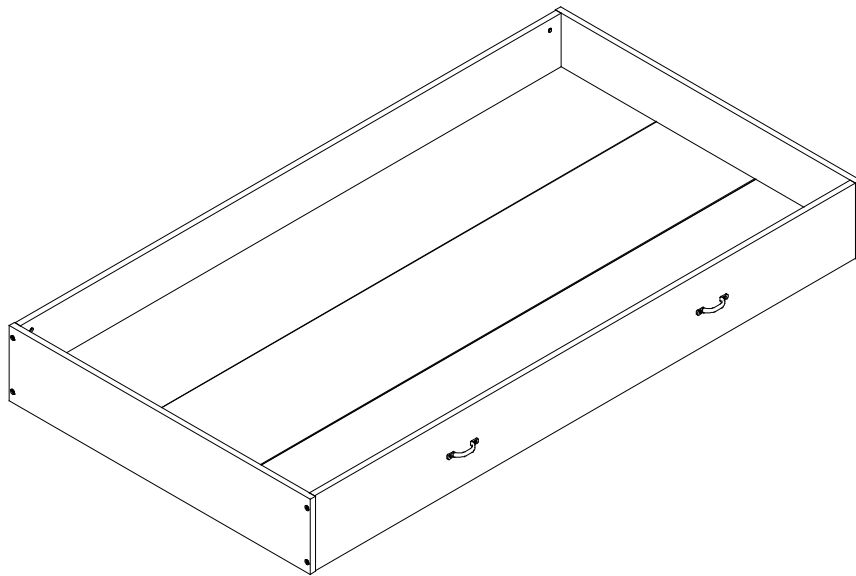


pottery barn kids



RORY TRUNDLE

www.potterybarnkids.com

IMPORTANT SAFETY INSTRUCTIONS:

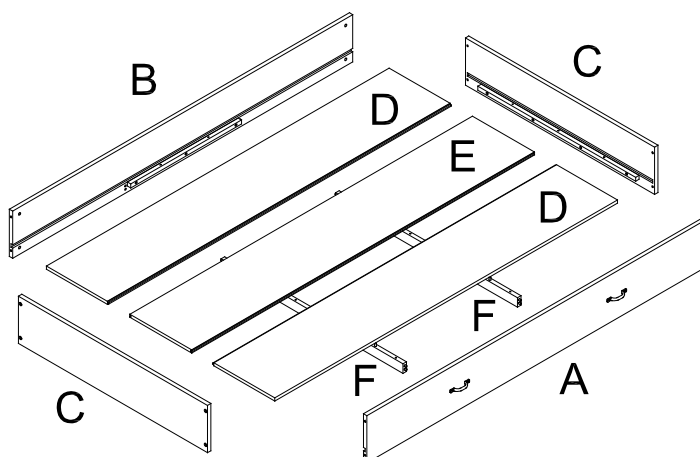
- Please read all instructions carefully before assembling this Trundle.
- For your safety, assembly by two or more adults is strongly recommended.
- Keep these instructions for future use.
- Use only vendor-supplied hardware to assemble this item. Using unauthorized hardware could jeopardize the structural integrity of the item.

PRE-ASSEMBLY:

- Remove all parts and hardware from the box. Place all items on a carpeted or scratch-free work surface, as this will avoid damaging parts during assembly. The shipping box provides an ideal work surface.
- To avoid accidentally discarding small parts or hardware, do not dispose of any packaging or contents of the shipping carton until assembly is complete.
- Use the parts and hardware lists below to identify and separate each of the pieces included.
- The illustrations provided allow for easier assembly when used in conjunction with the assembly instructions.
- The use of power tools to aid in assembly is not recommended. Power tools can damage the hardware and split the wood.

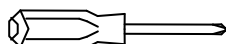
PARTS INCLUDED:

- (A) Front Long Side Panel (x1)
- (B) Back Long Side Panel (x1)
- (C) Short Side Panel (x2)
- (D) Side Bottom Board With Protruding Edge (x2)
- (E) Middle Bottom Board With Sunken Edge (x1)
- (F) Bottom Board Support (x2)

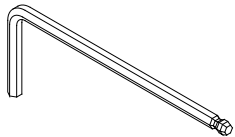
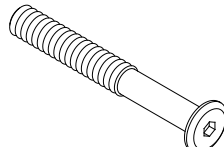
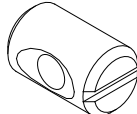
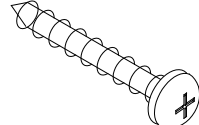
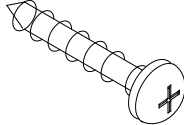
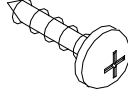
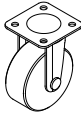


TOOLS REQUIRED:

Phillips Head Screwdriver (not included)

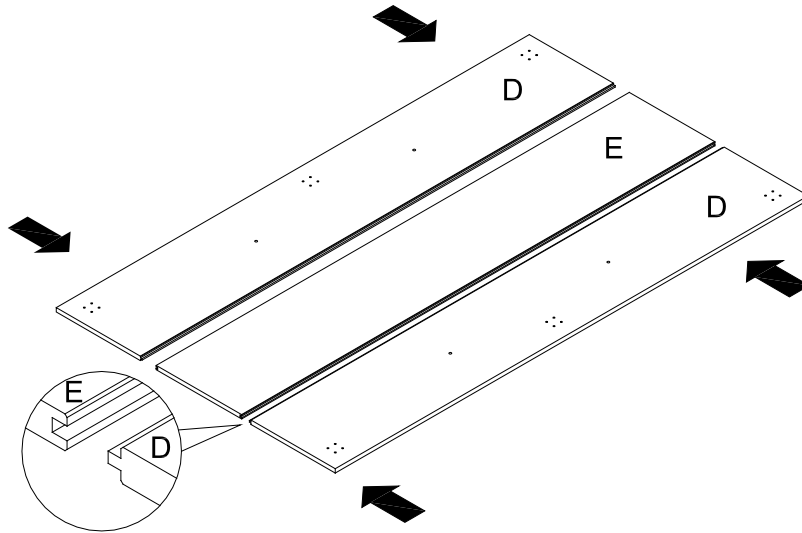


HARDWARE INCLUDED:

<p>(G) Allen Key - 1x</p> 	<p>(H) Allen Bolt 1/4" x 63 x 13mm - 8x</p> 	<p>(I) Barrel Nut 1/4" x 11 x 10mm - 8x</p> 	<p>(J) Pan Head screw 8 x 38mm - 12x</p> 
<p>(K) Pan Head screw 8 x 25mm - 10x</p> 	<p>(L) Small Pan Head screw 8 x 12mm - 24x</p> 	<p>(M) Caster- 6x</p> 	

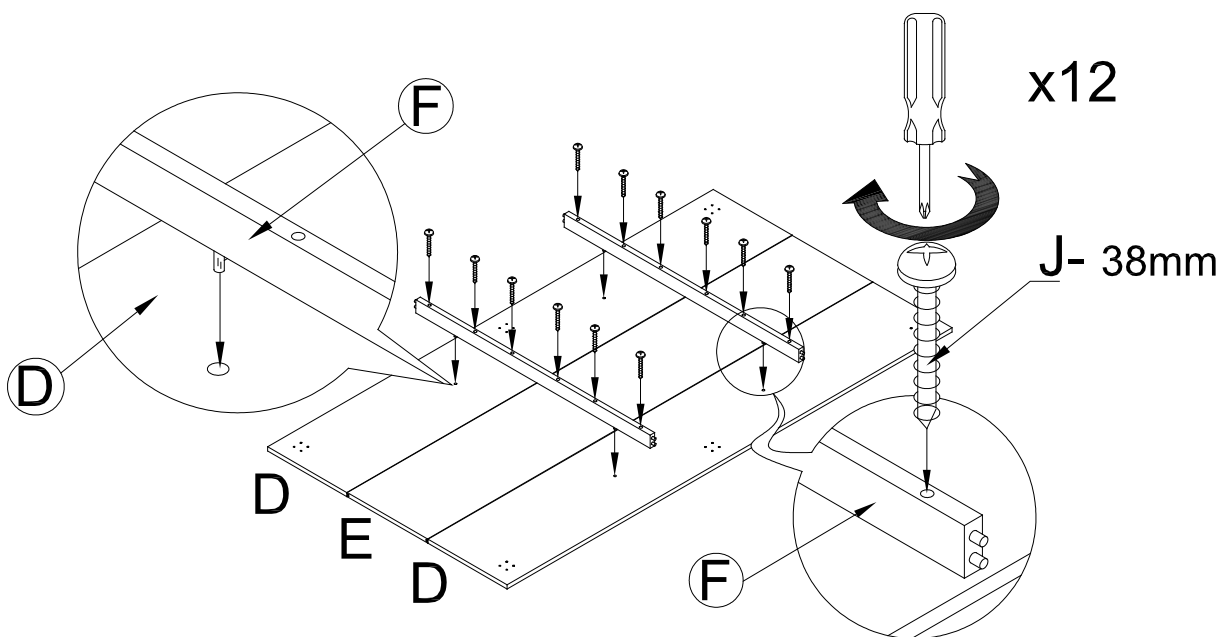
ASSEMBLY INSTRUCTION STEPS:

1. On a clear surface, place the 2 Side Bottom Boards (D) with the pre-drilled holes facing upward, as seen in the illustration below.
2. Slot the protruding edges of the Side Bottom Boards (D) into the grooved edges of the Middle Bottom Board (E), as seen in the illustration below.

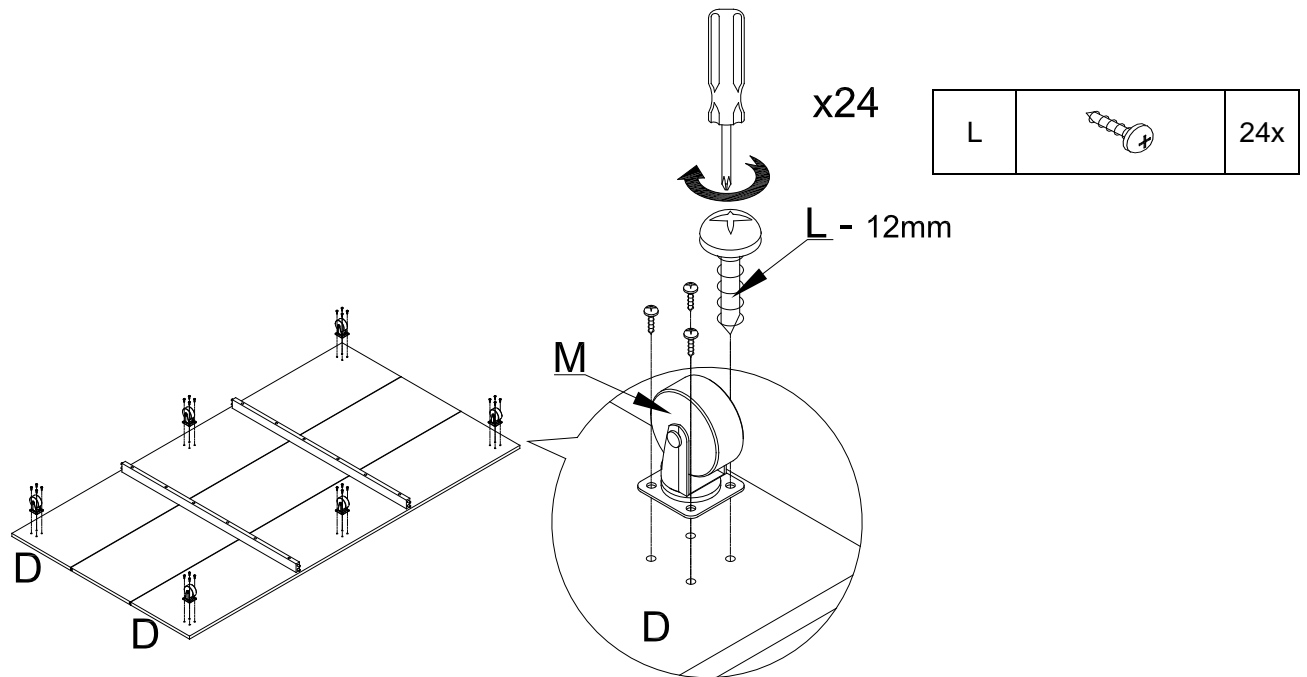


3. Align the pre-installed wooden dowels on the Bottom Board Support (F), with the pre-drilled holes at the bottom of the 2 Side Bottom Boards (D), as see below.
4. Insert 12 Screws (J) through the pre-drill holes on Bottom Board Support (F) and into the Bottom Boards (D&E), as seen in the illustration below.
5. Gently tighten the Screws (J) with a Philips Head Screwdriver (Not included). **Do not over tighten.**

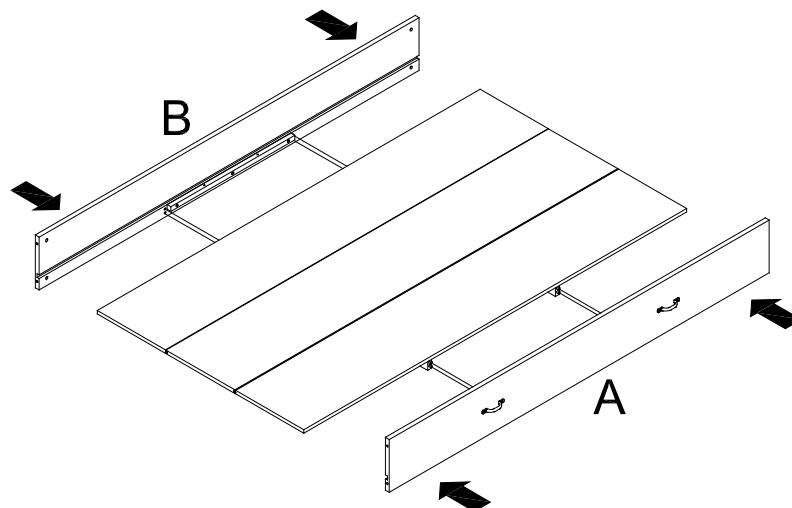
J		12x
---	---	-----



6. Secure the 6 Casters (M) to the Side Bottom Boards (D) by inserting 24 Small Pan Head Screws 8x12mm (L) through the holes on the Casters (M) and into the pre-drilled holes on the Bottom Panels.
7. Gently tighten the 24 Screws (L) with a Philips Head Screwdriver (Not included). **Do not over tighten.**

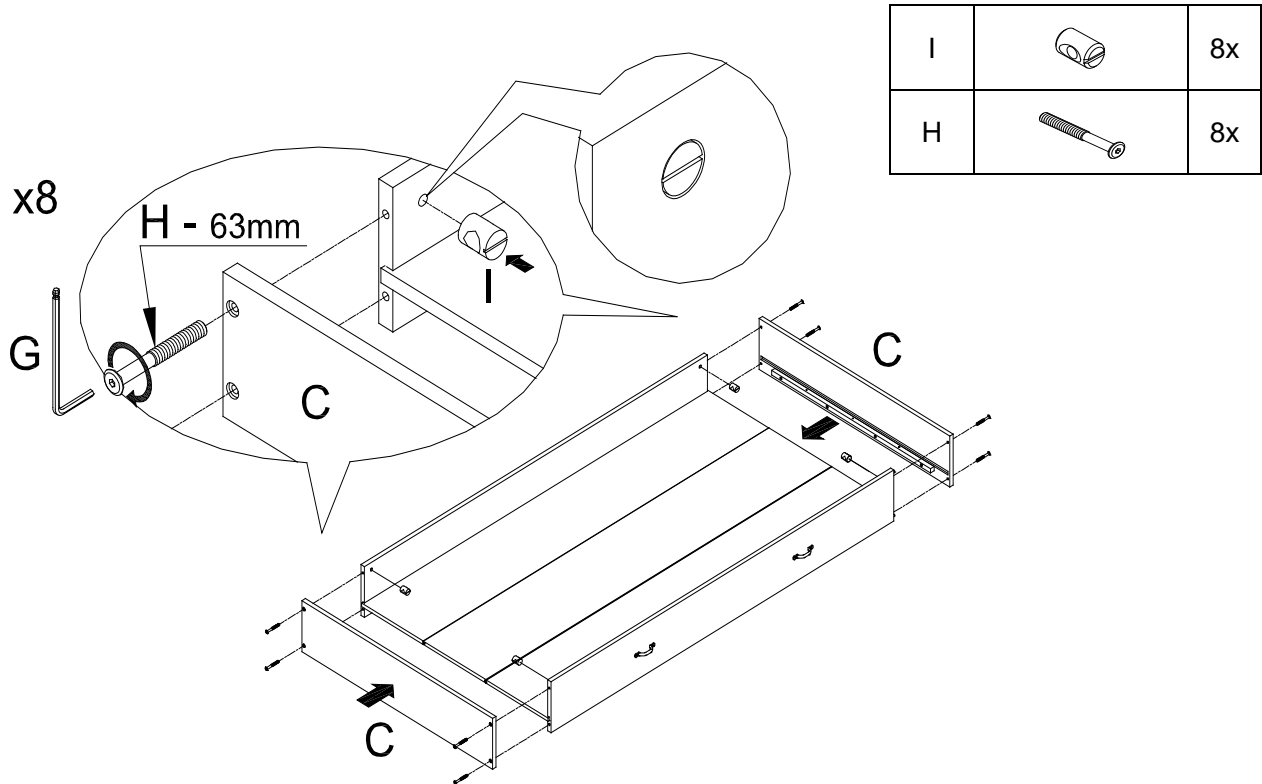


8. Turn over the assembled Bottom Boards (D&E).
9. Slot the Long Side Panels (A & B) onto the Side Bottom Boards (D), as seen below.
10. Align the pre-installed wooden dowels on the Bottom Board Support (F), with the pre-drilled holes on the Panels (A&B), as seen in the illustration below.

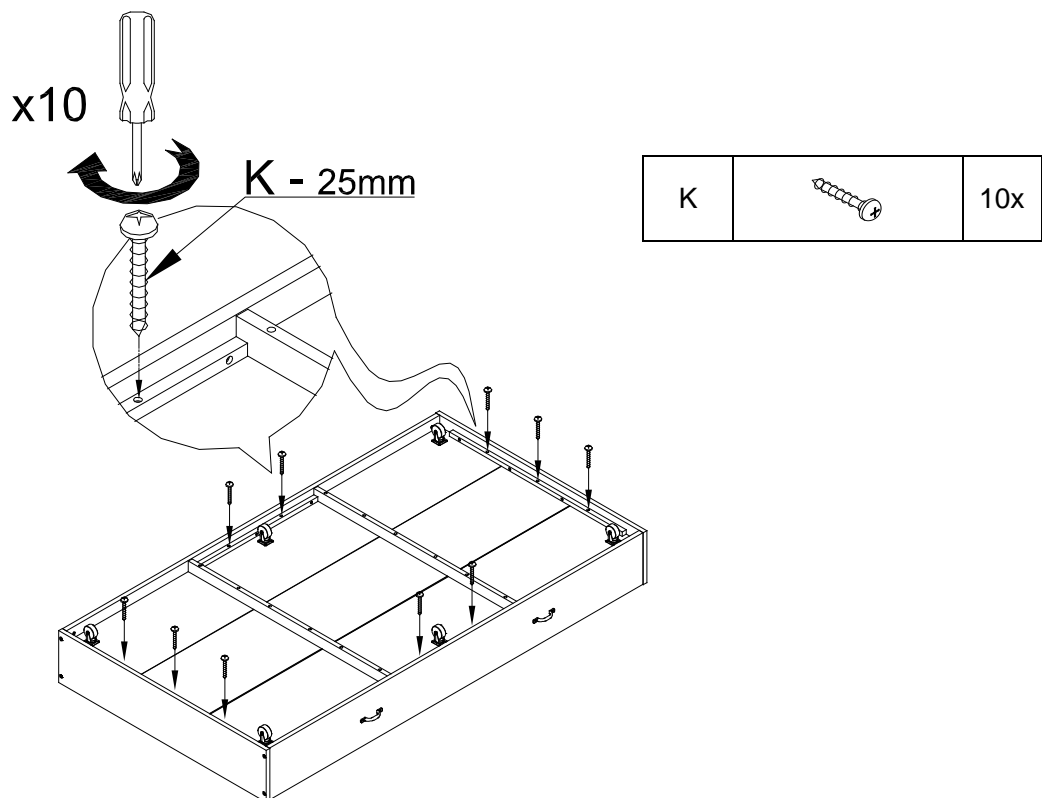


11. Place 8 Barrel Nuts (I) onto the corresponding openings of each of the Long Side Panels (A & B), as seen below.
12. Attach the 2 Short Side Panels (C) to the Long Side Panels (A & B), by aligning the pre-installed wooden dowels of the Long Side Panels with the pre-drilled holes of the Short Side Panel, as seen in the illustration below.

13. Insert 8 Allen Bolts 1/4" x 63 x 13mm (H) through the pre-drilled holes of each Short Side Panel (C) and into the 8 Barrel Nuts (I), as seen in the illustration below.
14. Secure with the supplied Allen Key (G). **Do not over tighten.**

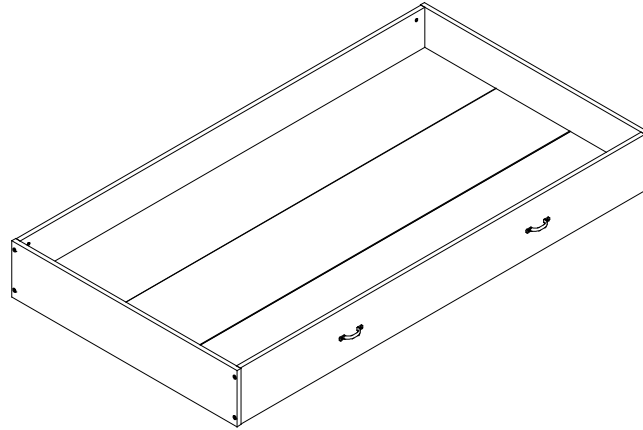


15. Carefully turn the assembled Trundle over.
16. Insert 10 Pan Head Screws 8x25mm (K) into the pre-drilled holes on the cleats of the Side Boards (A, B & C), as seen in the illustration below.
17. Gently tighten the Screws (K) with a Philips Head Screwdriver (Not included). **Do not over tighten.**



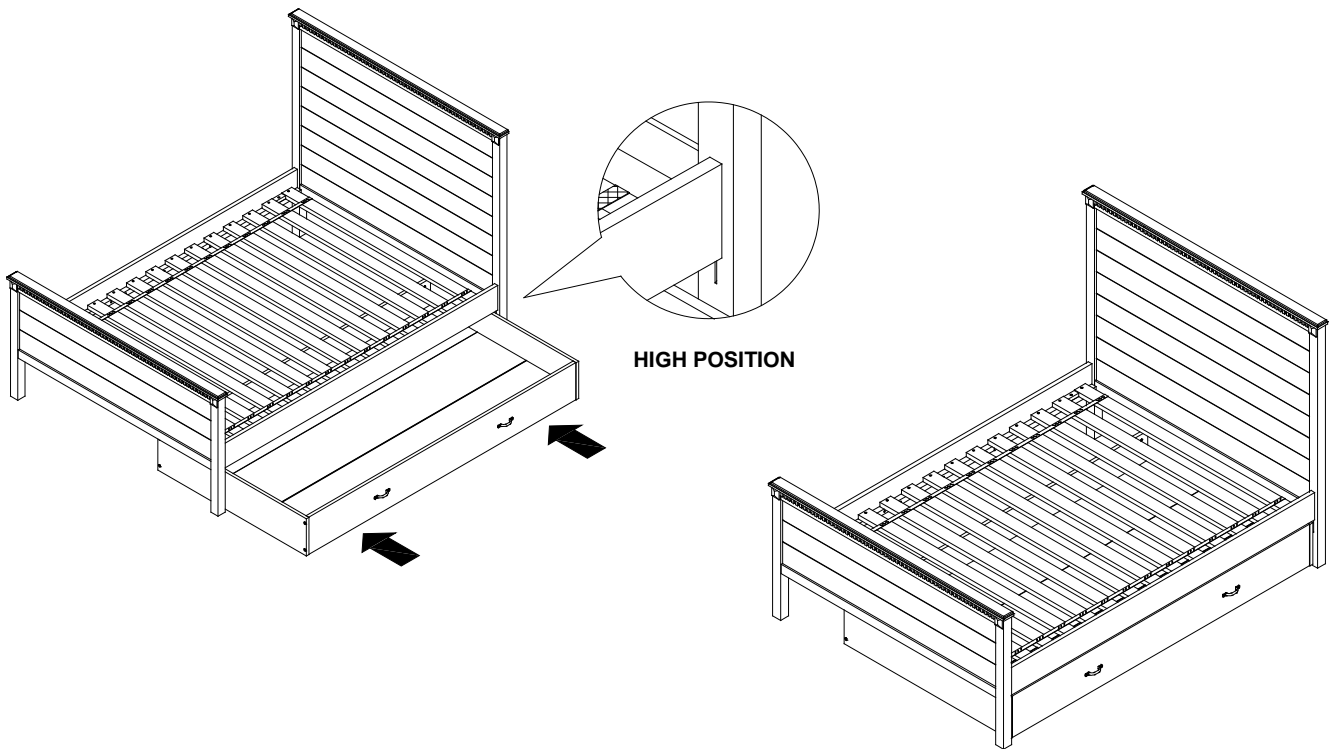
18. Check all alignments and gently tighten all connecting bolts at this time.

19. Assembly is complete.



Rory Bed (sold separately)

Note: Make sure the Side Rails of the Rory Bed are at the high position before pushing the trundle underneath.



CARE INSTRUCTIONS:

- Dust often using a clean, soft, dry, and lint-free cloth.
- Blot spills immediately and wipe with a clean, damp cloth.
- We do not recommend the use of chemical cleansers, abrasives, or furniture polish on our lacquered finish.
- Hardware may loosen over time. Periodically check to make sure all connections are tight. Re-tighten if necessary.

Thank you for your purchase
Stores | catalog | www.potterybarnkids.com
USA 1.800.290.8181