

pottery barn kids  
CATALINA COTTAGE T/F BUNK BED



**WARNING:** Failure to follow these warnings and assembly instructions could result in serious injury or death. To help prevent serious or fatal injuries from entrapment or falls:

- Read all instructions before assembling bunk bed.
- Before each usage or assembly, inspect bunk bed for damaged hardware, loose joints, missing parts or sharp edges. DO NOT use bunk bed if any parts are missing or broken. Telephone or write to Pottery Barn Kids for replacement parts and instructional literature if needed. DO NOT substitute parts.
- Follow the information on the warnings appearing on the upper bunk end structure and on the carton. DO NOT REMOVE WARNING LABEL FROM THE BED.
- Always use the recommended size mattress or mattress support, or both, to help prevent the likelihood of entrapment or falls.
- Ensure thickness of mattress does not exceed 9" and the surface of the mattress is at least 5" (127 mm) below the upper edge of guardrails.
- Use only mattress which is 74"-75" long and 37.5"-38.5" wide on upper bunk.
- Never allow children under 6 years of age to use the upper bunk.
- Periodically check and ensure that the guardrail, ladder and other components are in their proper position, free from damage, and that all connectors are tight.
- Do not allow horseplay on or under the bed and prohibit jumping on the bed.
- Prohibit more than one person on the upper bunk.
- Always use the ladder for entering and leaving the upper bunk.
- Use of a night light may provide added safety precautions for a child using the upper bunk.
- Always use guardrails on both long sides of the upper bunk. If the bunk bed will be placed next to a wall, the guardrail that runs the full length of the bed should be placed against the wall to prevent entrapment between the bed and the wall.
- The use of water or sleep flotation mattress is prohibited.
- If refinishing, use a non-toxic finish specified for children's products.
- STRANGULATION HAZARD – Never attach or hang items to any part of the bunk bed that are not designed for use with the bed; for example, but not limited to, hooks, belts, and jump ropes.

KEEP THIS INSTRUCTIONS FOR FUTURE USE.

04-000044-5

**PRE-ASSEMBLY:**

Read all instructions before beginning assembly. The illustrations provided allow for easier assembly when used in conjunction

with the assembly instructions.

For your safety and ease, assembly by two adults is recommended.

Remove all parts and hardware from the box and lay out on a clean, carpeted, or scratch-free work surface. Use care as some parts or hardware may have sharp points or edges.

Do not dispose of any contents until assembly is completed to avoid accidentally discarding small parts or hardware.

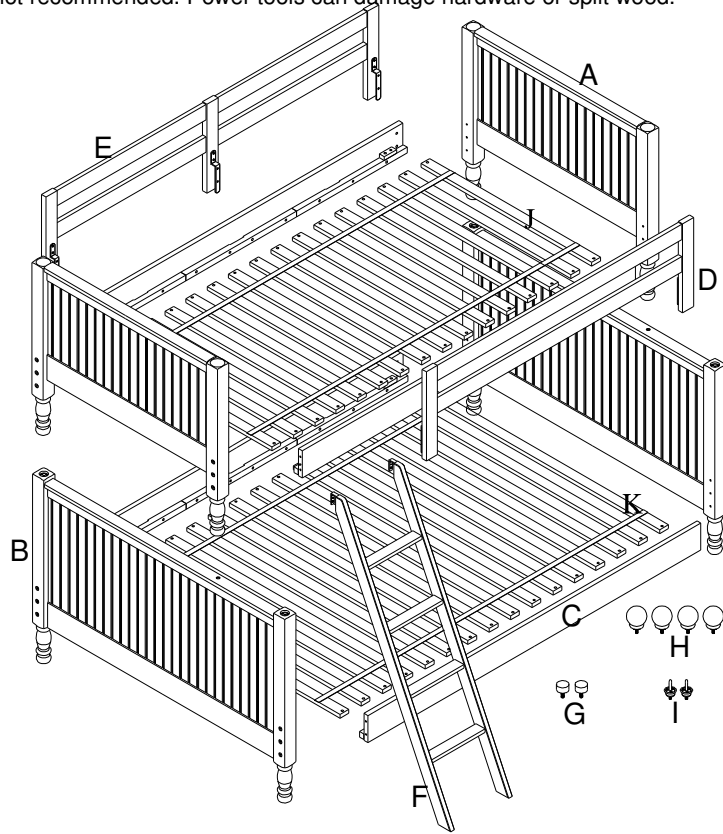
Use the parts and hardware lists to identify and separate each of the pieces included.

Note: Do not fully tighten all bolts until all parts are in place. Failure to follow these instructions may cause the bolts to misalign during assembly.

The use of power tools for assembly is not recommended. Power tools can damage hardware or split wood.

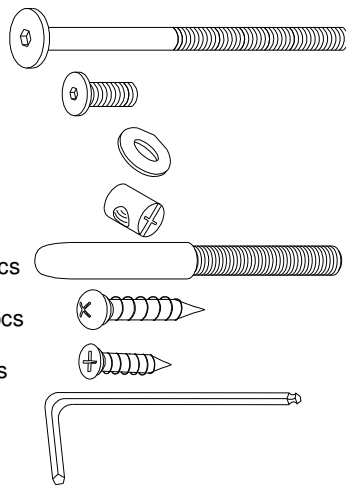
**PARTS INCLUDED:**

- (A) Upper Bed (Short) - 2pcs
- (B) Lower Bed (Long) (L/R) - 2pcs
- (C) Side Rail-4pcs
- (D) Guardrail-Short - 1pc
- (E) Guardrail-Long - 1pc
- (F) Ladder - 1pc
- (G) Small Finials - 2pcs
- (H) Finials - 4pcs
- (I) Spacer - 2pcs
- (J) Bed Slats-Short - 1sets
- (K) Bed Slats-Long - 1sets



**HARDWARE INCLUDED:**

- (L) JCBC 6 x 110mm - 16pcs
- (M) JCBC 8 x 16mm - 2pcs
- (N) Flat washer - 16pcs
- (O) Barrel Nuts - 16pcs
- (P) Ø10 x Ø8 x 100mm Iron Dowel - 2pcs
- (Q) #8 x 32mm Round Head Screw-64pcs
- (R) #8 x 19mm Flat Head Screw - 17pcs
- (S) 4mm Allen key - 1pc



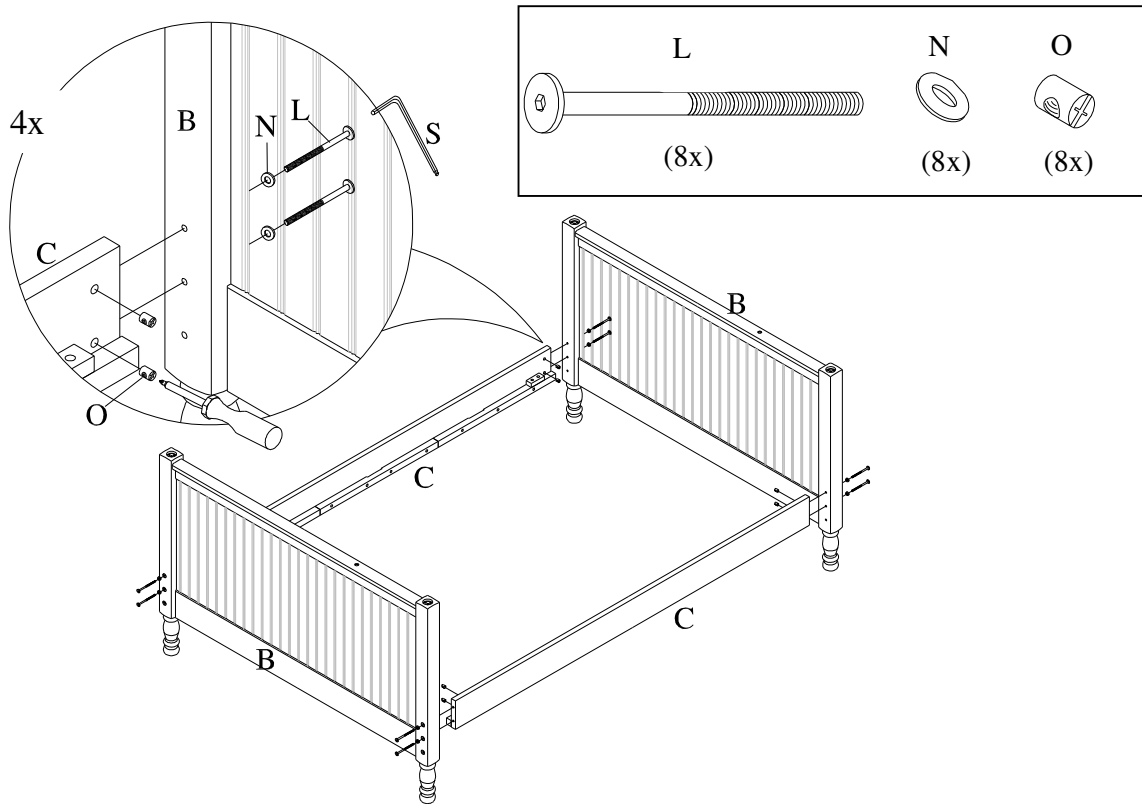
**TOOLS REQUIRED:**

Phillips head screwdriver (not included)

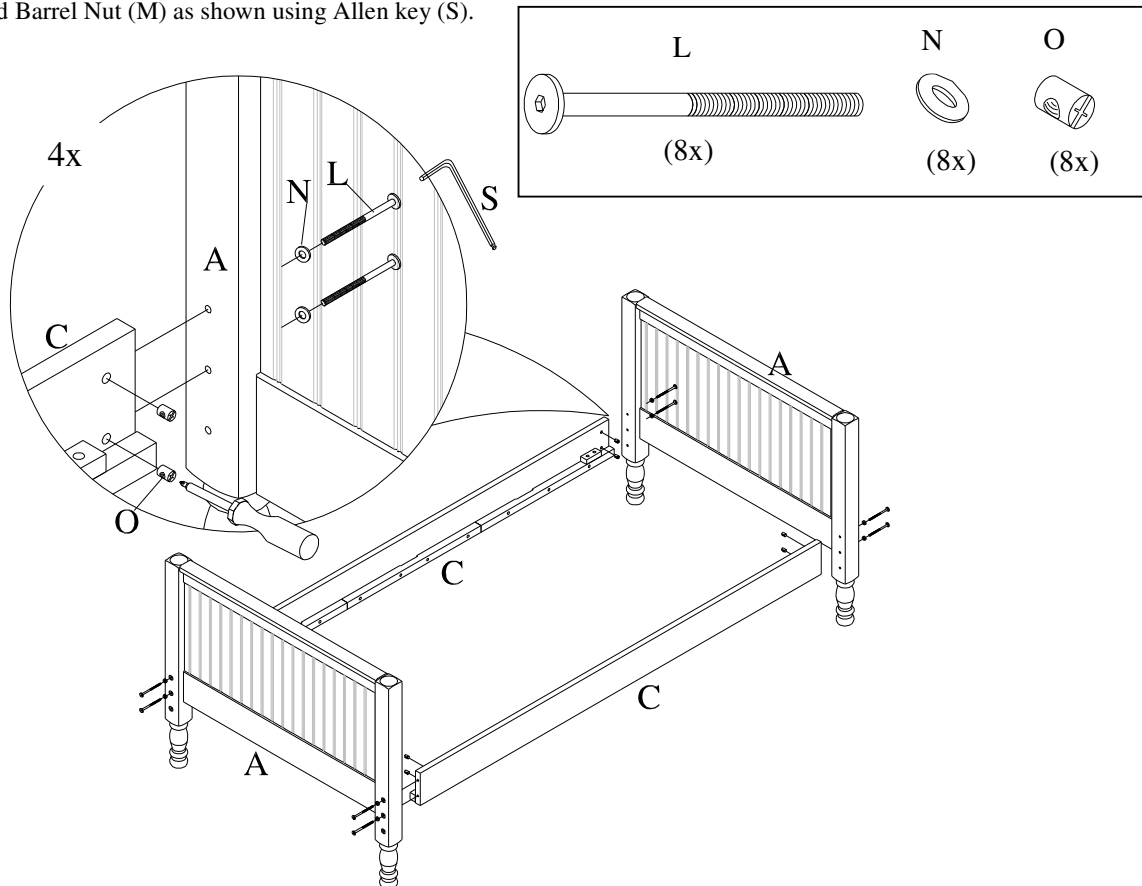


**ASSEMBLY INSTRUCTIONS:**

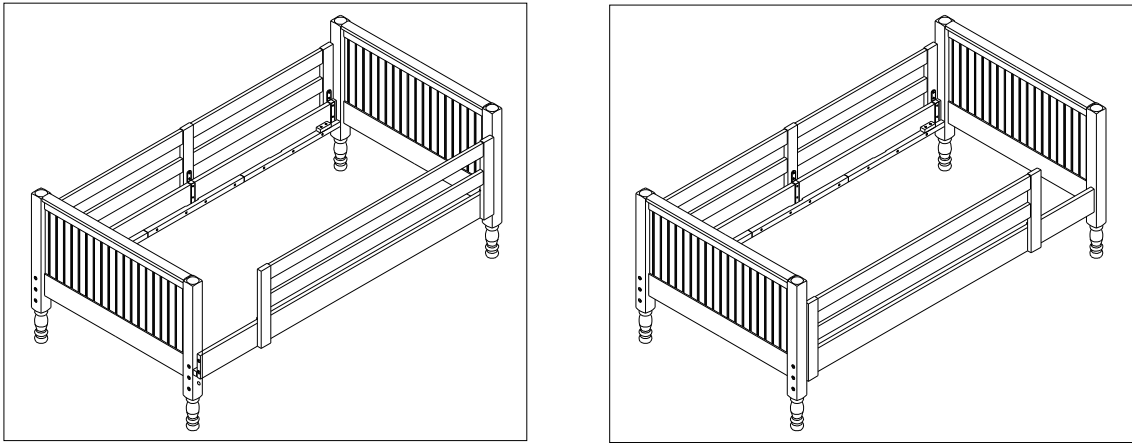
1. Assemble Lower bed ends (B) to Side rails (C) using JCBC 6 x 110mm Allen bolts (L), Flat washer (N) and Barrel Nut (M) as shown using Allen key 4mm (S).



2. Assemble upper bed using short end (A) and two side rails (C) using JCBC 6 x 110mm Allen bolts (L), Flat washer (N) and Barrel Nut (M) as shown using Allen key (S).

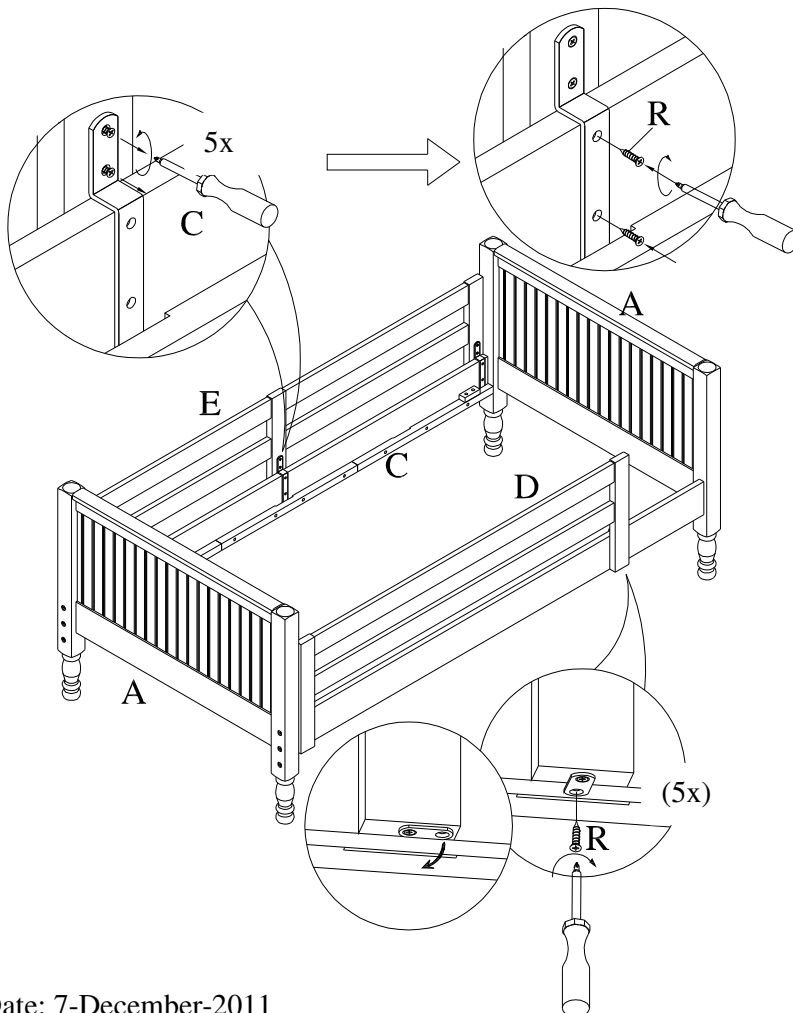
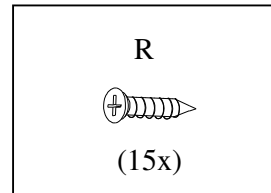


3. Determine the desired location of the ladder opening (See options below).



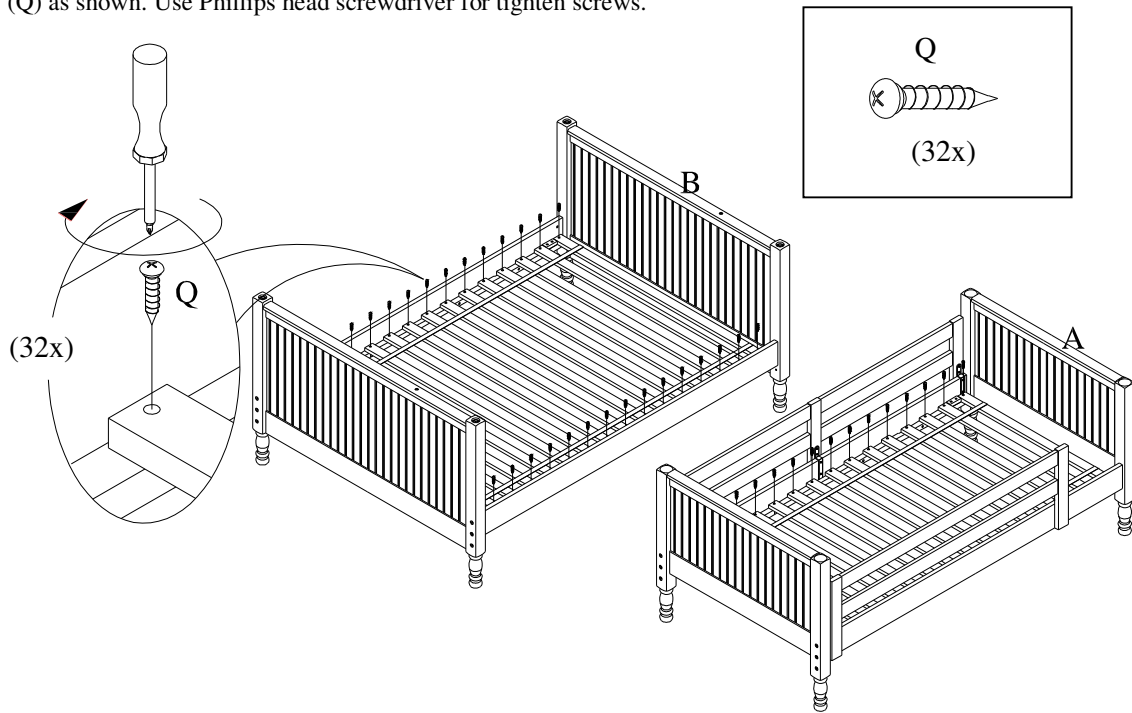
4. Fasten guardrails (D) and (E) to side rails (C) of upper bunk using Screws (R). The long guardrail goes on the back side rail of the upper bed. Make sure there is no gap in between the other end of the short guardrail (D) and the bed end structure (A) before you start screwing the brackets to the front side rail. Turn brackets on bottom of guardrails and secure to underside of bed rails as shown. Use Phillips head screwdriver for tighten screws.

Note : Attach guardrail (D) and (E) to side rail (C),  
Loosen screws at the bracket

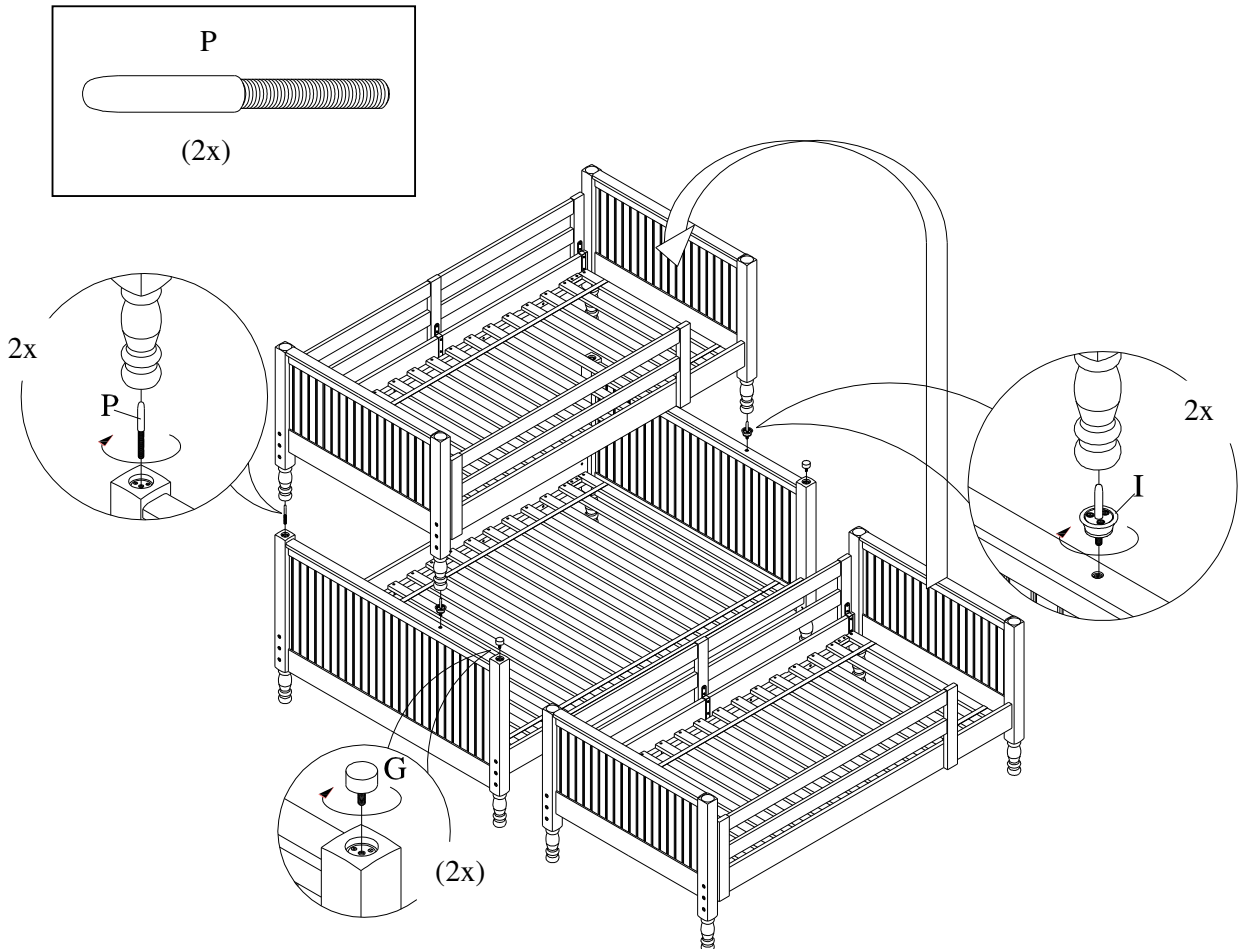


Note:- Put the screw (R) to the  
Side rail (C) and tighten all  
Together with screwdriver

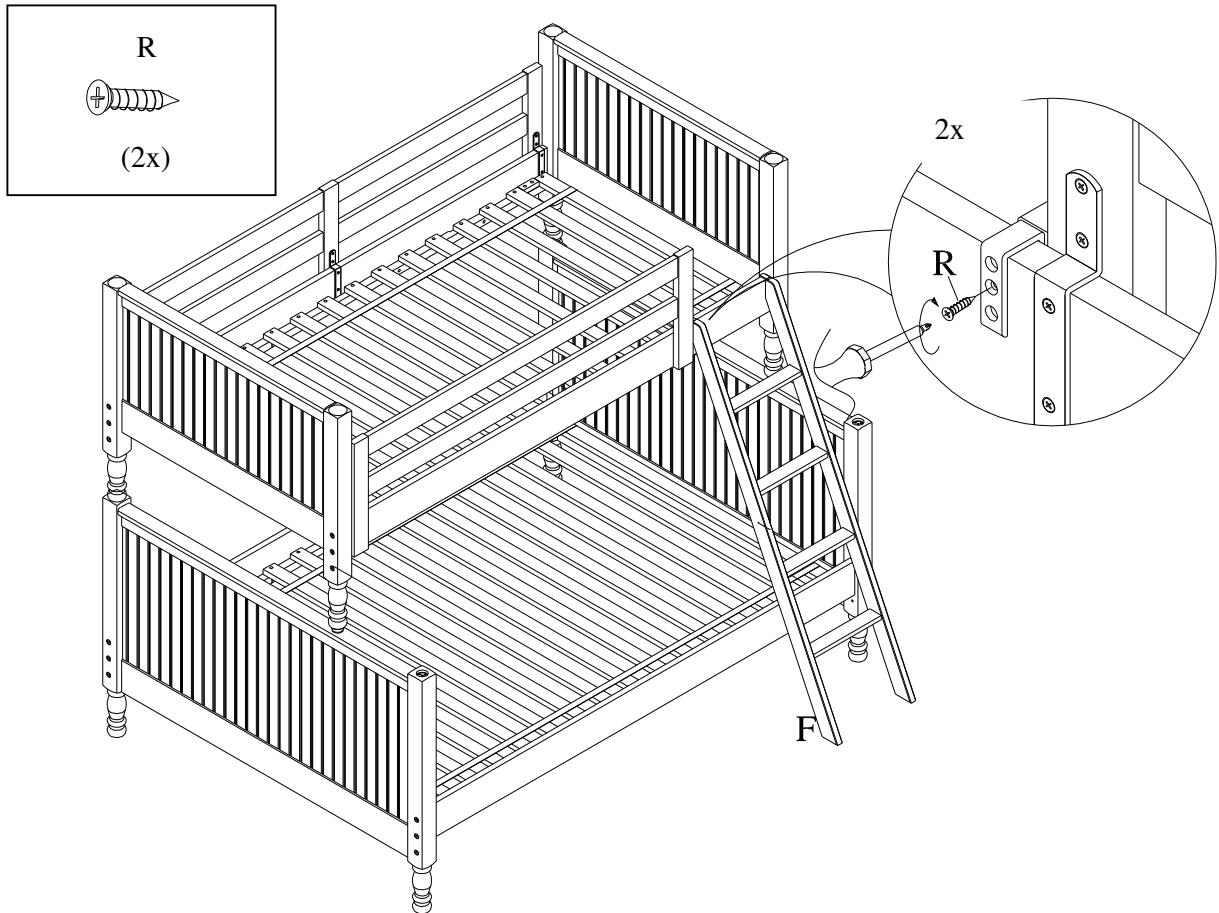
5. Assemble Bed Slats-Long (K) to the Lower bed frame and Bed Slats-Short (J) to the Upper bed frame using RH Screws (Q) as shown. Use Phillips head screwdriver for tighten screws.



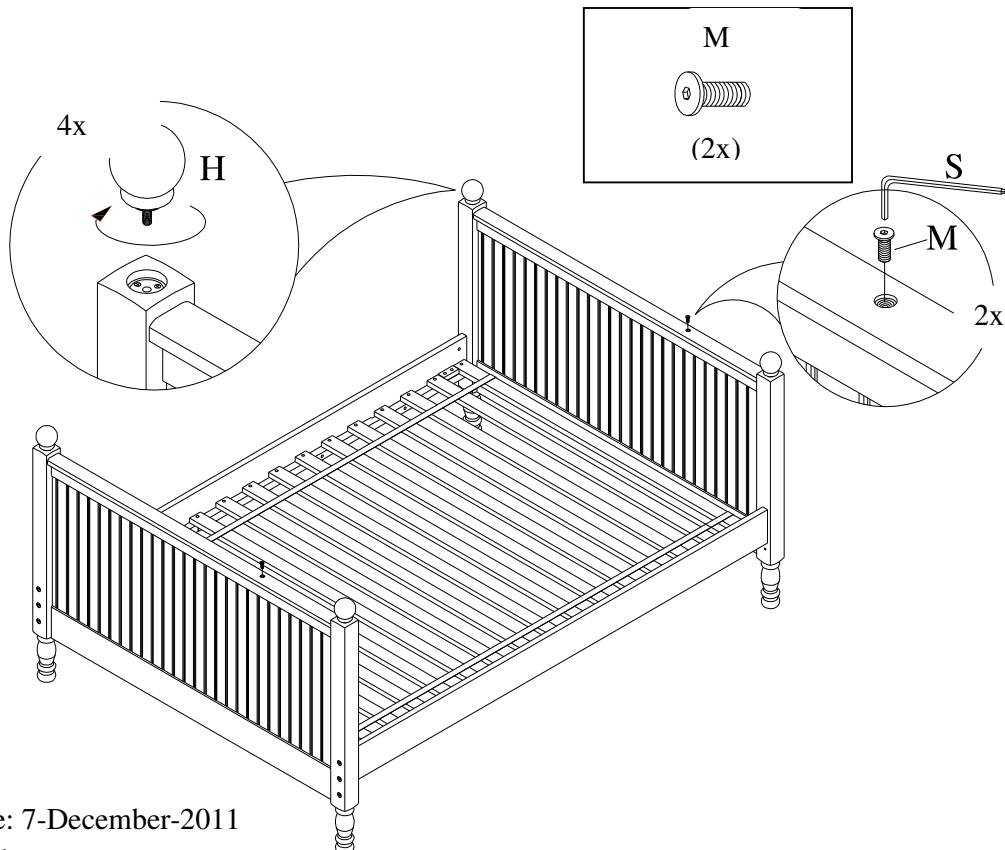
6. One after the other insert iron dowels (P) and Spacer (I) into top of post and top rail of each end of lower bed assembly. Lift upper bed over bottom bed making sure dowels (P) and Spacer (I) are well inserted into bottom end of upper bed post. Then, attach Small finials (G) into top of post remains of each end of lower bed assembly.



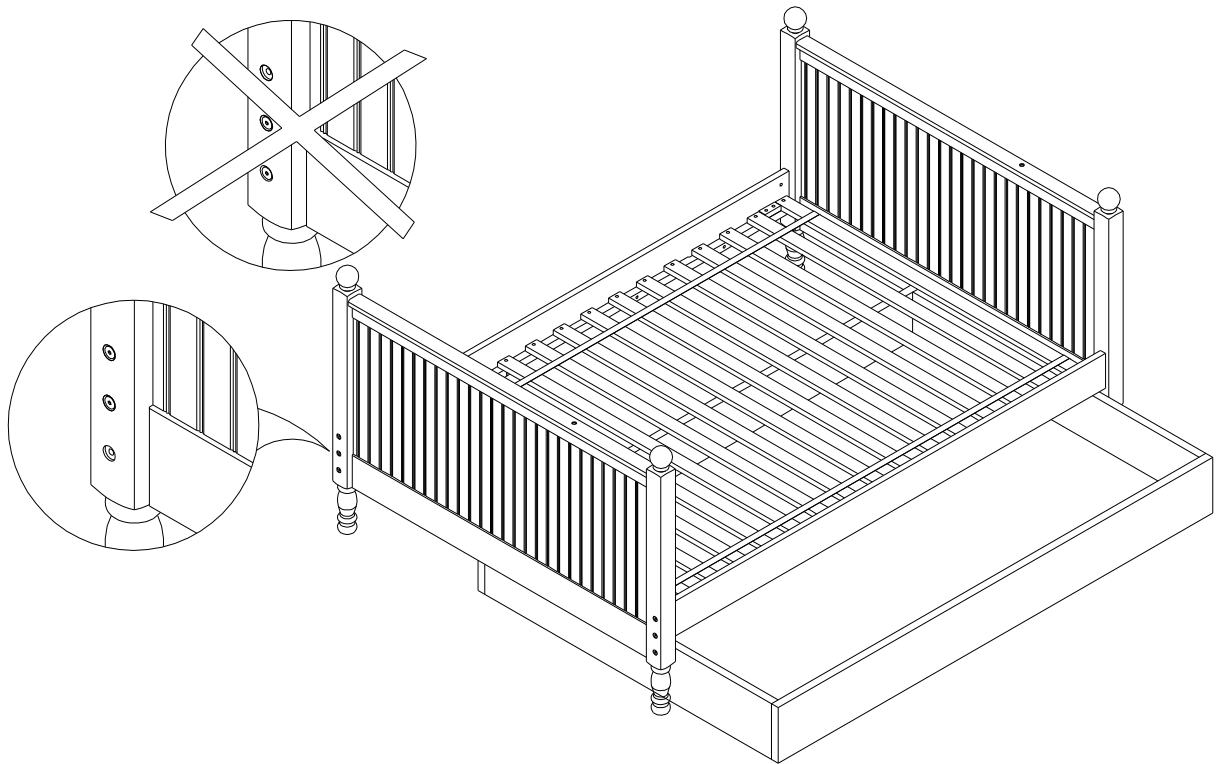
7. Fasten ladder (F) to front side rail (C) using Screws (R) as shown. Use Phillip head screwdriver for tighten screw.



8. Lift upper bed end get off lower bed end. To convert bunk bed into two beds.  
9. Insert Finials (H) into pre-drilled holes on top of lower bed posts (B). Concurrently, insert JCBC 8 x 16mm Allen bolts (M) into top rail of each end of lower bed assembly as shown using allen key(S).



10. If used with trundle bed (sold separately), make sure you assemble the bed with the side rails in the upper set of holes as shown.



#### CARE INSTRUCTIONS:

Dust often using a clean, soft, dry lint-free cloth.

Blot spills immediately, and wipe with a clean, damp, cloth.

We do not recommend the use of chemical cleansers, abrasives, or furniture polish on our lacquered finish.

Check fasteners periodically for tightness. DO NOT over tighten. This may cause distortion or breakage.

Parents should ensure a safe environment for the child by checking regularly, before placing the child in the product, that every component is properly and securely in place.

Thank you for your purchase  
stores | catalog | [www.potterybarnkids.com](http://www.potterybarnkids.com)  
U.S.A. 1.800.290.8181