

pottery barn kids

thomas corner desk

PRE-ASSEMBLY:

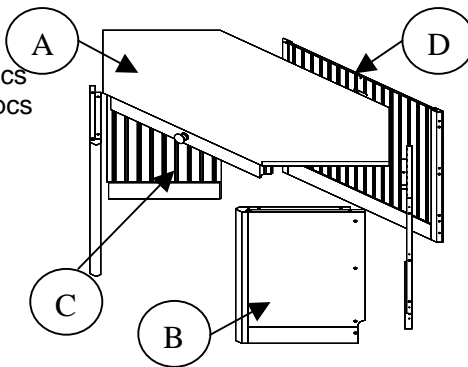
- Remove all parts and hardware from the box and lay out on a clean, carpeted, or scratch-free work surface, as this will avoid damaging any parts during assembly. The shipping box provides an ideal work surface. Do not dispose of any contents until assembly is completed to avoid accidentally discarding small parts or hardware.
- Use the parts and hardware lists above to identify and separate each of the pieces included.
- The illustrations provided allow for easier assembly when used in conjunction with the assembly instructions.
- Note: Do not fully tighten all bolts until all parts are in place. Failure to follow these instructions may cause the bolts to misalign during assembly.
- If using power tools to aid in assembly please use caution. Power tools can damage hardware or split wood.

PARTS INCLUDED:

- (A) Top Panel – 1 pc
- (B) Front Side Panel Left & Right – 2pcs
- (C) Back Side Panel Left & Right – 2pcs
- (D) Back Panel – 1pc

TOOL REQUIRED:

- (J) Phillips screwdriver (not included)
- (K) Allen key – 1pc (included)



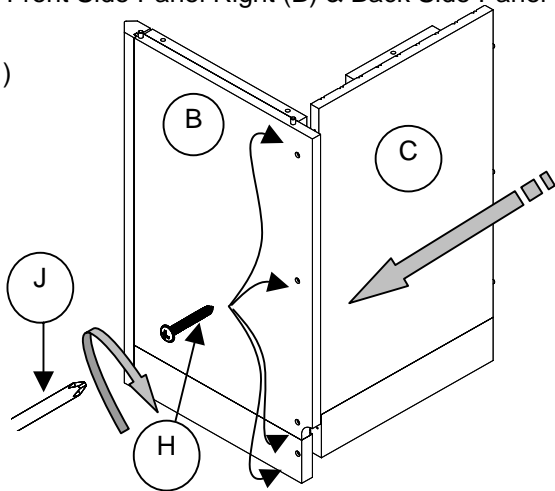
HARDWARE ENCLOSED:

- (E) JCBC M6x35mm – 6pcs
- (F) Flat washer – 6pcs
- (G) Spring washer – 6pcs
- (H) PH rattan screw M5x45mm – 24pcs
- (I) CBS M3.5x16mm – 3pcs

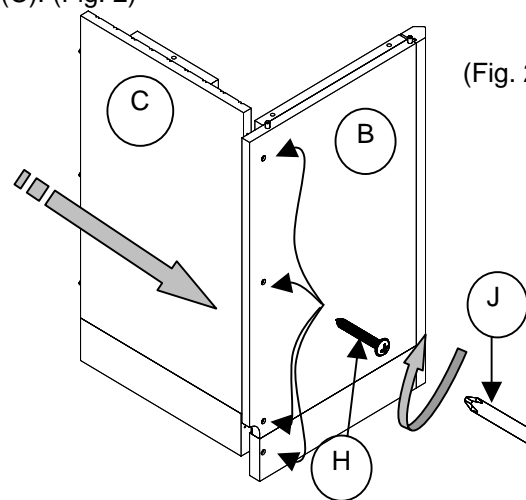
ASSEMBLY INSTRUCTIONS:

1. Align the pre-drilled holes of the Front Side Panel Right (B) & Back Side Panel Right (C). Fasten PH rattan screws (H) using Philips Head Screwdriver (J) to the Front Side Panel Right (B) (Fig.1). Repeat the same step for Front Side Panel Right (B) & Back Side Panel Left (C). (Fig. 2)

(Fig. 1)

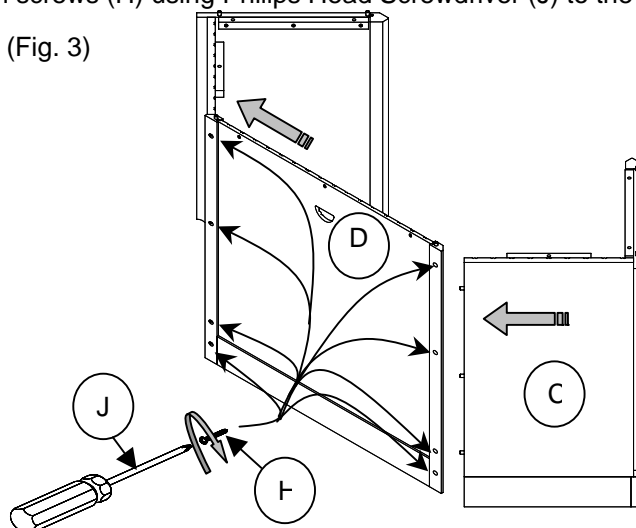


(Fig. 2)

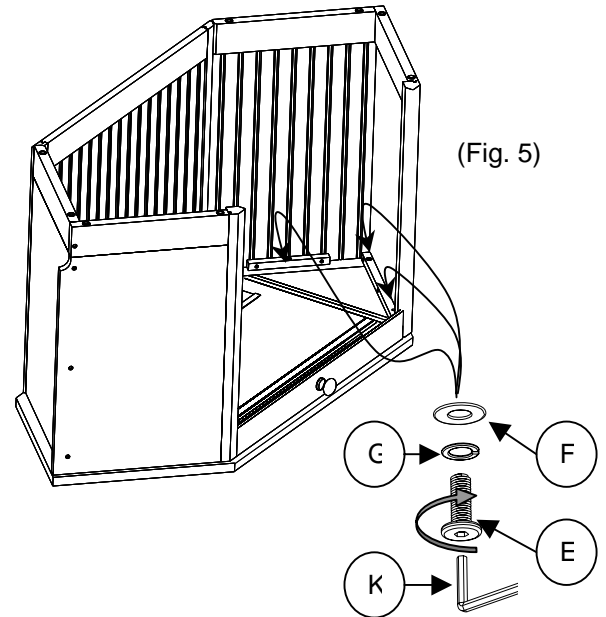
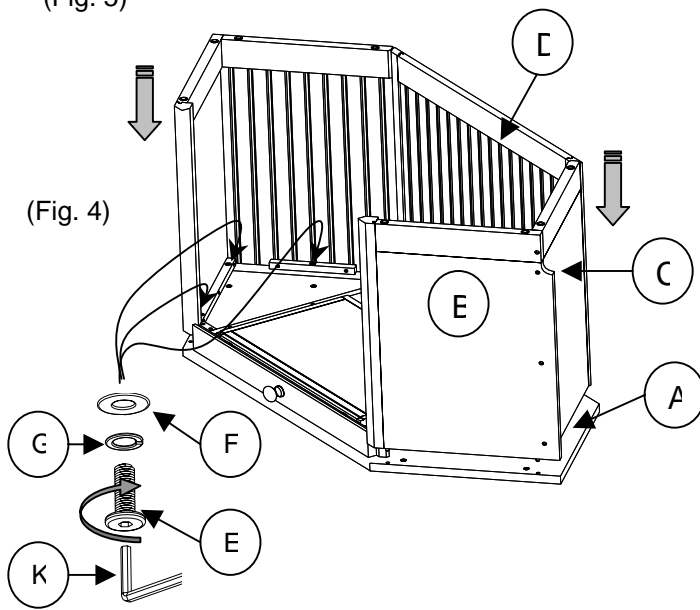


2. Carefully align the pre-drilled holes of the Back Side Panel Left & Right (C) with those to the Back Panel (D). Fasten PH rattan screws (H) using Philips Head Screwdriver (J) to the Back Panel (D). (Fig. 3)

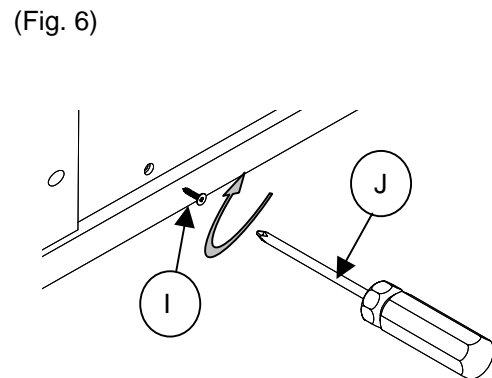
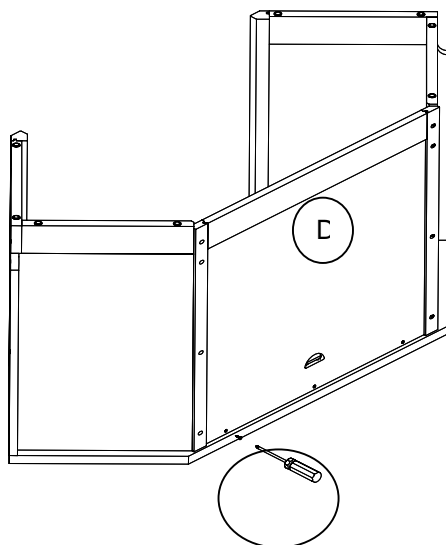
(Fig. 3)



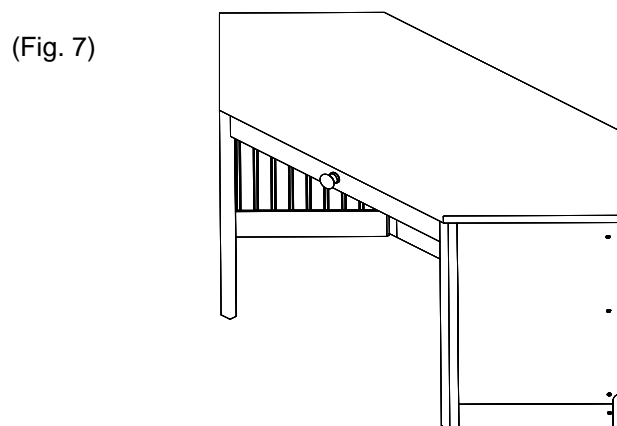
- Align the pre-drilled holes of the Front Side Panel Left & Right (B) & Back Side Panel Left & Right (C) & Back Panel (D) with those on the Top Panel (A). Insert a JCBC Screw (E), Spring Washer (G), and Flat Washer (F) through the pre-drilled holes of the Front Side Panel Left & Right (B) & Back Side Panel Left & Right (C) and into the pre-drilled holes of the Top Panel (A). Tighten using the Allen Key (K). (Fig. 4) Repeat the same step (Fig. 5)



- Fasten CBS screws (I) using Philips Head Screwdriver (J) to the Back Panel (D). (Fig. 6)

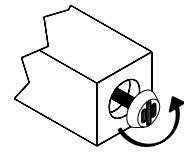


- Assembly is complete. (Fig. 7)



If the floor is not perfectly even, the furniture may not sit level causing it to wobble. If the piece wobbles, determine which corner does not touch the ground correctly. With two people follow these steps:

- Carefully elevate the item slightly to provide access to the levelers attached to the bottom.
- Turn the levelers in a counter-clockwise direction.
- Gently set down the piece and check stability.
- Repeat steps until the furniture sits firmly on the ground.



CARE INSTRUCTIONS:

- Use a soft dry or slightly damp cloth to clean periodically.
- To protect the finish always avoid the use of chemical and abrasive cleansers.

Thank you for your purchase
stores | catalog | www.potterybarnkids.com
USA 1.800.290.8181