

pottery barn kids

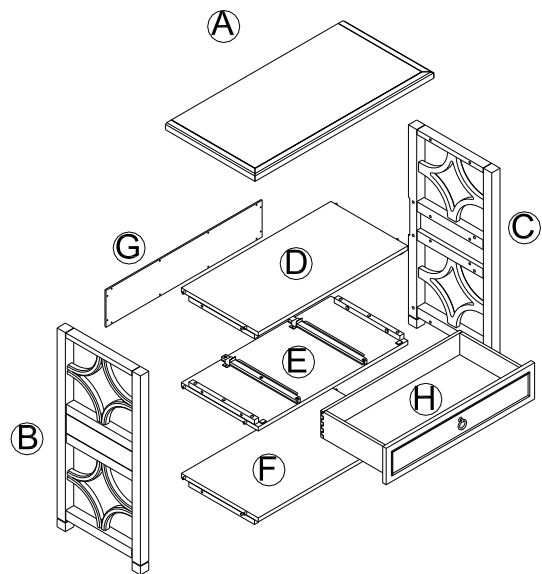
REGENCY BOOKCASE

PRE-ASSEMBLY:

- Please read all instructions before beginning assembly.
- For your safety and ease, assembly by two adults is recommended.
- Remove all parts and hardware from box and lay out on a carpeted or scratch-free work surface, as this will avoid damaging any parts during assembly. The shipping box provides an ideal work surface.
- Do not dispose of any contents until assembly is completed to avoid accidentally discarding small parts or hardware.
- Use the parts and hardware lists to identify and separate each of the pieces included.
- Note: Do not fully tighten all bolts until all parts are in place. Failure to follow these instructions may cause the bolts to misalign during assembly.
- The use of power tools for assembly is not recommended. Power tools can damage hardware or split wood.

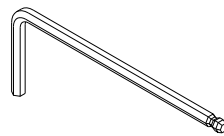
PARTS INCLUDED:

- A – Top panel with drawer (x1)
- B – Left side panel (x1)
- C – Right side panel (x1)
- D – Upper shelf (x1)
- E – Panel with wooden runner (x1)
- F – Bottom shelf (x1)
- G – Back panel (x1)
- H – Drawer (x1)

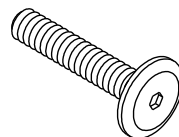


HARDWARE ENCLOSED:

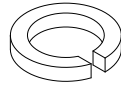
- I- Allen Key with Ball tip 4x95x30mm (x1)



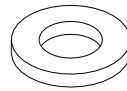
- J – Allen Bolt 1/4"x28x13mm (x16)



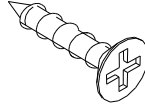
K – Spring Washer 1/4"x10x1.5mm (x16)



L – Flat Washer 1/4"x12x1.5mm (x16)

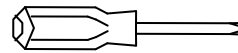


M – Screw 6x15mm (x12)



TOOLS REQUIRED:

Phillips head screwdriver (not included)

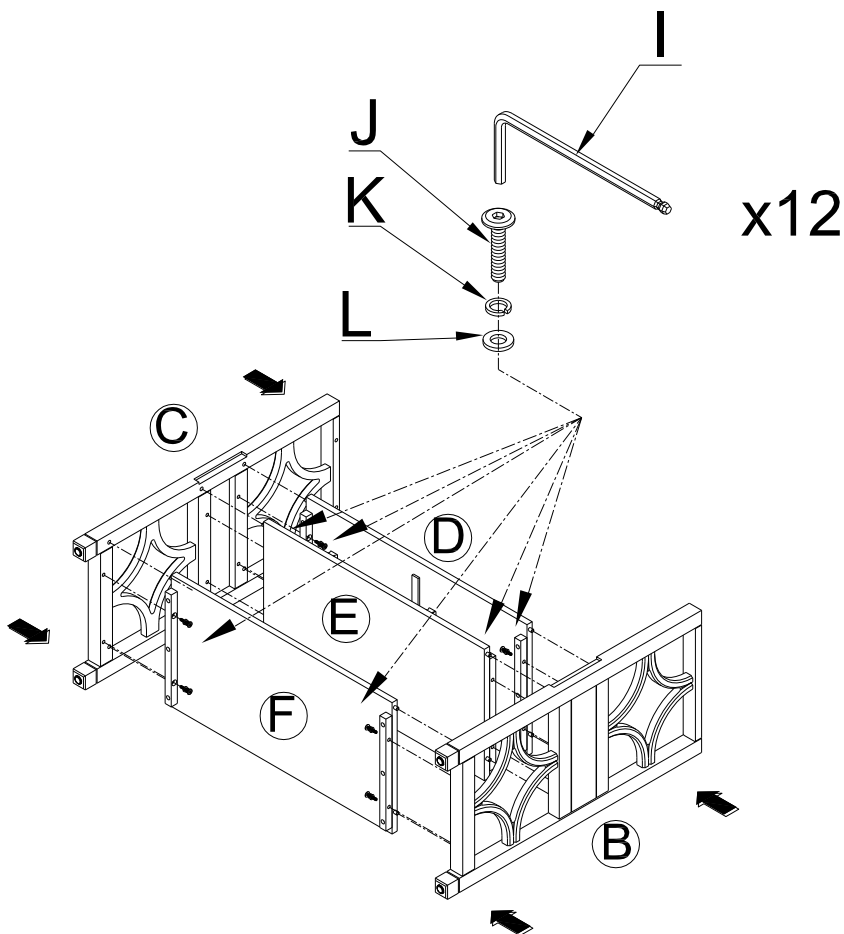


Allen Key (included)

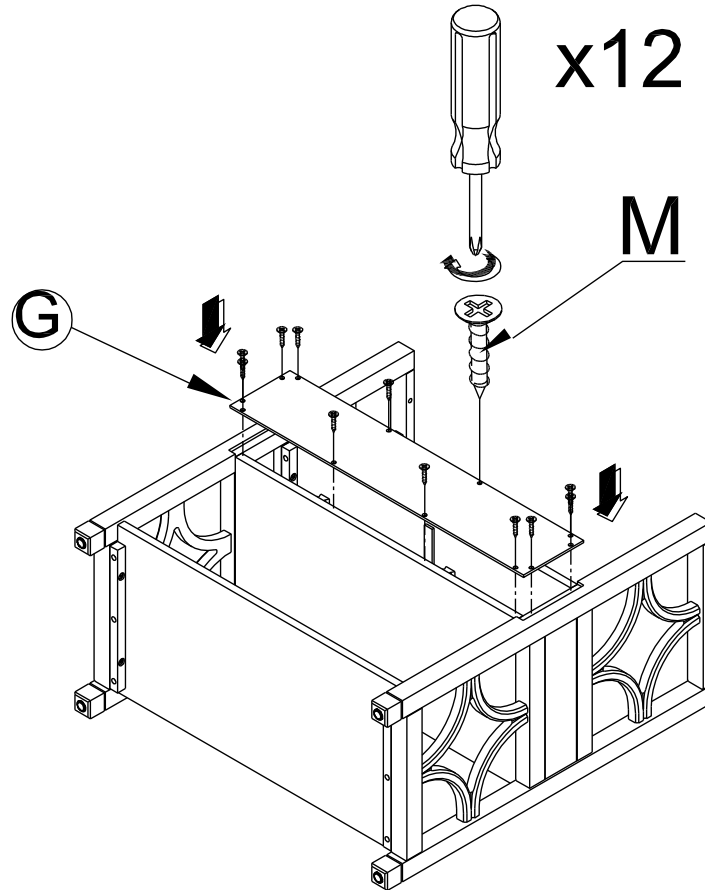
Allen Key with ball tip (included)

ASSEMBLY INSTRUCTIONS:

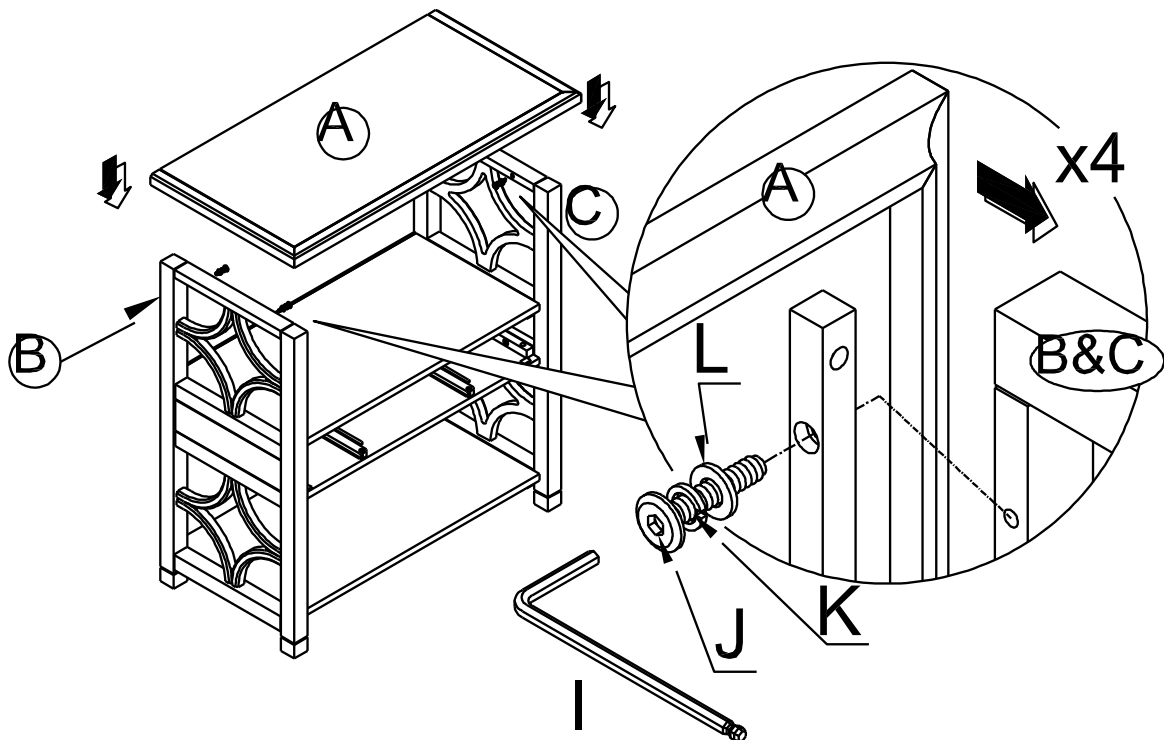
1. Attach Upper shelf (D), Panel with wooden runner (E) and Bottom shelf (F) to Side Panels (B&C) with Allen bolts (J), Spring washer (K) and Flat washer (L). Do not fully tighten by Allen key with ball tip (I) as shown below.



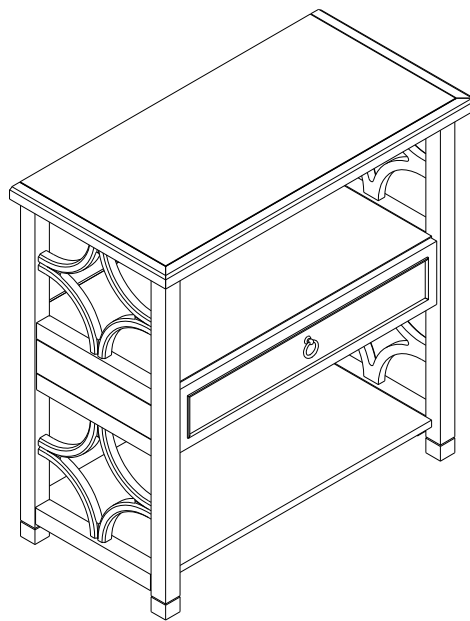
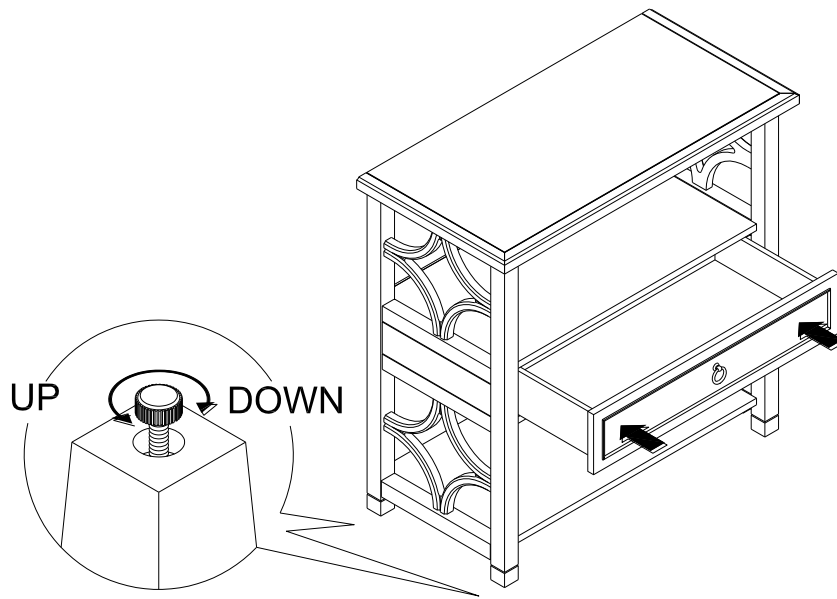
2. Turn to another side and attach the Back panel (G) to Upper shelf (D) and Panel with wooden runner (E), with Screws (M) by a Phillip head screwdriver as shown below.



3. Upright the bookcase and attach the Top panel (A) on it, using Allen bolts (J), Spring washers (K) and Flat washers (L) tighten all Allen bolts (J) with Allen Key with ball tip (I) as shown below.



4. Insert the drawer (H) into the bookcase and ensure you completely insert the drawer with adequate force. Secure all Allen bolts (L) then adjust levelers on the feet to make the unit flush with the floor.



CARE INSTRUCTIONS:

- Dust often using a clean, soft, dry lint-free cloth.
- Blot spills immediately, and wipe with a clean, damp, cloth.
- We do not recommend the use of chemical cleansers, abrasives or furniture polish.

Thank you for your purchase
stores | catalog | www.potterybarnkids.com

USA 1.800.290.8181