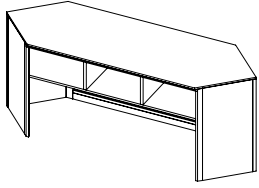


# pottery barn kids

## CAMERON CORNER DESK HUTCH

### IMPORTANT SAFETY INSTRUCTIONS:










Please read all instructions carefully before assembling.  
For your safety, assembly by two people is recommended.




### PART LIST

- (A) Top Panel – 1pc
- (B) Front Left Side Panel – 1pc
- (C) Front Right Side Panel – 1pc
- (D) Rear Left Side Panel – 1pc
- (E) Rear Right Side Panel – 1pc
- (F) Shelf – 1pc
- (G) Divider – 2pcs
- (H) Top Back Panel – 1pc
- (I) Bottom Stretcher – 1pc
- (J) Cork Panel – 1pc

### HARDWARE LIST

- (K) Allen Key  - 1pc
- (L) Bolt 1/4" x 25mm  - 14pcs
- (M) Spring Washer 1/4"  - 14pcs
- (N) Flat Washer 1/4"  - 14pcs
- (O) Long Wood Screw 4x30mm  - 20pcs
- (P) Medium Wood Screw 3.5 x20mm  - 16pcs
- (Q) Short Wood Screw 3x12mm  - 16pcs
- (R) Square Bracket  - 1pc
- (S) T-Shape Bracket  - 2pcs

### TOOLS REQUIRED:

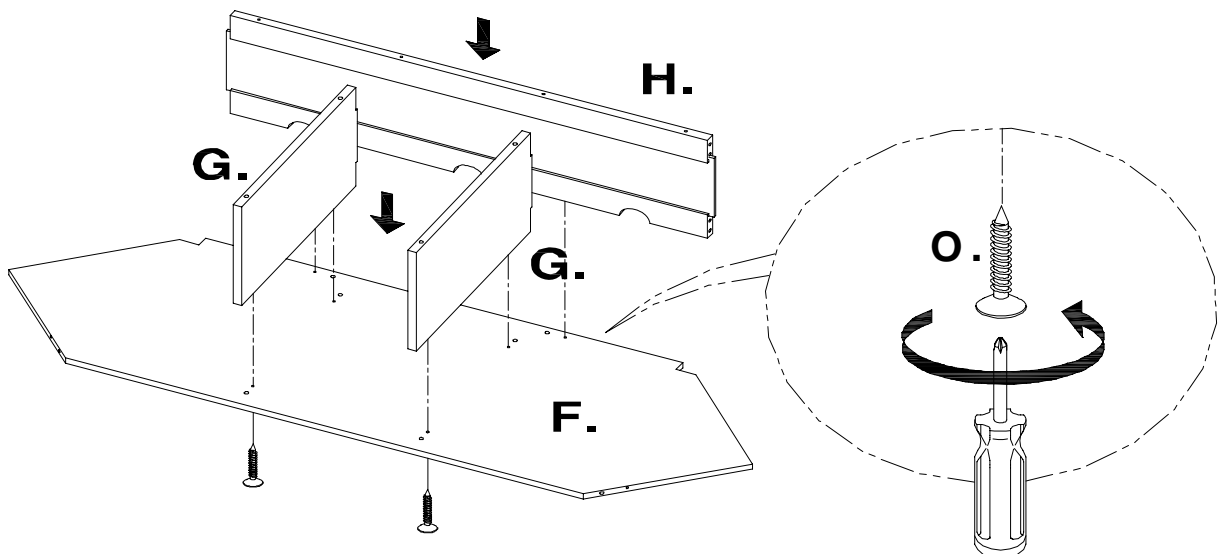
Phillips Screwdriver  (Not included)

### PRE-ASSEMBLY:

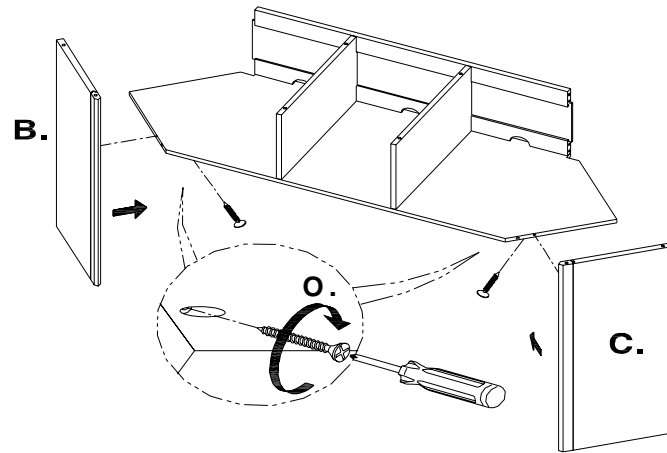
- Remove all parts and hardware from the box and lay out on a clean, carpeted, or scratch-free work surface, as this will avoid damaging any parts during assembly. The shipping box provides an ideal work surface. Do not dispose of any contents until assembly is completed to avoid accidentally discarding small parts or hardware.
- Use the parts and hardware lists above to identify and separate each of the pieces included.
- The illustrations provided allow for easier assembly when used in conjunction with the assembly instructions.
- Note: Do not fully tighten all bolts until all parts are in place. Failure to follow these instructions may cause the bolts to misalign during assembly.
- If using power tools to aid in assembly please use caution. Power tools can damage hardware or split wood.

### ASSEMBLY INSTRUCTIONS:

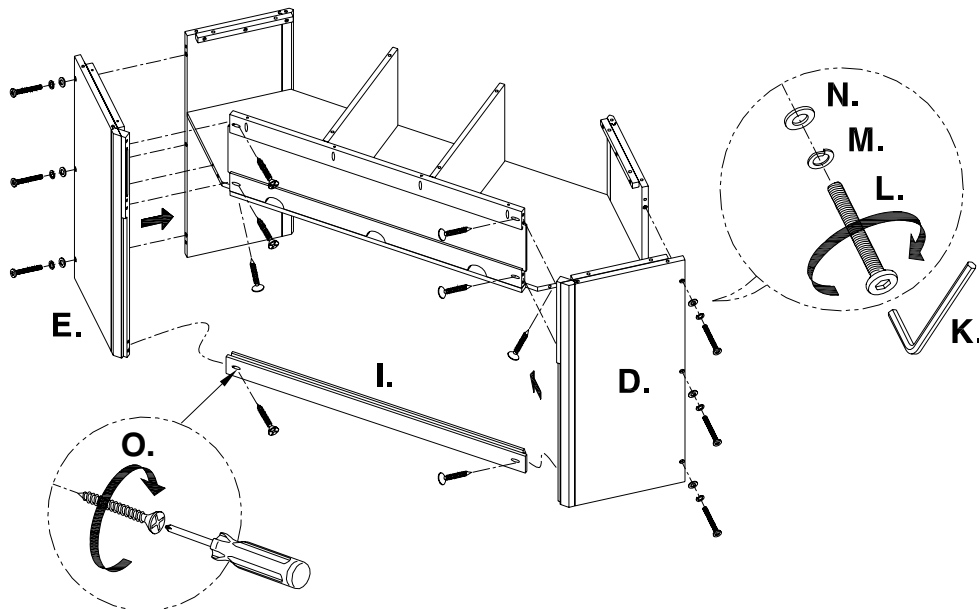
1. Secure the (2) Divider (G) to the Shelf (F) using (4) Long Wood Screw (O) from bottom of the Shelf (F) to the Divider (G). Attach the Top Back Panel (H) to the assembled piece using (2) Long Wood Screw (O) from bottom of the Shelf (F) to the Top Back panel (H). Make sure the cut-outs on the Top Back Panel (H) touch the Shelf piece and the Dividers (G) sit well on the Top Back Panel (H).



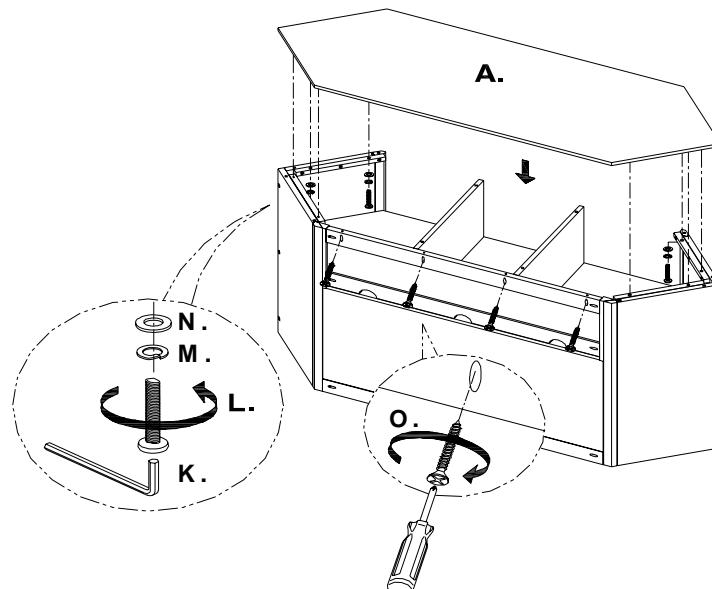
- Align and connect the Front Left/Right Side Panel (B & C) to the assembled piece using (2) Long Wood Screw (O) from pre-drilled holes on bottom of the Shelf to the Front Left/Right Side Panel (B & C).



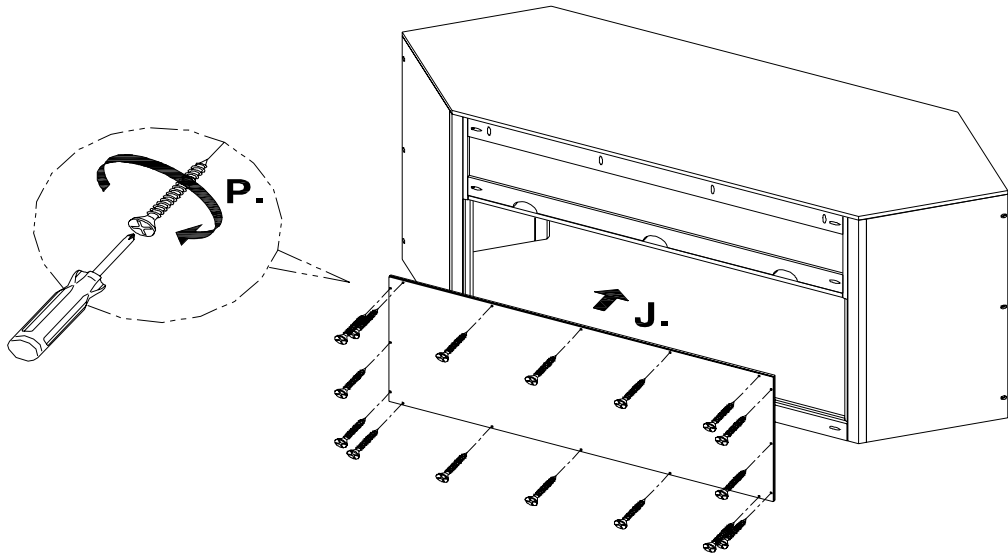
- Attach the Rear Right Side Panel (E) to the assembled piece. Secure the Rear Right Side Panel (E) to the Front Right Side Panel (C) using (3) Bolt (L), Spring Washer (M) and Flat Washer (N). Secure the Rear Right Side Panel (E) to the Top Back Panel (H) using (2) Long Wood Screw (O) and to the Shelf using (1) Long Wood Screw (O). Connect the Bottom Stretcher (I) to Rear Right Side Panel (E) using (1) Long Wood Screw (O). Repeat with the Rear Left Side Panel (D).



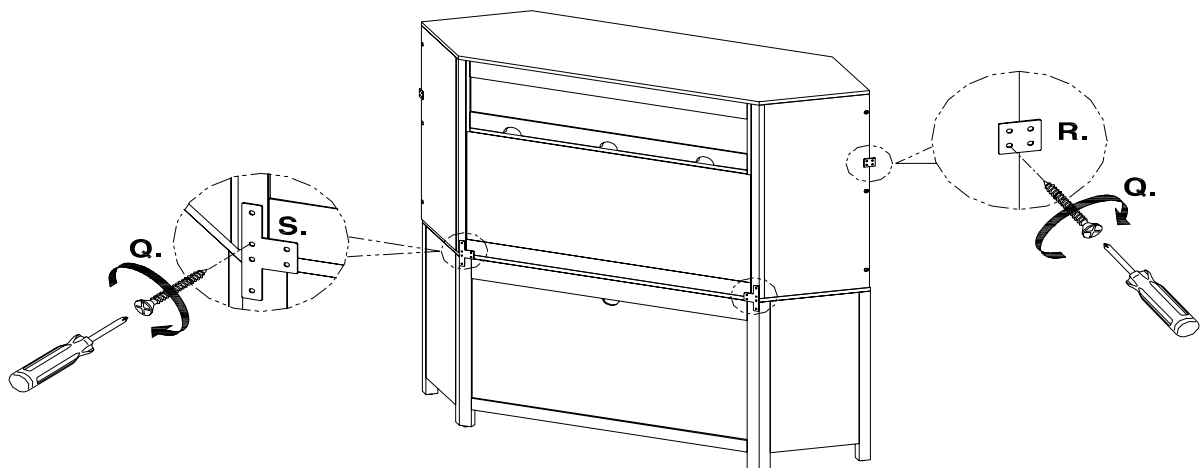
- Place the Top Panel (A) on the assembled piece. Insert (8) Bolt (L), Spring Washer (M) and Flat Washer (N) from pre-drilled holes on the cleats on the side panels to the pre-drilled holes on the Top Panel (A) securing with an Allen Key (K). Use (4) Long Wood Screw (O) to secure the Top Panel (A) to the Top Back Panel (H).



5. Attach the Cork Panel (J) to back of the assembled piece securing with (16) Medium Wood Screw (P).



6. When connecting the Hutch to Cameron cubby piece (sold separately), place the Square Bracket (R) over the pre-drilled holes on the Hutch and Cubby piece securing with (4) Short Wood Screws (Q).
7. When connecting the Hutch to Cameron Corner Desk (sold separately), place the assembled Hutch on the Desk. Place a T-Shape Bracket (S) over the pre-drilled holes on the Hutch and Desk securing with (6) Short Wood Screws (Q). Repeat with the other T-Shape Bracket on the other side (S).



#### CARE INSTRUCTIONS:

- Dust with a clean, soft cloth.
- Bolt spills immediately, and wipe with a clean, damp, cloth.
- We do not recommend the use of chemical cleansers, abrasives, or furniture polish on our lacquered finish.

Thank you for your purchase  
stores | catalog | [www.potterybarnkids.com](http://www.potterybarnkids.com)  
USA 1.800.290.8181

# pottery barn kids

## TIP RESTRAINT KIT

**WARNING:** This product is only a deterrent. It is not a substitute for proper adult supervision.

Young children may be injured by tipping furniture and the use of a tipping restraint is highly recommended. When properly installed, this restraint could provide protection against the unexpected tipping of furniture. We recommend mounting this restraint to a wall stud.


All Parts and Hardware are included with the Cameron Wall Cubby.

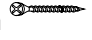
### PARTS INCLUDED

(T) Plastic Restraint  - 1pc

(U) Plastic Wall Brackets  - 2pcs

### HARDWARE NEEDED

(V) Long Screws 3x32mm  - 2pcs

(W) Short Screws 3x19mm  - 2pcs

Note: For safe mounting it is essential to use the proper hardware for your wall type. The included hardware is for drywall or stud mounting only. For other wall types (ie: plaster, concrete, brick...) please consult your local hardware store.

1. Locate a wall stud behind your furniture. Position a bracket on the stud approximately 1" below the top of the furniture. Mark and drill pilot hole into the center of the stud with a 3/32" drill bit. Attach a bracket to the stud with the long screws provided.
2. On the back of the furniture, a bracket will need to be attached to the furniture frame at the top. To do this, temporarily move the furniture into its final position and mark the location of the wall bracket on the furniture frame. Move the furniture away from the wall and place a bracket on the mark. Mark and drill holes for screws with 3/32" drill bit. Attach the bracket to the furniture with the short screws provided.
3. Move the furniture into this final position, taking care to line up the wall bracket with the furniture bracket. Thread a strap through the bracket as shown in the illustration. Tighten strap until snug. Do not over tighten.

