

pottery barn kids

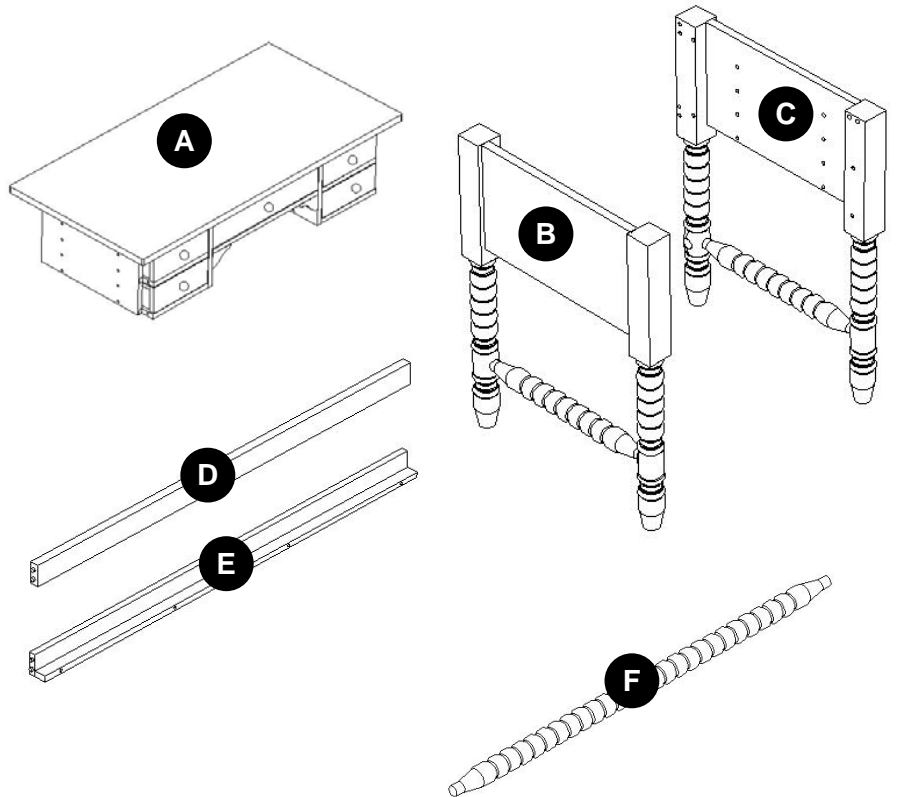
JANIE DESK

PRE-ASSEMBLY:

- Remove all parts and hardware from the box and lay out on a clean, carpeted, or scratch-free work surface, as this will avoid damaging any parts during assembly. The shipping box provides an ideal work surface.
- Do not dispose of any contents until assembly is completed to avoid accidentally discarding small parts or hardware.
- Two adults recommended for ease of assembly.
- Use the parts and hardware lists to identify and separate each of the pieces included prior to starting assembly.
- The illustrations provided allow for easier assembly when used in conjunction with the assembly instructions.
- Note: Do not fully tighten all bolts until all parts are in place. Failure to follow these instructions may cause the bolts to misalign during assembly.
- The use of power tools for assembly is not recommended. Power tools can damage hardware or split wood.

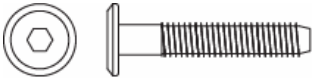
PARTS INCLUDED:

- A. Desk box (1)
- B. Right Side Panel (1)
- C. Left Side Panel (1)
- D. Upper Back Bar (1)
- E. Lower Back Bar (1)
- F. Spindle Bar (1)

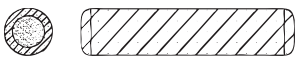


HARDWARE INCLUDED :

- G. Bolt JCBC Ø6x30 mm (8)



- H. Wooden Dowel Ø8x30 mm (8)



- I. Screw PCS Ø7x1¼ Inch (3)



- J. Allen Key (1)



TOOLS NEEDED:

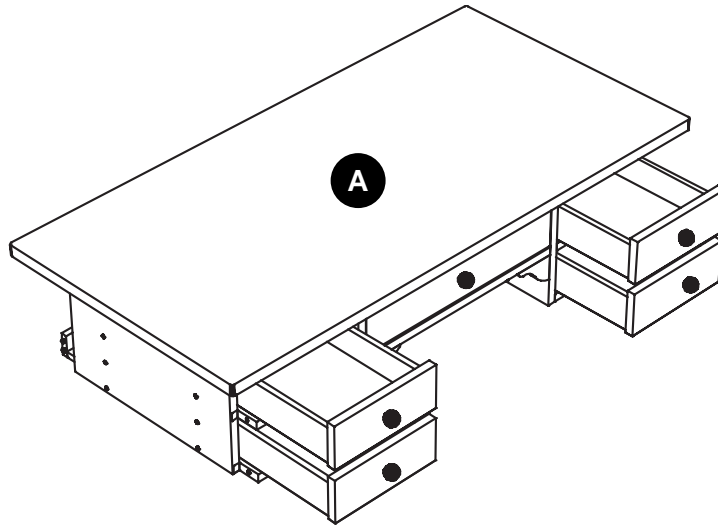
Phillips screwdriver (not included)



ASSEMBLY INSTRUCTIONS:

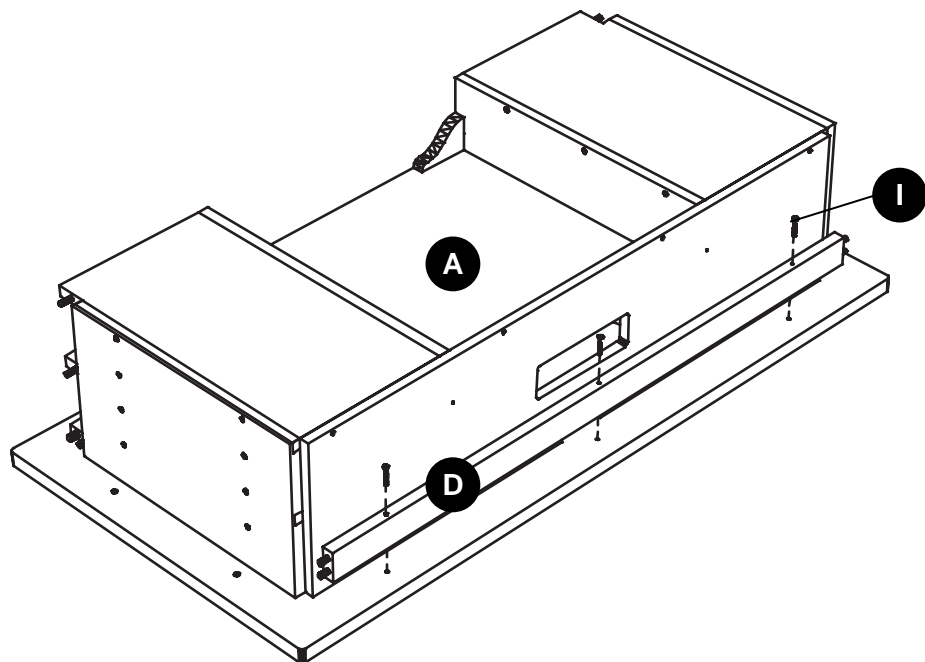
1. Remove all four small drawers from Desk Box (A) by pulling firmly. Set Drawers aside (fig.1).

(fig.1)



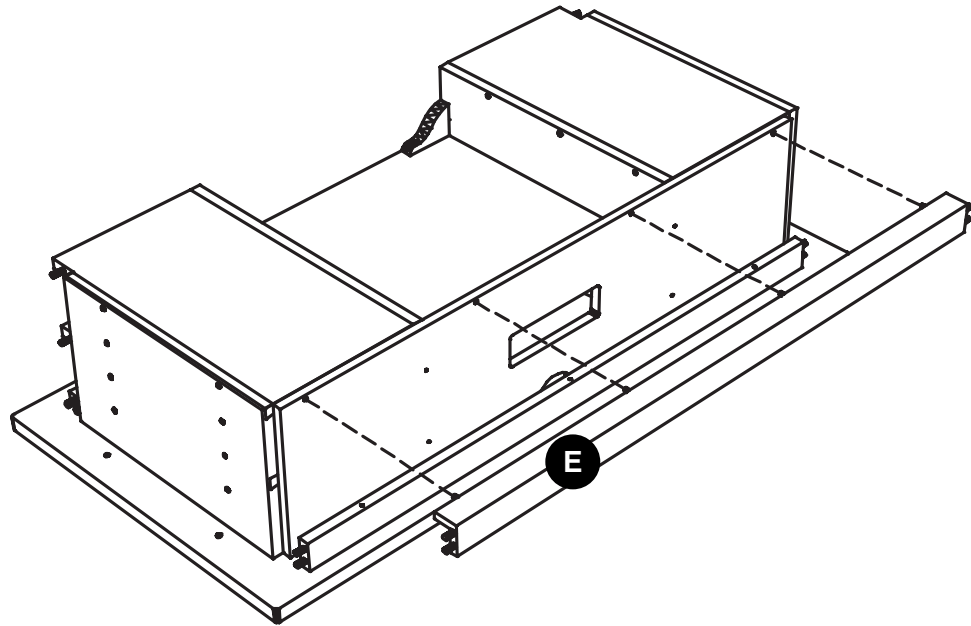
2. Place the Desk Box (A) upside down on a soft clean surface. Attach Upper Back Bar (D) to Desk Box (A) with (3) Screws (I), using Phillips Head Screwdriver (not included) (Figure 2).

(fig.2)



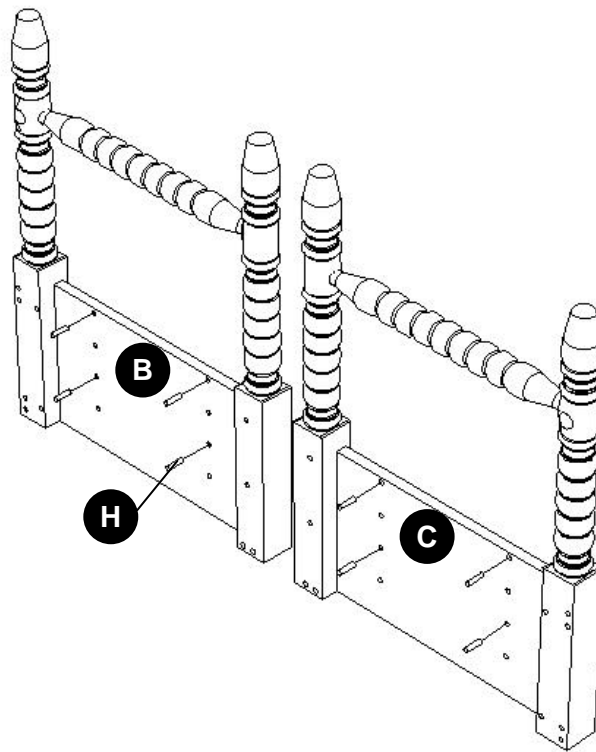
3. To assemble the Lower Back Bar (E), insert the dowels (pre-attached along the Bar) into the corresponding holes in the Desk Box (Figure 3).

(fig.3)

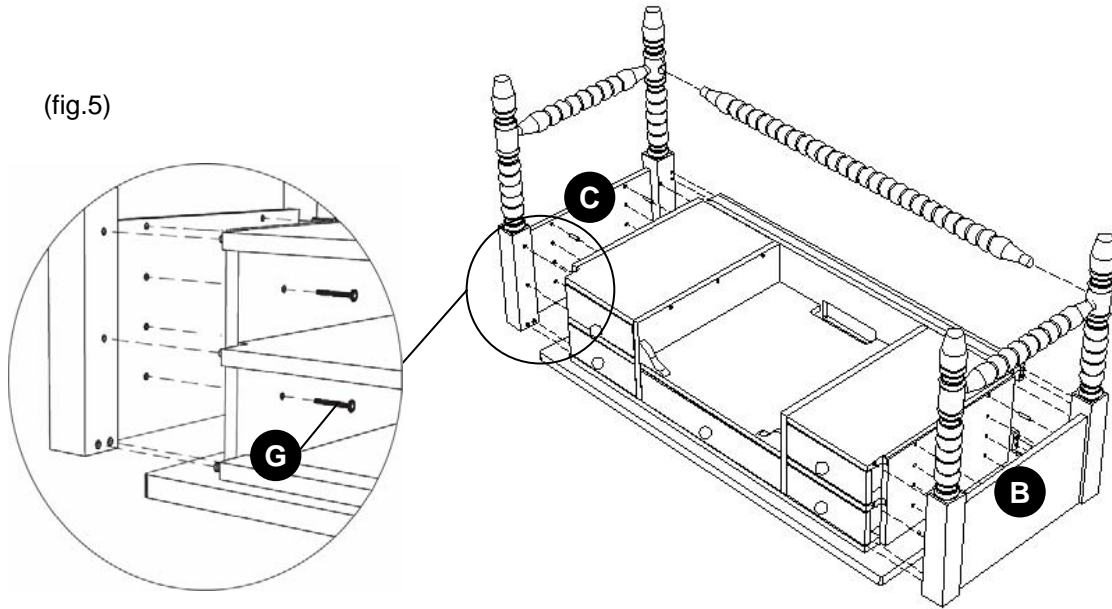


4. Insert 4 Wooden Dowels (H) into the holes in the Right and Left Side Panel (B and C) (Figure 4).

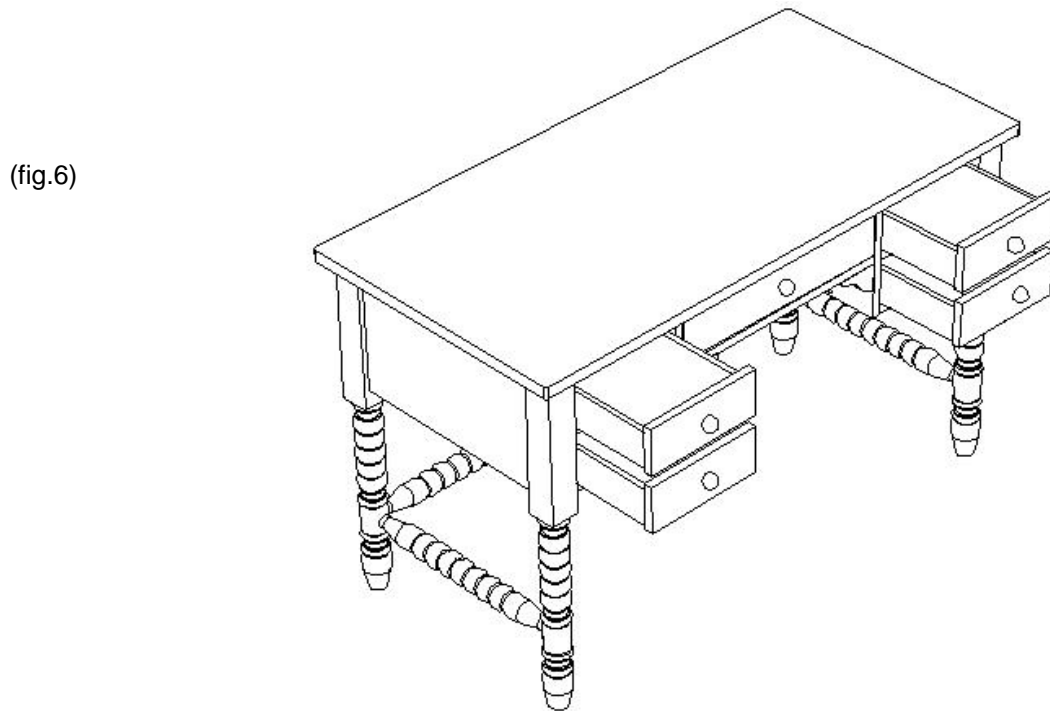
(fig.4)



5. Attach the Left Side Panel (C) to the Desk Box (A). Fasten from the inside of the drawer box with 4 Bolts (G) using Allen Key (J), as shown. Repeat for Right Side Panel (B), while aligning and connecting the Spindle Bar (F) between the two rear legs, as shown in Figure 5.



6. Turn assembled Desk upright and replace the drawers.



CARE INSTRUCTIONS:

- Dust often using a clean, soft, dry lint-free cloth.
- Blot spills immediately, and wipe with a clean, damp, cloth.
- We do not recommend the use of chemical cleansers, abrasives, or furniture polish on our lacquered finish.

Thank you for your purchase
Store | Catalog | www.potterybarnkids.com
USA 1.800.290.8181