

pottery barn kids

MADISON CABINET HUTCH

IMPORTANT SAFETY INSTRUCTIONS:

- Please read all instructions carefully before assembling.
- For your safety, assembly by two adults is recommended.

PRE-ASSEMBLY:

- Remove all parts and hardware from the box and lay out on a clean, carpeted, or scratch-free work surface, as this will avoid damaging any parts during assembly. The shipping box provides an ideal work surface. Do not dispose of any contents until assembly is completed to avoid accidentally discarding small parts or hardware.
- Use the parts and hardware lists above to identify and separate each of the pieces included.
- The illustrations provided allow for easier assembly when used in conjunction with the assembly instructions.
- Note: Do not fully tighten all bolts until all parts are in place. Failure to follow these instructions may cause the bolts to misalign during assembly. Minifix Cam need to be screw over 90° at least. If you feel hard to reach this angle, please unscrew the Minifix Connecting Bolt a little and try again.
- If using power tools to aid in assembly please use caution. Power tools can damage hardware or split wood.
- This product has two version of door placement, the first version is to open from right, and the second is from left. The door in the hutch package is for the first version (open door from right). If you want the second version (open door from left), you need the door of another product – the Madison Cabinet - and skip the following step 7 and refer to step 8,9,10.

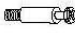





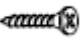

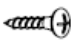





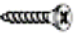

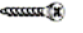
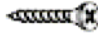



PARTS INCLUDED:

- (A) Left Side Panel – 1pc
- (B) Right Side Panel – 1pc
- (C) Low Shelf– 1pc
- (D) Upper shelf– 1pc
- (E) Top Panel– 1pc
- (F) Back Panel – 1pc
- (G) Rail– 1pc
- (H) Door– 1pc

TOOLS REQUIRED:

Phillips Head Screwdriver (not included)

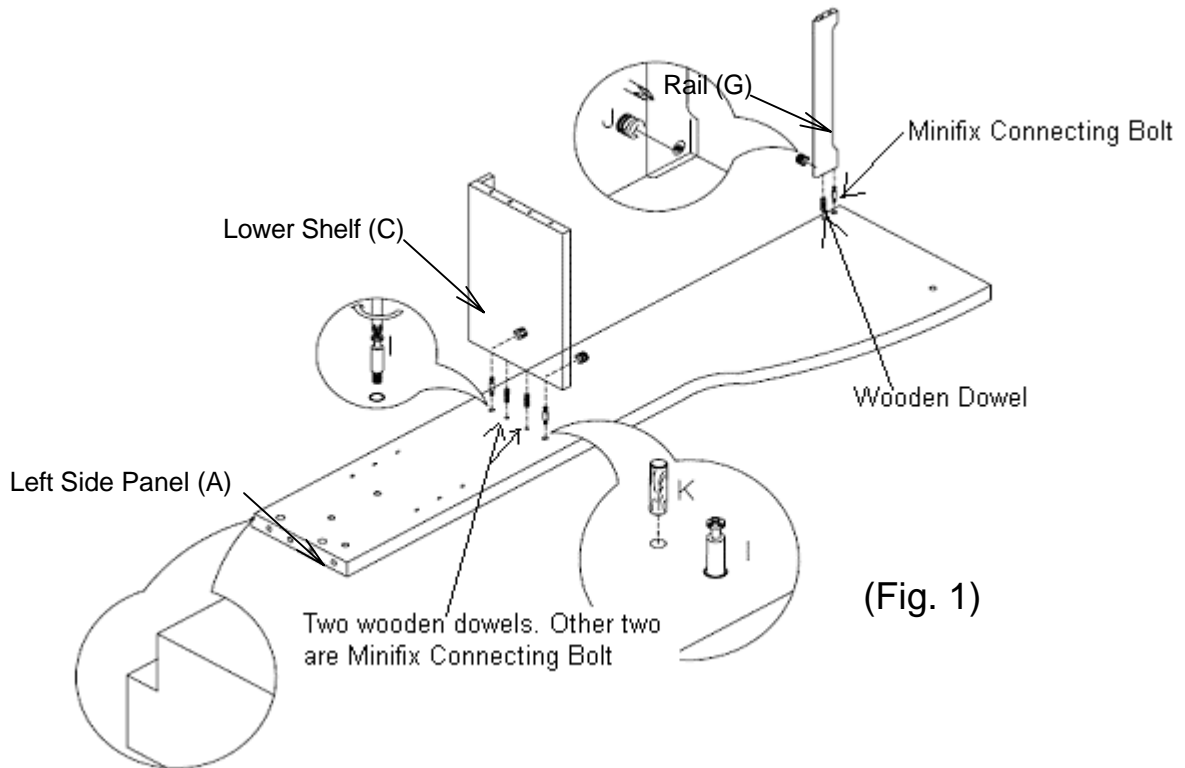
HARDWARE ENCLOSED:

- (I) Minifix Connecting Bolt – 10pcs 
- (J) Minifix Cam – 10pcs 
- (K) Wooden Dowel – 10pcs 
- (L) Screw for Back Panel – 16pcs 
- (M) Shelf Pin – 4pcs 
- (N) Hinge– 2pcs  (Assembled on door)
- (O) Screw for Hinge – 8pcs  (4pcs Assembled on door)
- (P) Magnet –1pc  (Assembled on top)
- (Q)Screw for Magnet -2pcs  (Assembled on top)
- (R) Metal Piece --1pc  (Assembled on door)
- (S) Screw for Metal piece -1pc  (Assembled on door)
- (T) Knob - 2pcs 
- (U)Screw for Knob – 2pcs 
- (V) Connecting Piece --2pcs 
- (W) Screw for Connecting Piece --4pcs 
- (X) Mounting Bracket --2pcs 
- (Y) Short screw for product Bracket --2pcs 
- (Z1) Long screw for wall Bracket --2pcs 
- (Z2) Plastic strip 
- (Z3) Sleeve screw --2pcs 
- (Z4) Sleeve nut – 2pcs 

NOTE: One extra knob and knob screw are included for your convenience.

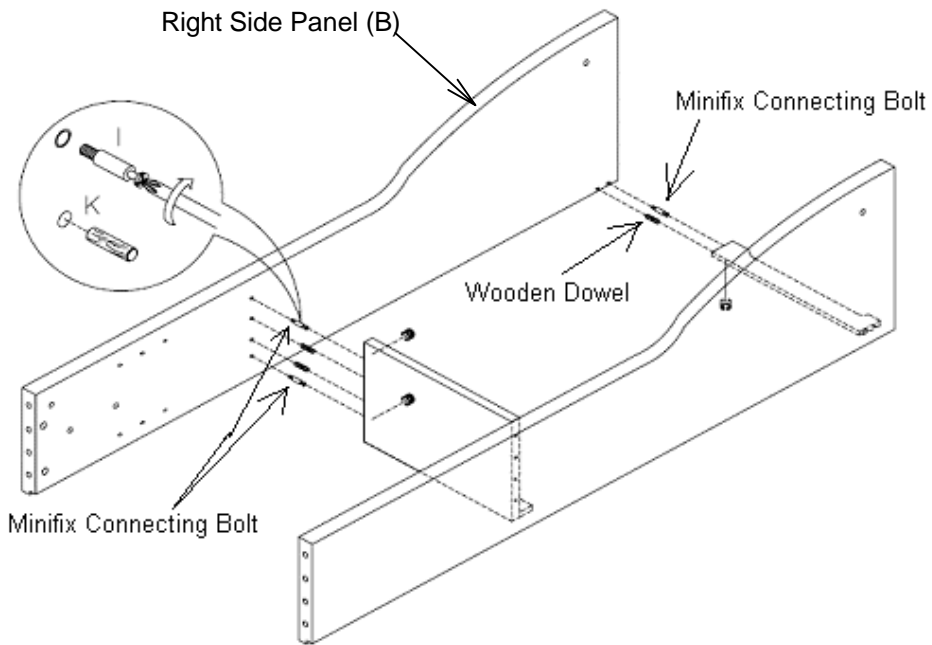
ASSEMBLY INSTRUCTIONS:

1. Assemble the Lower shelf (C) to Left Side Panel (A). Insert Wooden Dowels (K) and screw Minifix Connecting Bolts (I) into the pre-drilled holes in the middle of Left Side Panel (A), as shown in Fig.1. Then, align the pre-drilled holes of the Lower Shelf (C) with the assembled Wooden Dowels (K) and Minifix Connecting Bolts (I) of the Left Side Panel (A). (see Fig1). Insert Minifix Cam (J) into the pre-drilled holes on the bottom surface of the Lower Shelf (C). Lock Minifix Cam (J) in place by turning 180° with a Phillips Head Screw driver (not included), Fig 1.
2. Assemble the Rail (G) to the Left Side Panel (A). Insert a Wooden Dowels (K) and screw Minifix Connecting Bolt (I) into the pre-drilled holes near the bottom side of Left Side Panel (A), as shown in Fig. 1. Then, align the pre-drilled holes of the Rail (G) with the assembled Wooden Dowel (K) and Minifix Connecting Bolt (I) of the Left Side Panel (A). See Fig. 1. Then insert (1) Minifix Cam (J) into the pre-drilled hole on the back surface of Rail (G), close to the end. Lock Minifix Cam (J) in place by turning with Phillips Head Screwdriver (not included) Fig 1

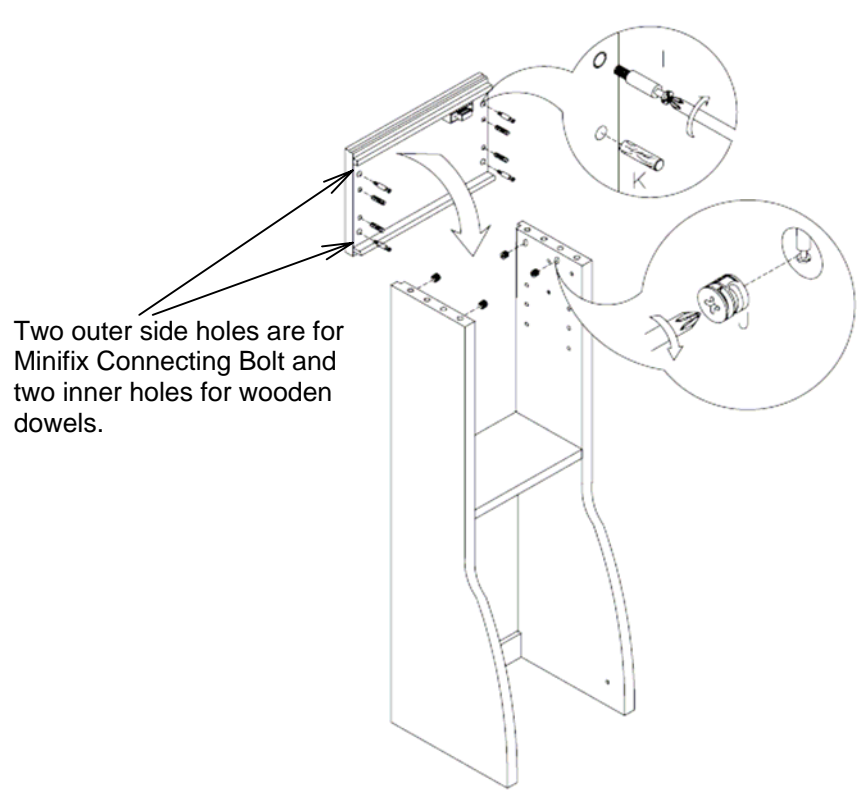


(Fig. 1)

3. Insert Wooden Dowels (K) and screw Minifix Connecting Bolt (I) into the pre-drilled holes in the middle of the Right Side Panel (B), as well as in the pre-drilled holes located at the bottom of the Right Side Panel (B), as shown in Fig. 2. Then, align the pre-drilled holes of the Lower Shelf (C) and Rail (G) with the assembled Wooden Dowels (K) and Minifix Connecting Bolts (I) of the Right Side Panel (B). See Fig. 2. Insert Minifix Cam (J) into the pre-drilled holes on the sides of the Lower Shelf (C) and Rail (G). Lock Minifix Cam (J) in place by turning with a Phillips Head Screwdriver (not included). (Fig. 2)

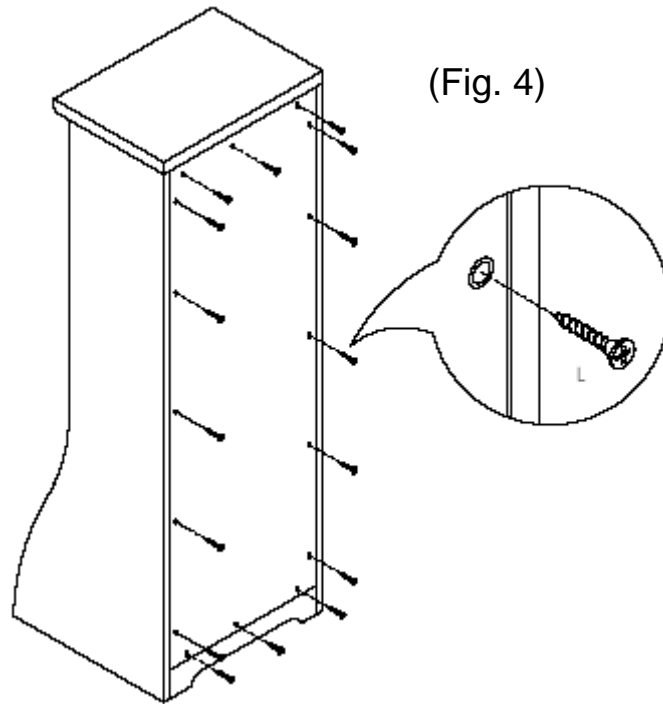


3. Insert Wooden Dowels (K) and screw in Minifix Connecting Bolt (I) into the pre-drilled holes on the underside of the Top Panel (E). See Fig. 3. Then, align the pre-drilled holes on Right and Left side panel (A & B) with the assembled Wooden Dowels and Minifix Connecting Bolts (I) just assembled on the Top Panel (E). See Fig. 3. Insert Minifix Cam (J) into the pre-drilled holes near the top of the Right and Left Side Panels (A & B). Lock Minifix Cam (J) in place by turning with a Phillips Head Screwdriver (not included). (Fig. 3)



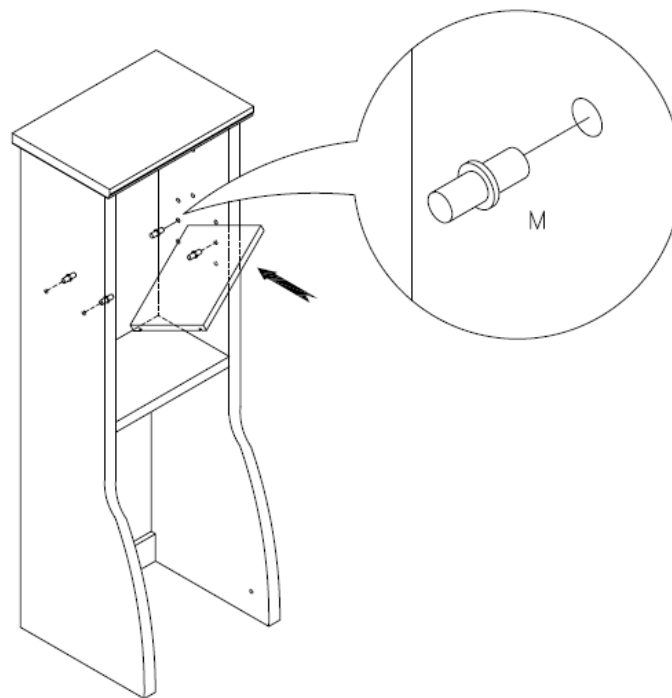
(Fig. 3)

4. Ensure the unit is squared off before starting assembly. Attach the Back Panel (F) to the unit by inserting Screws (L) through the pre-drilled holes of the Back Panel (F) and into the back of the unit. Loosely tighten with a Phillips Head Screwdriver (not included). Do not fully tighten screws until all screws are in place. (Fig. 4)



(Fig. 4)

5. Insert the Shelf Pins (M) into the pre-drilled holes on the interior sides of the Right and Left Side Panels (A & B). Place the Upper Shelf (D) on the Shelf Pins (M). Fig 5

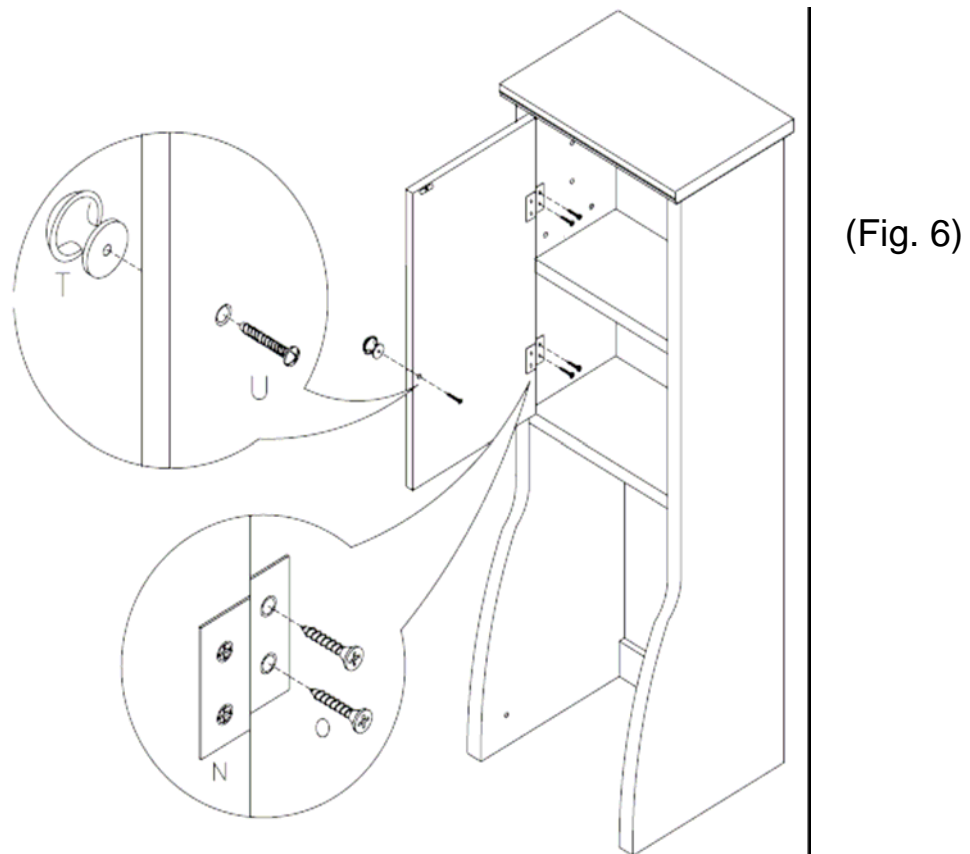


(Fig. 5)

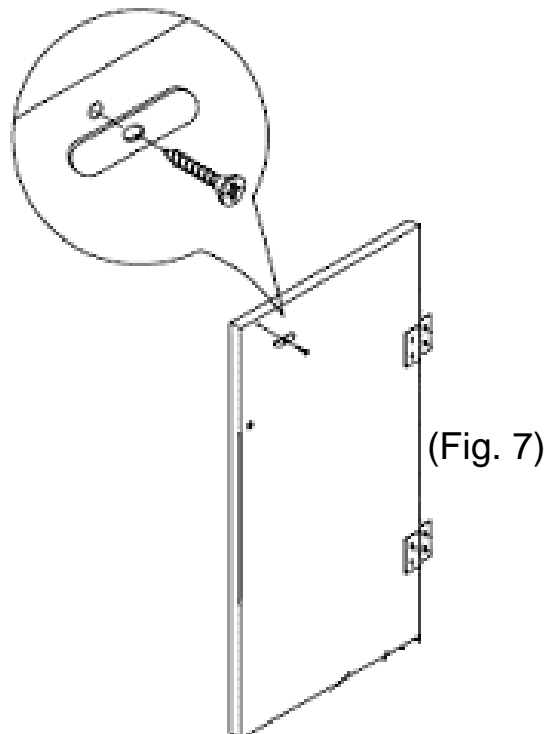
6. This product allows you to choose which way the door opens. The first version is to open from right, and the second is from left. The door in the hutch package is for the first version (open door from right). Please follow step 7 for this version. If you want the second version (open door from left), you need exchange the door with the door from the Madison Cabinet. If you'd like the second version, please skip Step 7 and refer to Steps 8, 9 and 10.

7. Attach Door (H) to the left side of the hutch. NOTE: When positioned correctly, the door's Knob (T) will be in the lower right corner of the door. Align the door's hinge with the pre-drilled holes on the interior left side of the hutch and attach using the Hinge Screw (O). Attach knob (T) to door (H) using screw (U). Fig 6.

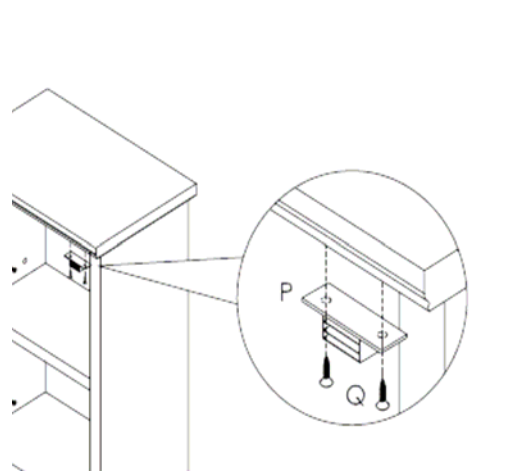
Then skip steps 8, 9 and 10 and continue from step 11.



8. Take the cabinet door from the Madison Cabinet and unscrew the Metal Piece (R) from the door. Fig 7

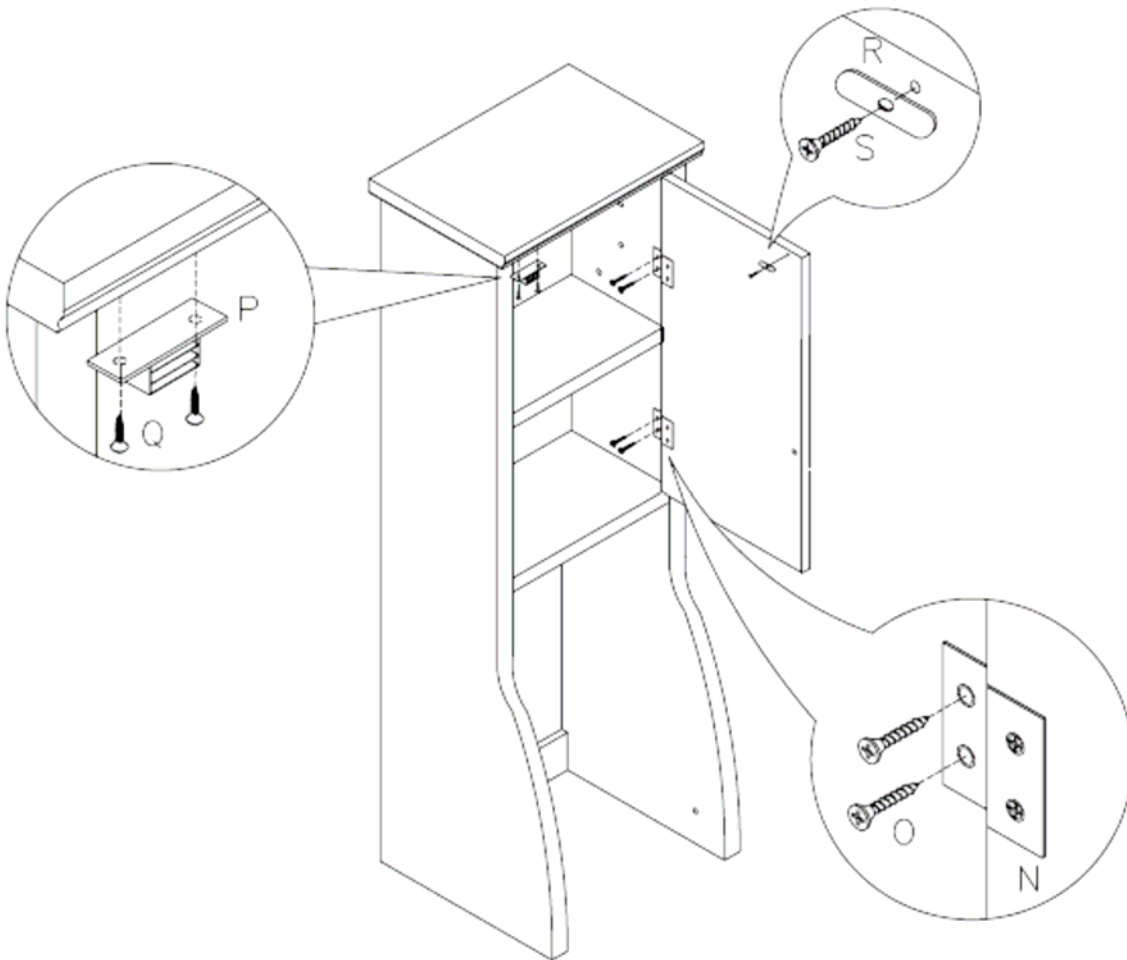


9. Unscrew the Magnet (P) from the hutch top. Fig 8



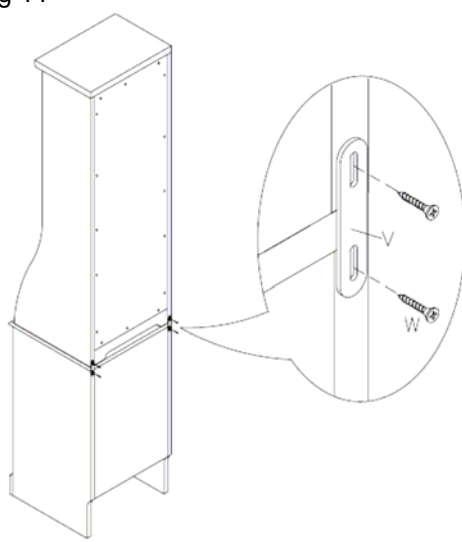
(Fig. 8)

10. Attach the cabinet's door to the right side of the hutch. NOTE: When positioned correctly, the door's Knob (T) will be in the lower left corner of the door. Align the door's hinge with the pre-drilled holes on the interior right side of the hutch and attach using the Hinge Screw (O). Reattach the Metal piece (R) to the door corner by aligning the Metal Piece (R) with the pre-drilled holes on the door's interior and attaching with Screw (S). Reattach the Magnet (P) to the left side of the cabinet top's underside, as shown below. Align the Magnet (P) to the pre-drilled holes on the hutch top's underside and attach with the Screws (Q). Fig.9.



(Fig. 9)

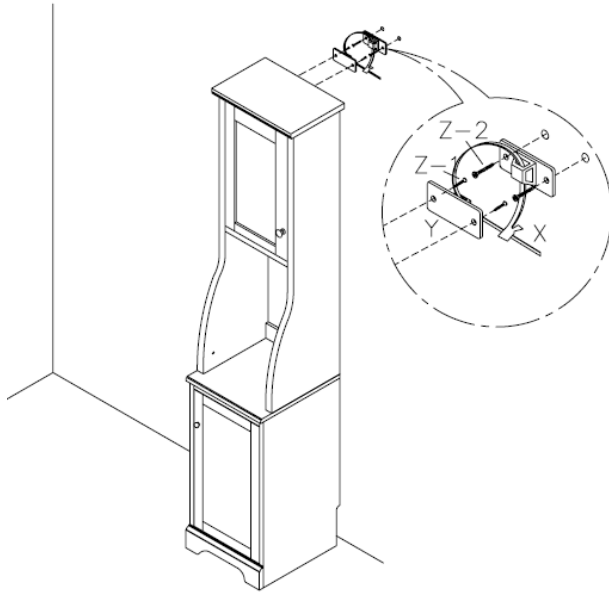
11. Place the hutch on top of cabinet as shown. Secure together by aligning the pre-drilled holes of the Connecting Piece (V) over the pre-drilled holes of the hutch and cabinet. Insert a Screw for Connecting Piece (W) into the pre-drilled holes and tighten. Fig 11



(Fig. 10)

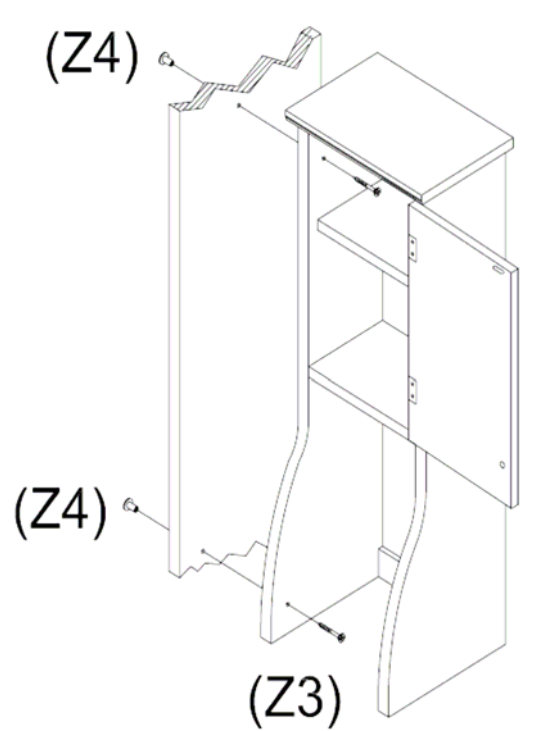
MOUNTING INSTRUCTIONS:

- Attach one of the Mounting Brackets (X) to an area near the top back edge of the furniture using a Short Screw for Product Bracket (Y).
- Determine the final position of the furniture. Mark location on the wall approximately 2" below the Mounting Bracket (X) mounted to the back of the furniture.
- Drill a starter hole into the wall stud. If wall stud is not available, drill a hole into the wall and screw another Mounting Bracket (X) into the wall with a Long Screw for Wall Bracket (Z1).
- Place the furniture so the Mounting Bracket (X) on the back edge is in line with the Mounting Bracket (X) on the wall.
- Lace end of the Nylon Restraint Strap (Z2) down through each Mounting Bracket (X). Bring both ends together and slide the beaded end until it snap locks into the keyhole slot.
- Check to make sure the Nylon Restraint Strap (Z2) is securely laced and locked to the Mounting Brackets (X).



(Fig. 11)

NOTE: You can combine with another product of the series by Sleeve Screw (Z3) and Sleeve Nut (Z4), as shown in below illustration.



CARE INSTRUCTIONS:

- Dust often using a clean, soft, dry lint-free cloth.
- Blot spills immediately, and wipe with a clean, damp, cloth.
- We do not recommend the use of chemical cleansers, abrasives, or furniture polish on our lacquered finish.

Thank you for your purchase
stores | catalog | www.potterybarnkids.com
USA 1.800.290.8181